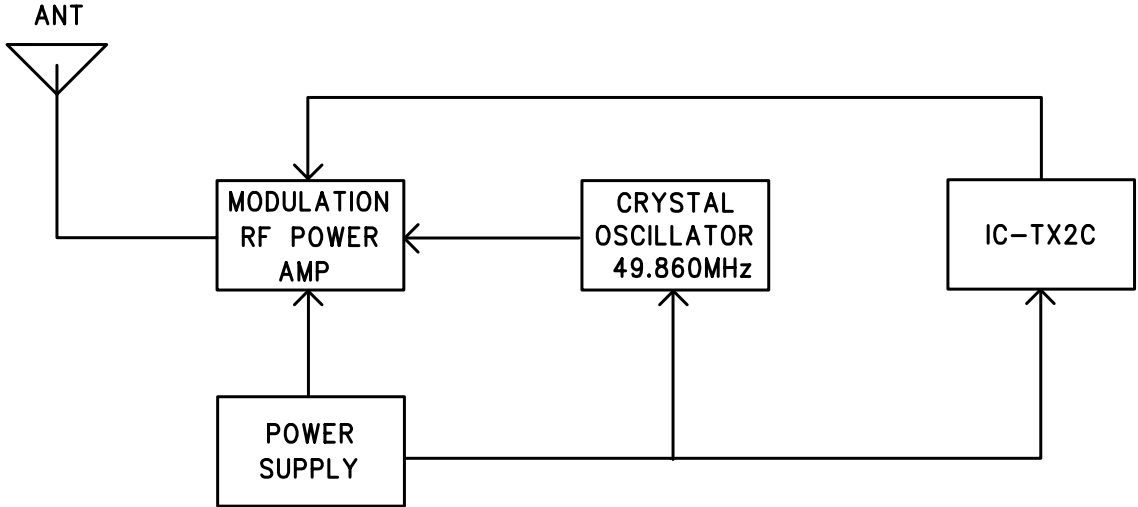


TX 49M Block Diagram

FM cruiser #277095



COB P/N:	KIN YAT Industrial Co.LTD	
MODEL: FM Cruiser RC155		
MODEL NO: #277095		
PCB NO: 80TX155R0-94HB-1	Description: FM Cruiser RC155-TX-49M	
PCBA NO: TX-155-49		
DICE NO:	Page: 1	Rev: v0
Drawn by: zhoushiyong	Issued date: 2004 04 06	