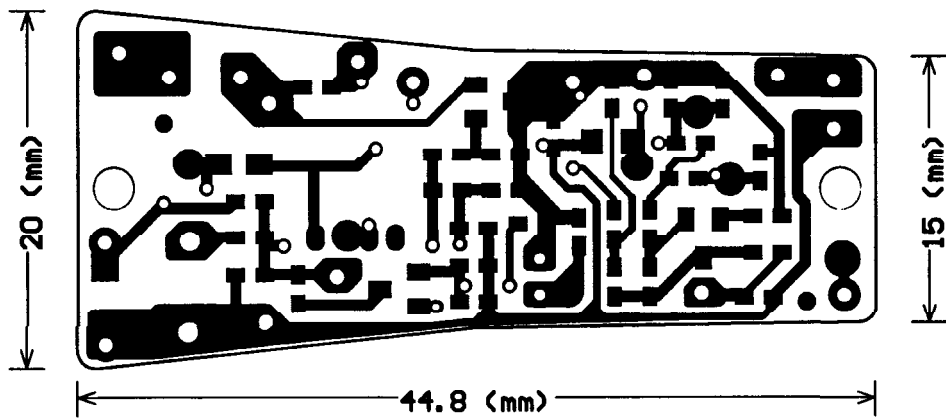
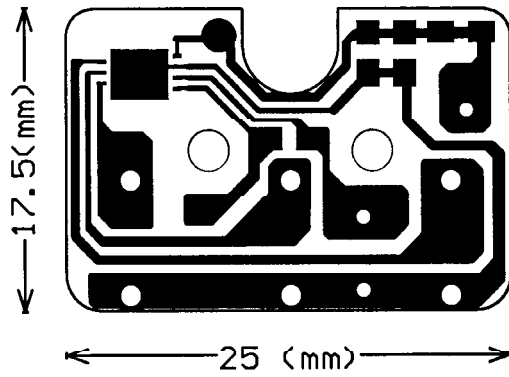


275107.PCB  
Bottom Layer

SCALED TO FIT  
THK:0.8mm

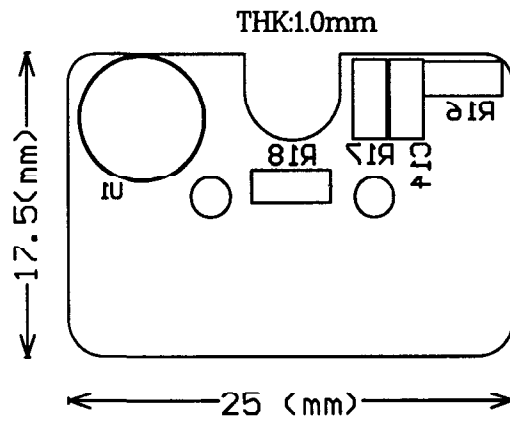
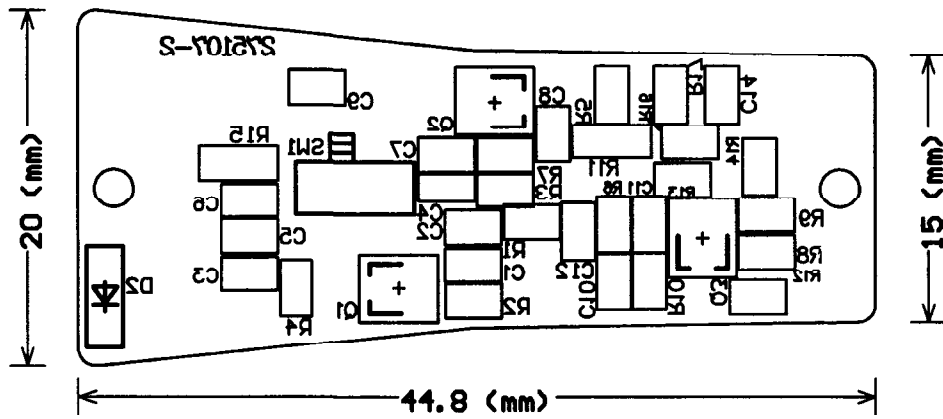


THK:1.0mm



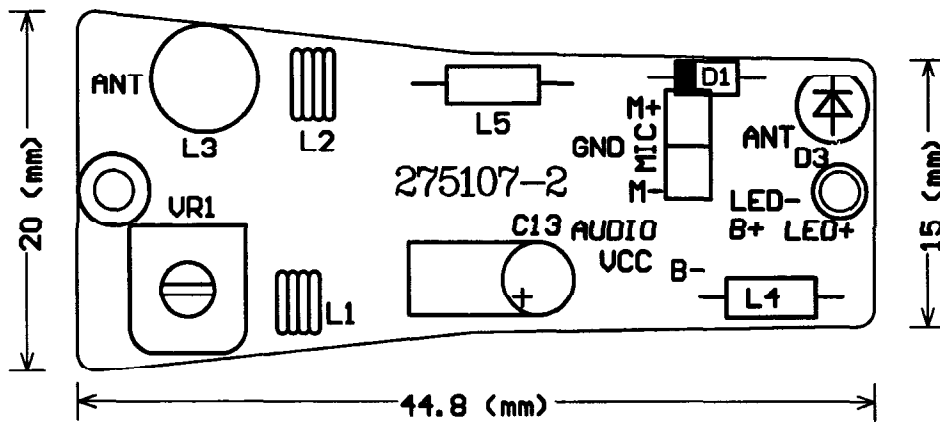
275107.PCB  
Bottom Overlay

SCALED TO FIT  
THK:0.8mm

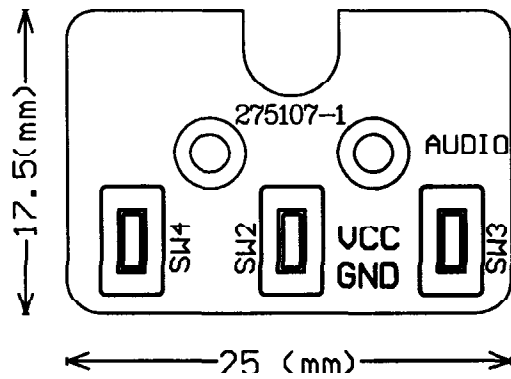


275107.PCB  
Top Overlay

SCALED TO FIT  
THK:0.8mm

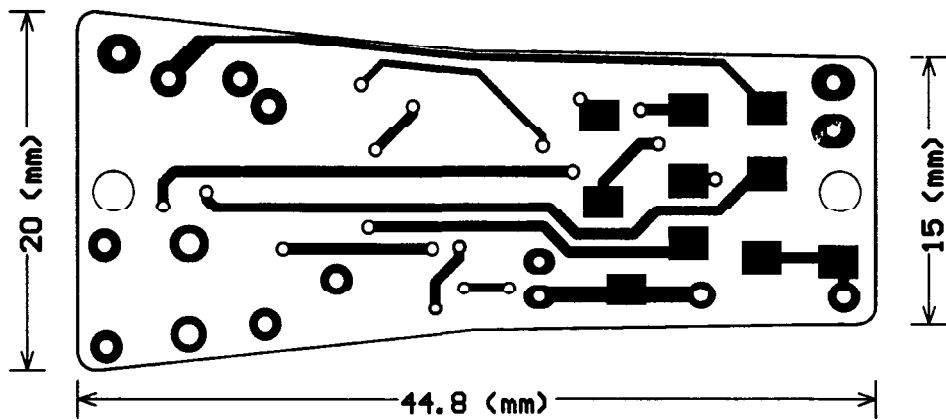


THK:1.0mm



275107.PCB  
Top Layer

SCALED TO FIT  
THK:0.8mm



THK:1.0mm

