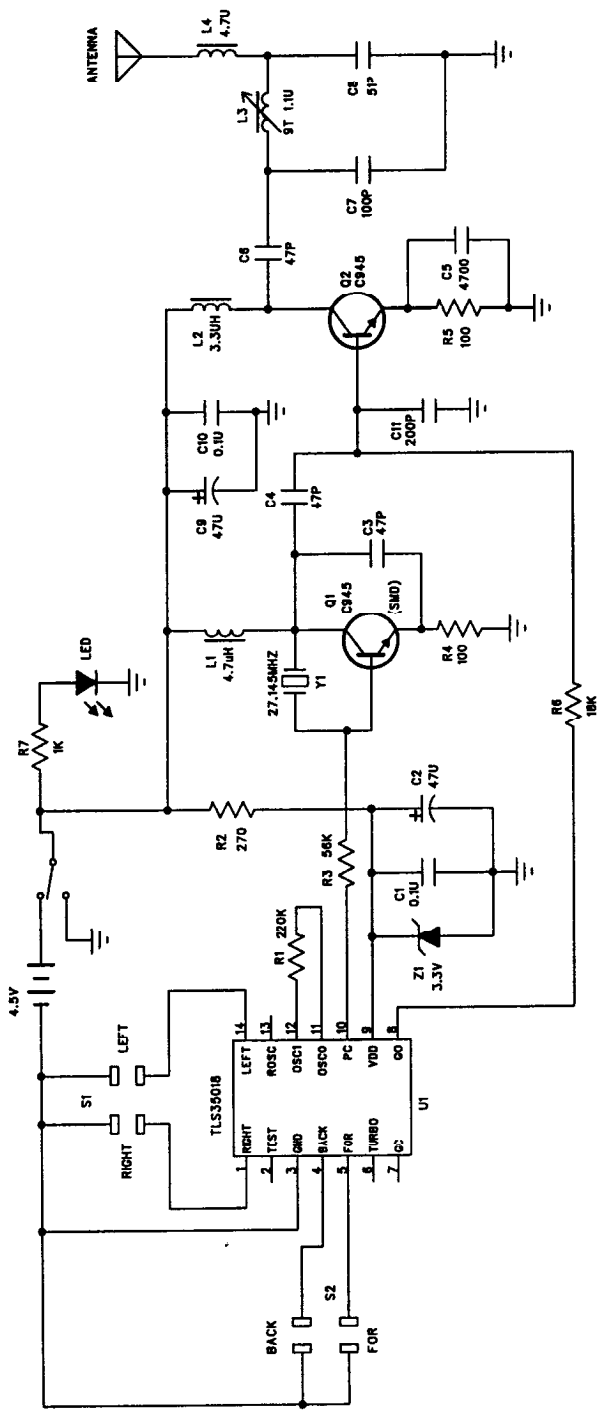


6 5 4 3 2 1

REVISION RECORD		
LTR	ECO NO:	DATE:



COMPANY: WAN SHING ELECTRONICS CO., LTD	
TITLE: 2077 SPIDERMAN CAR-TX SCHEMATIC DIA. (27 MHZ)	
CODE:	DRAWING NO:
SIZE:	REV:
SCALE:	SHEET: OF

DRAWN: X B J	DATED: L C F
CHECKED:	NOV 19 03
QUALITY CONTROL:	DATED:
RELEASED:	DATED:

D C B A