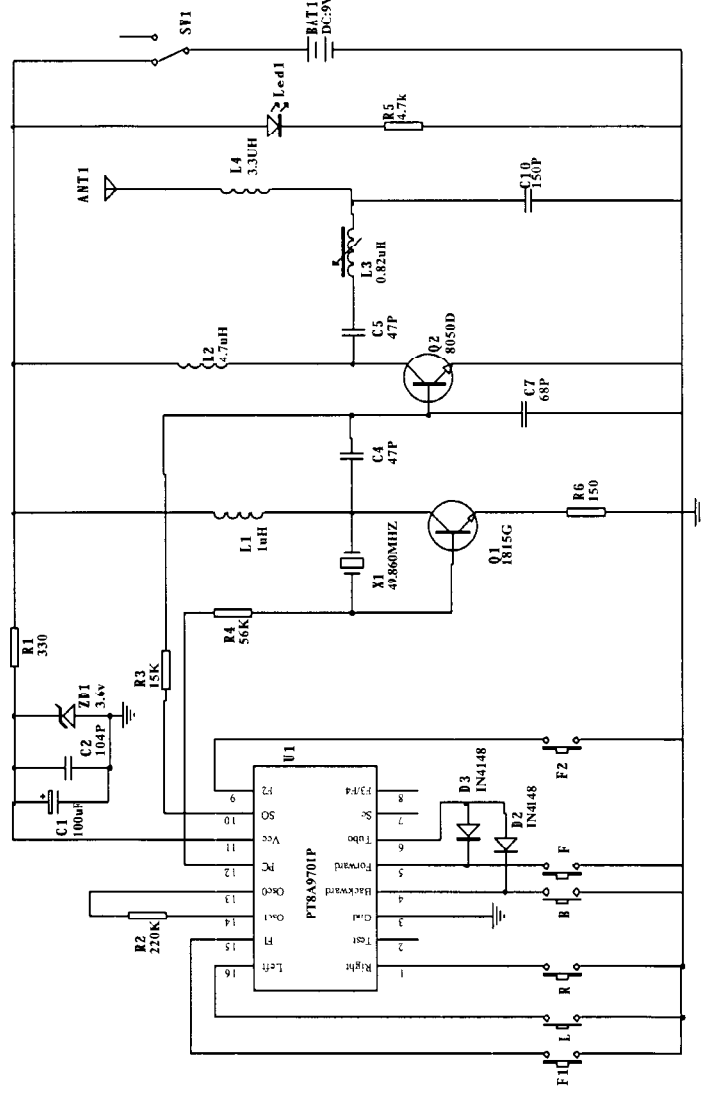


SCHEMATIC DIAGRAM



49.860MHz

	EN-051-01	Rev: A/1
ELECTRONIC DEFS. MFG. CO., LTD.	Page 1	Of 1
Drawn: ZDN	Date: 1-Apr-2003	Date:
Checked:	Date:	Date:
Approved:	Date:	Date:

Product Number: 262299
Product Name: SUBMARINE

電氣參數