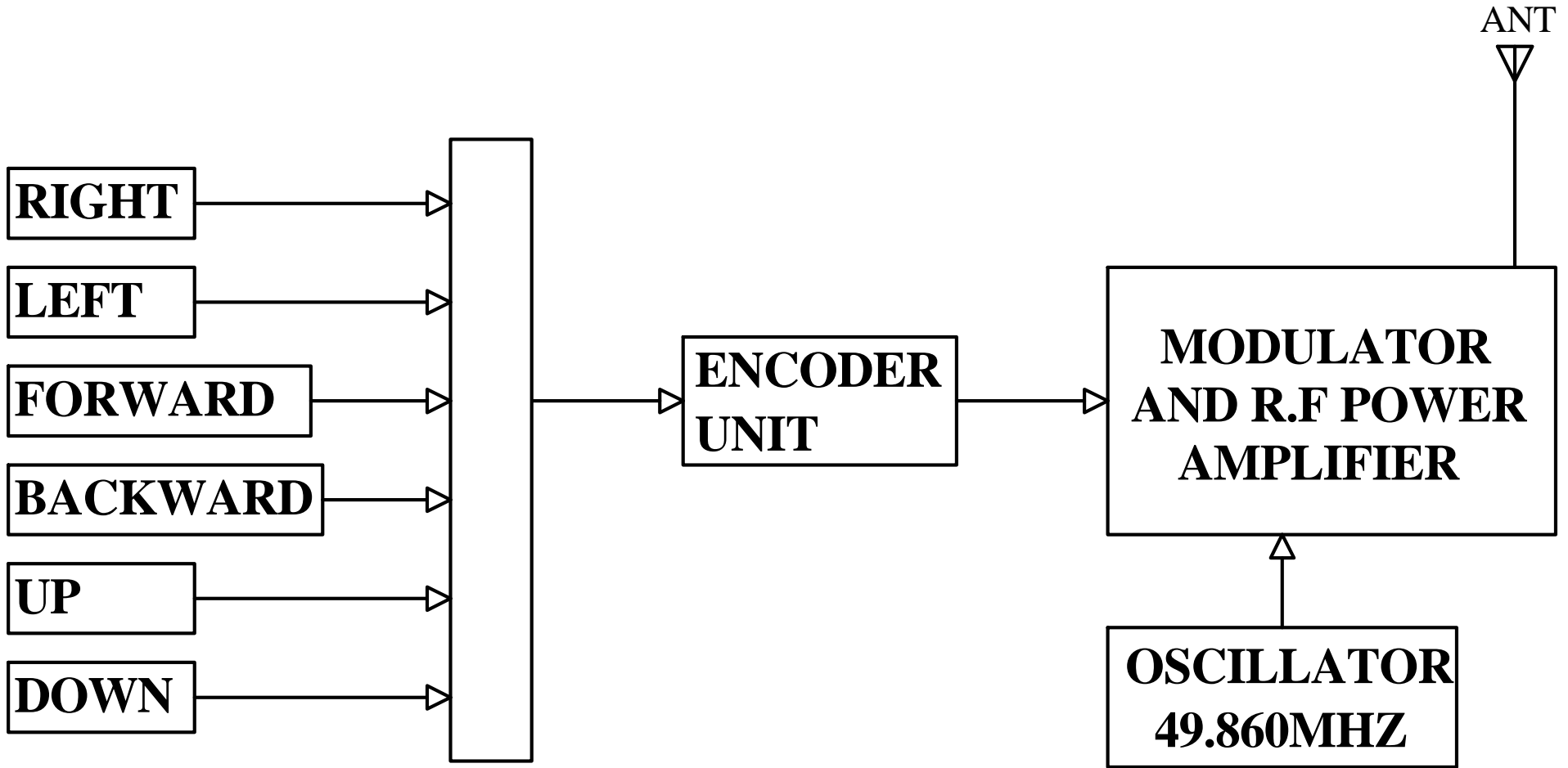


*SCHEMATIC DIAGRAM*



**FUNCTION BLOCK DIAGRAM**

電  
氣  
參  
數

 旭昇 ELECTRONIC TOYS MFR. CO., LTD.	EN-051-01	Rev:
	Page	Of
Drawn:	Date: 16-Apr-2003	
Product Number: 262299	Checked:	Date:
Product Name: SUBMARINE	Approved:	Date:

1

2

3

4

5

6