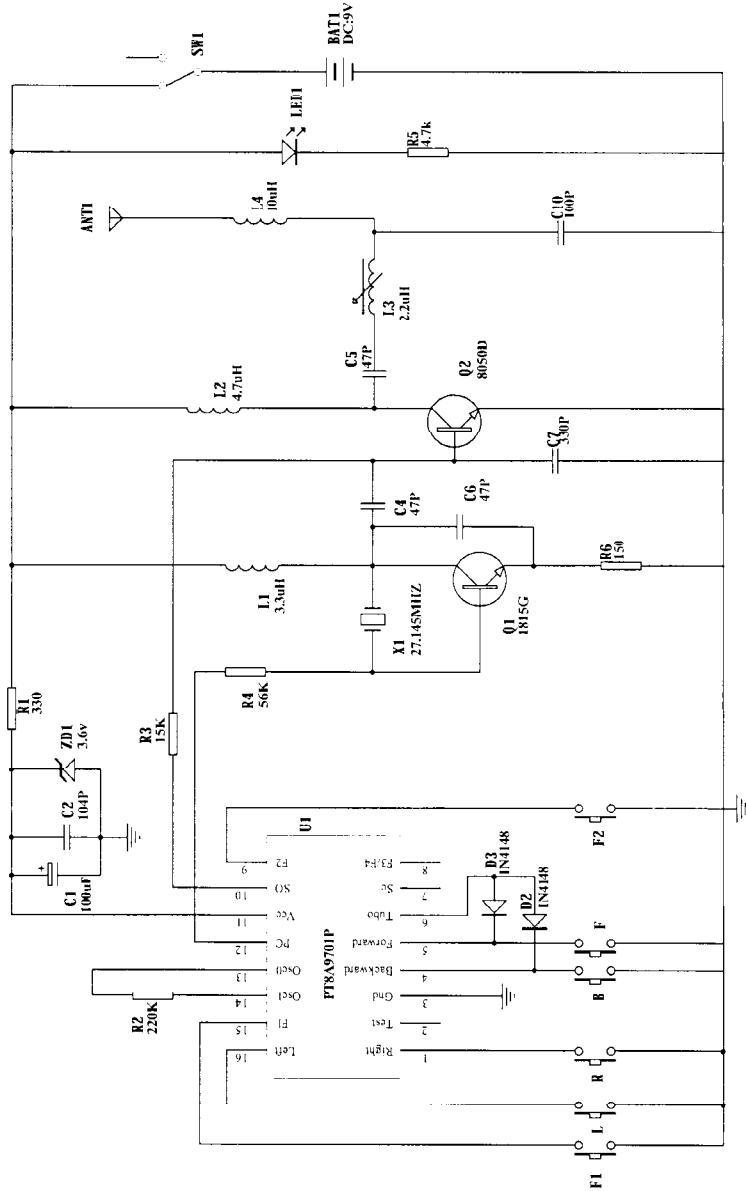


SCHEMATIC DIAGRAM



27.145MHZ

電氣參數

EN-051-01 Rev:A/I
Page 1 Of 1
Drawn: ZDN Date: 27-Mar-2003
Checked: Date:
Approved: Date:

Product Number: 262282
Product Name: SUBMARINE

1 2 3 4 5 6

A B C D