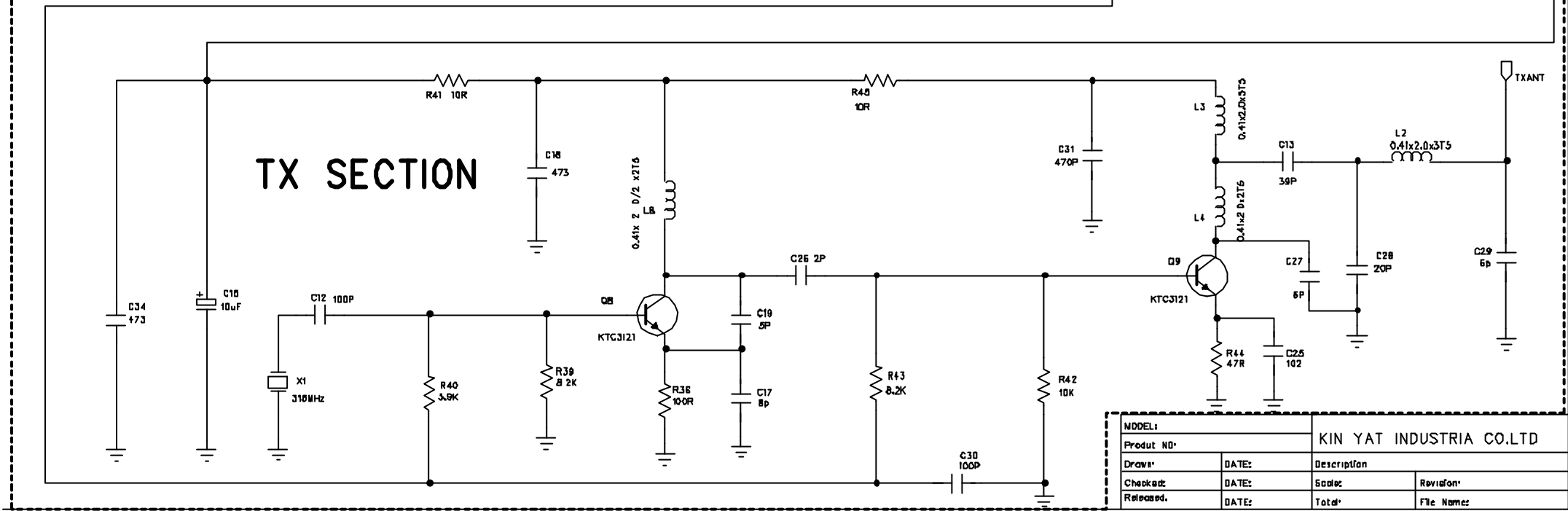
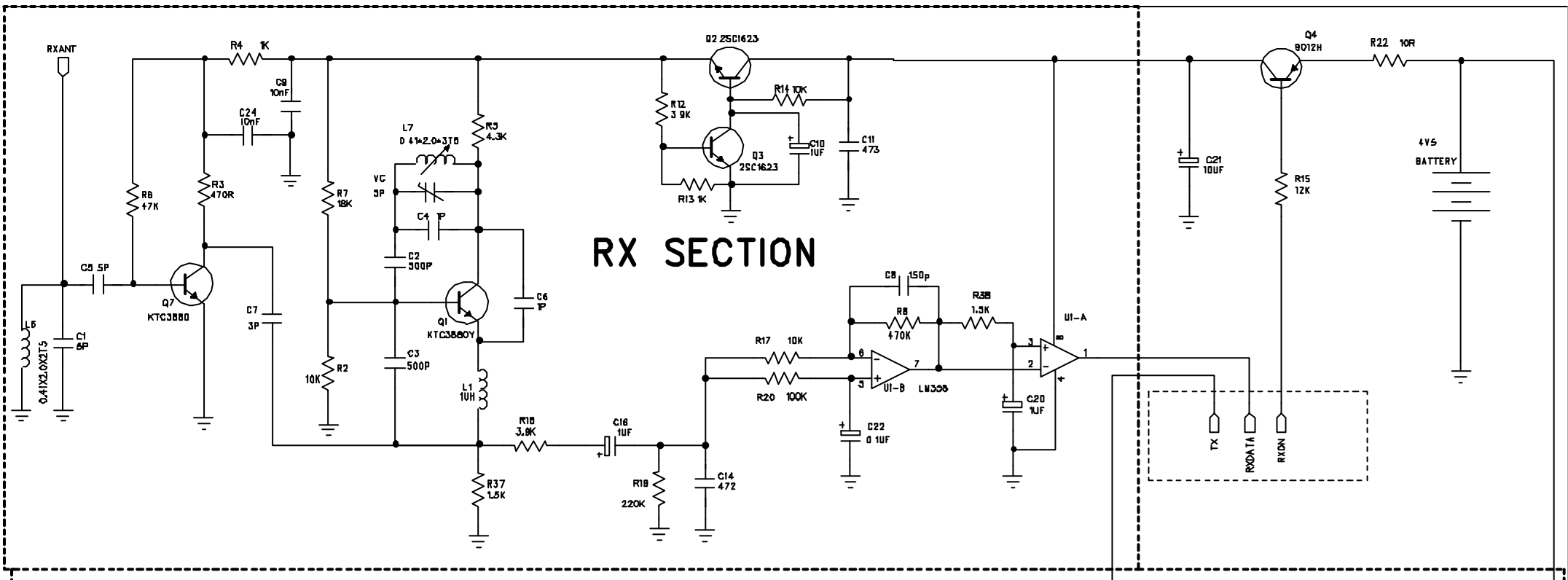


*IC Substrate connect to GND

RF Module

16 x 4 Key Pad

Paragon Electronic Limited	
Title: Instant Messenger	Rev: 01
Project Code: PG - 0 - 099	Sheet: 1/1
File: PG0099.DSN	Date: 16 October, 2002



MODEL:			
Product No:			
KIN YAT INDUSTRIA CO.LTD			
Drawn:	DATE:	Description:	
Checked:	DATE:	Scale:	Revision:
Released:	DATE:	Total:	File Name: