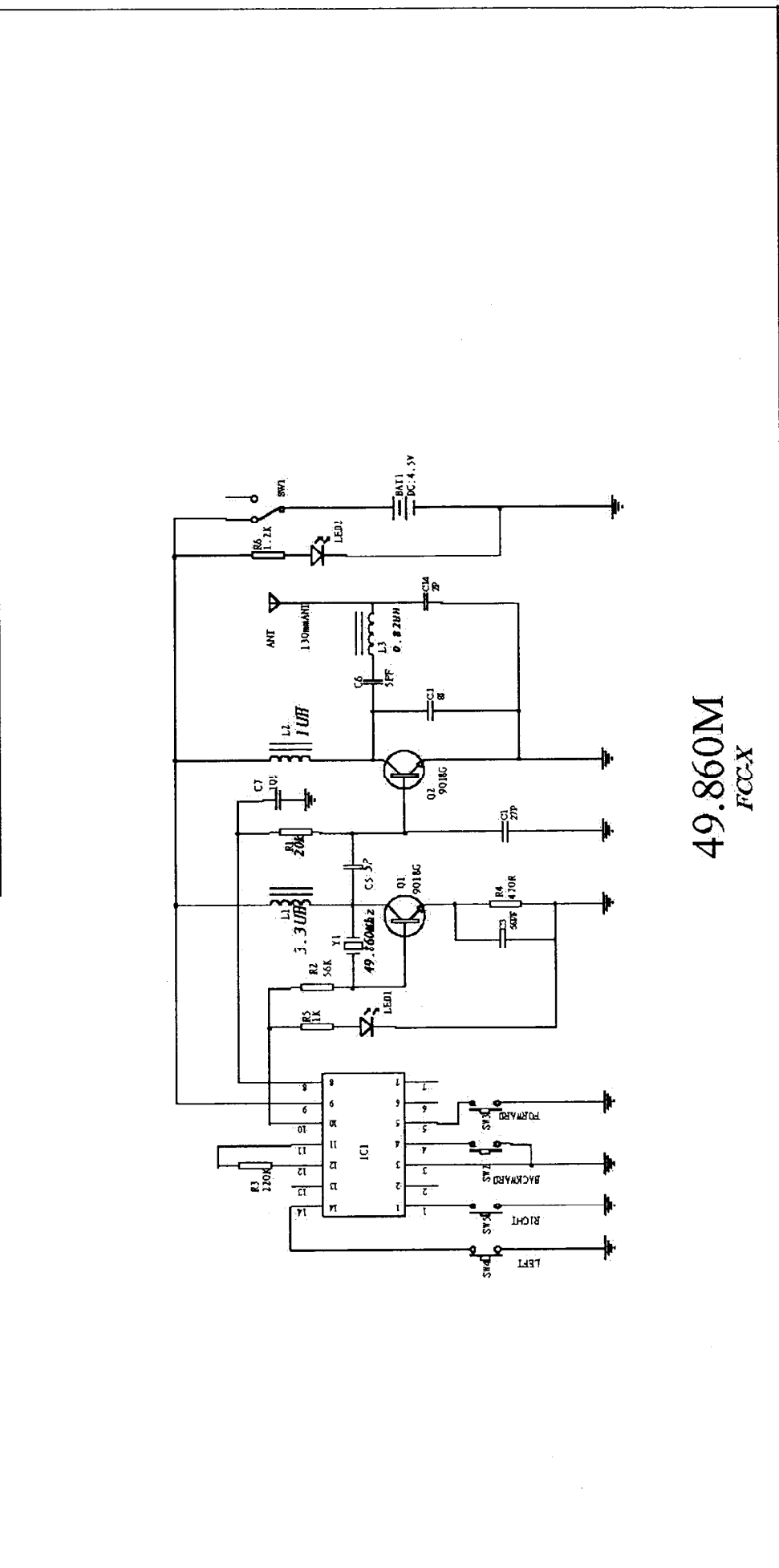


SCHEMATIC DIAGRAM

REV.	DETAIL OF CHANGE	DATE	PREPARED	CHECKED	APPROVED



49.860M
FCC-X

SUNLIGHT ELECTRONIC TOYS MFR. CO. LTD.	
PRODUCT NUMBER: MGA-X	DRAWN: LBC (FCC-X)
PRODUCT NAME: MGA-49M发射	CHECKED:
PAGE 1	OF 1
	APPROVED: