

6

5

4

3

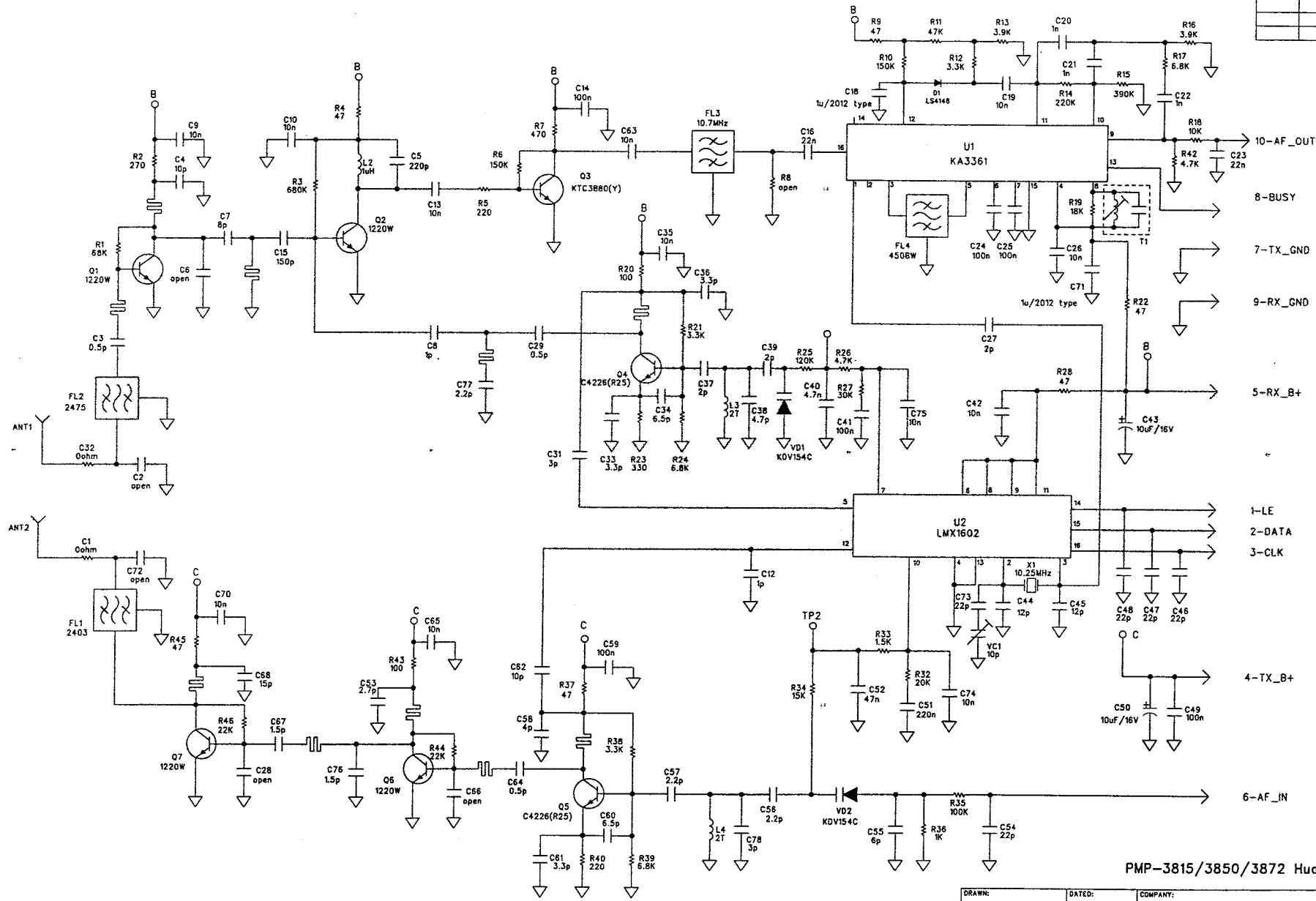
2

1

REVISION RECORD			
LTR	ECO NO:	APPROVED:	DATE:

D
C
B
A

D
C
B

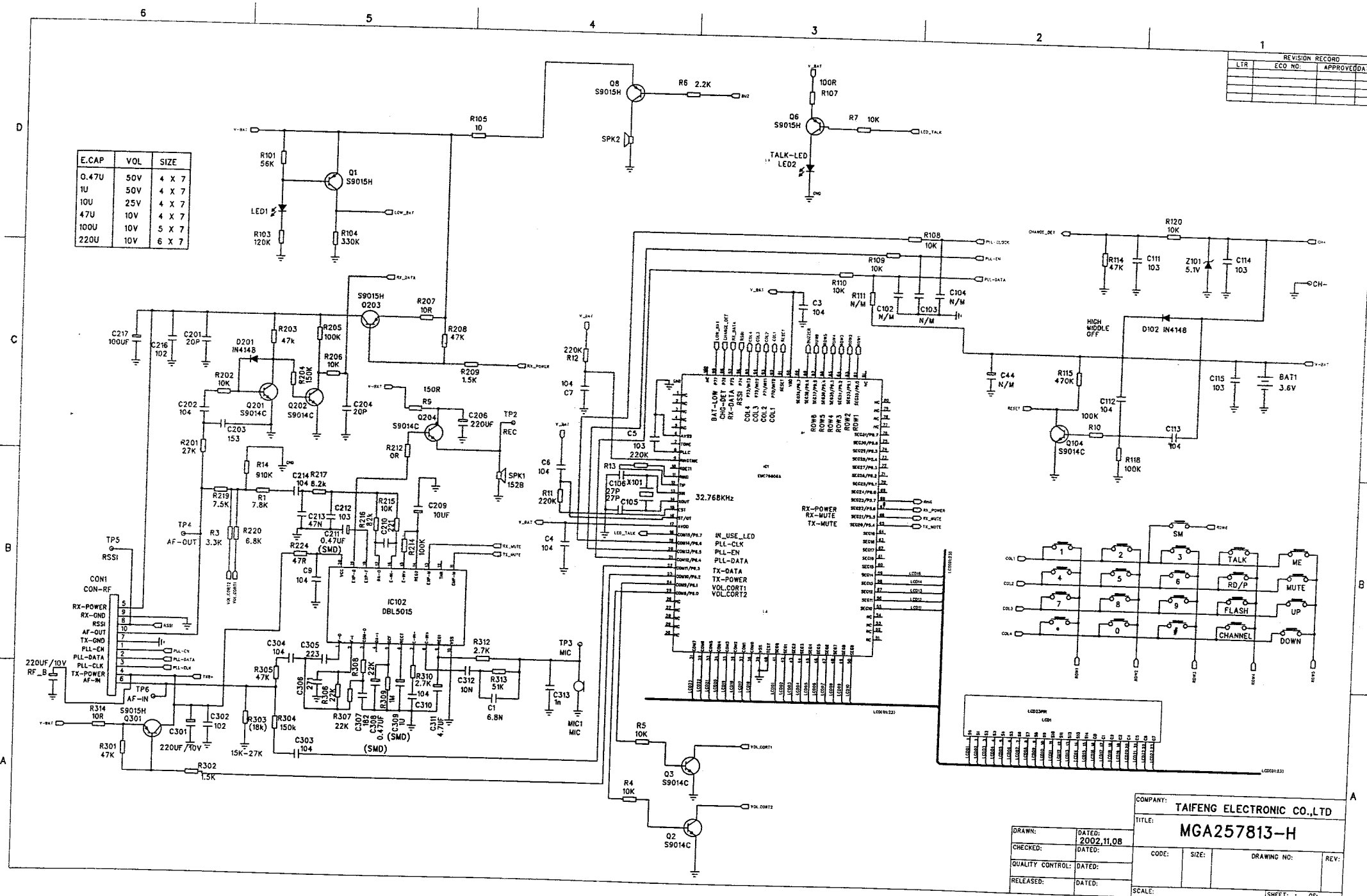


PMP-3815/3850/3872 Huanghuifeng2002/06/03

DRAWN:	DATED:	COMPANY: KOREA TAIFENG CO.,LTD.	
CHECKED:	DATED:	TITLE: BASE RFMODULE (2.4GHz) - G24RFB4	
DESIGNED:	DATED:	CODE:	SIZE:
THOMAS PARK	DATED:	DRAWING NO.:	REV: 02
RELEASED:	DATED:	DATE: 14.Nov.2001	SHEET: 1 OF 1

REVISION RECORD		
LTR	ECO NO.	APPROVED DATE

E.CAP	VOL	SIZE
0.47U	50V	4 X 7
1U	50V	4 X 7
10U	25V	4 X 7
47U	10V	4 X 7
100U	10V	5 X 7
220U	10V	6 X 7



DRAWN:	DATED: 2002.11.08
CHECKED:	DATED:
QUALITY CONTROL:	DATED:
RELEASED:	DATED:

COMPANY: TAIFENG ELECTRONIC CO.,LTD	
TITLE: MGA257813-H	
CODE:	SIZE:
DRAWING NO:	REV:
SCALE:	
SHEET: 1 OF 1	

6

5

4

3

2

1

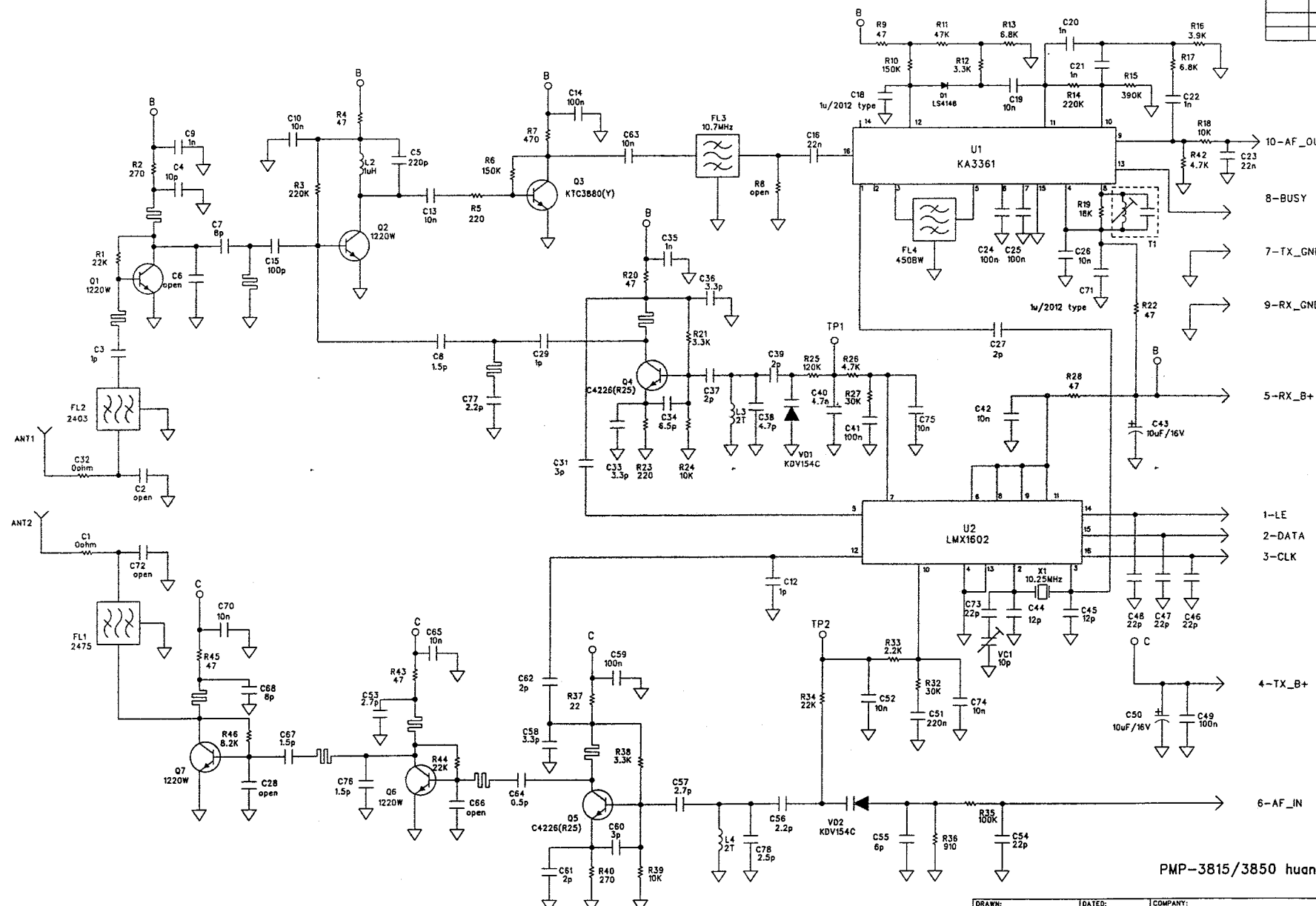
REVISION RECORD			
LTR	ECD NO:	APPROVED:	DATE:

D

C

B

A



- 10-AF_OUT
- 8-BUSY
- 7-TX_GND
- 9-RX_GND
- 5-RX_B+
- 1-LE
- 2-DATA
- 3-CLK
- 4-TX_B+
- 6-AF_IN

PMP-3815/3850 huanghuifeng2002/06/03

DRAWN:	DATED:	COMPANY:	
CHECKED:	DATED:	KOREA TAIFENG CO.,LTD.	
DESIGNED:	DATED:	TITLE:	REV:
THOMAS PARK		HAND RFMODULE (2.4GHz) - G24RFH4	02
RELEASED:	DATED:	CODE:	DRAWING NO:
DATE: 14.Nov.2001		SHEET: 1 OF 1	