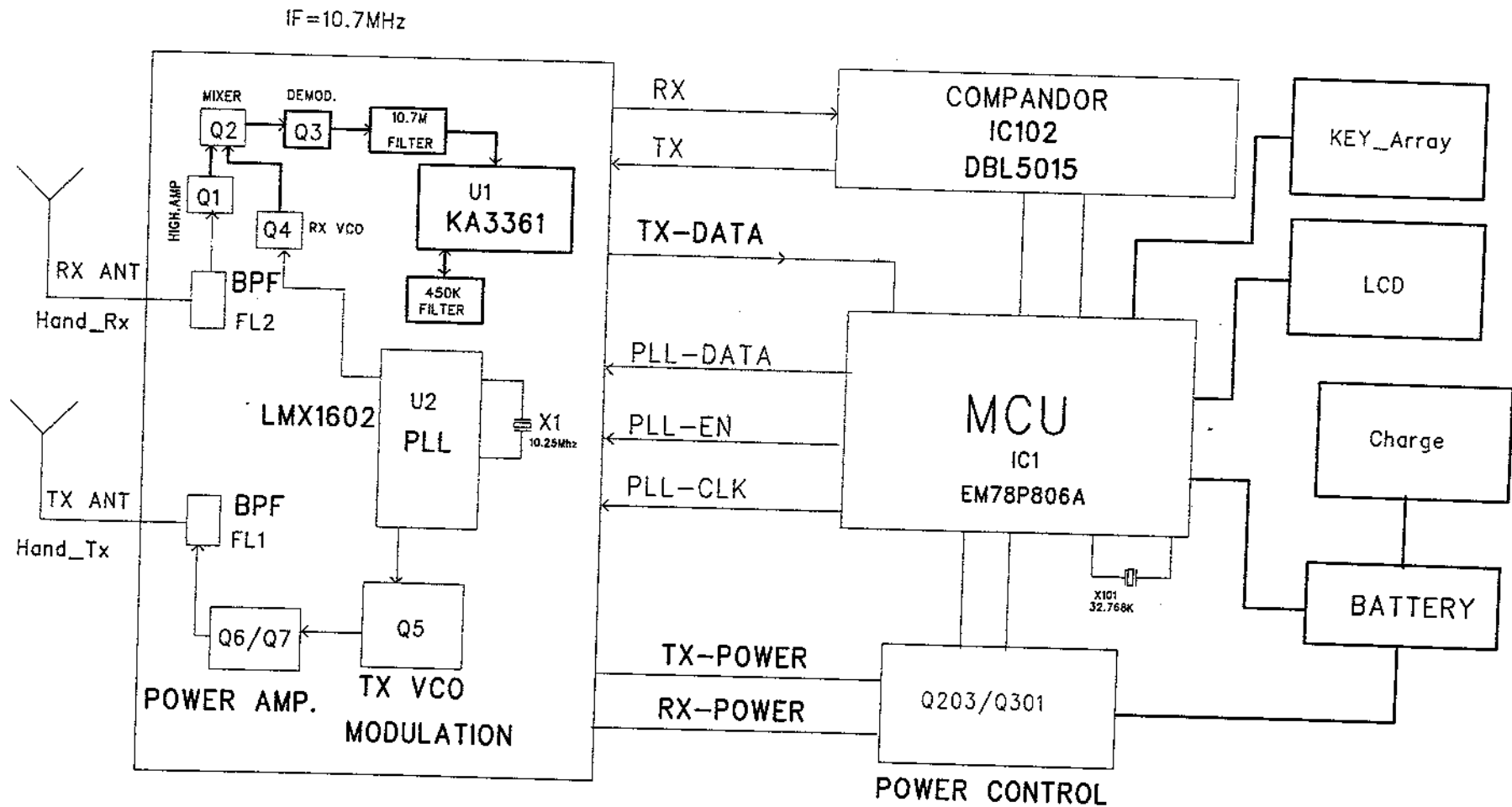


RF MODULE

Fcc part 15 Reference Frequency Table.

DRAWN:		DATED:		COMPANY: SHENZHEN TAIFENG ELECTRONICS			
CHECKED:		DATED:		TITLE: MGA2576J3_BASE			
QUALITY CONTROL:		DATED:		CODE:	SIZE:	DRAWING NO:	REV:

# RF MODULE

*Fcc part 15 Reference Frequency Table*

COMPANY: SHENZHEN TAIFENG ELECTRONICS			
TITLE: <i>M405714</i> -HANDSET			
DRAWN:	DATED:	CODE:	SIZE:
CHECKED:	DATED:	DRAWING NO:	REV:
QUALITY CONTROL:	DATED:		
RELEASED:	DATED:		