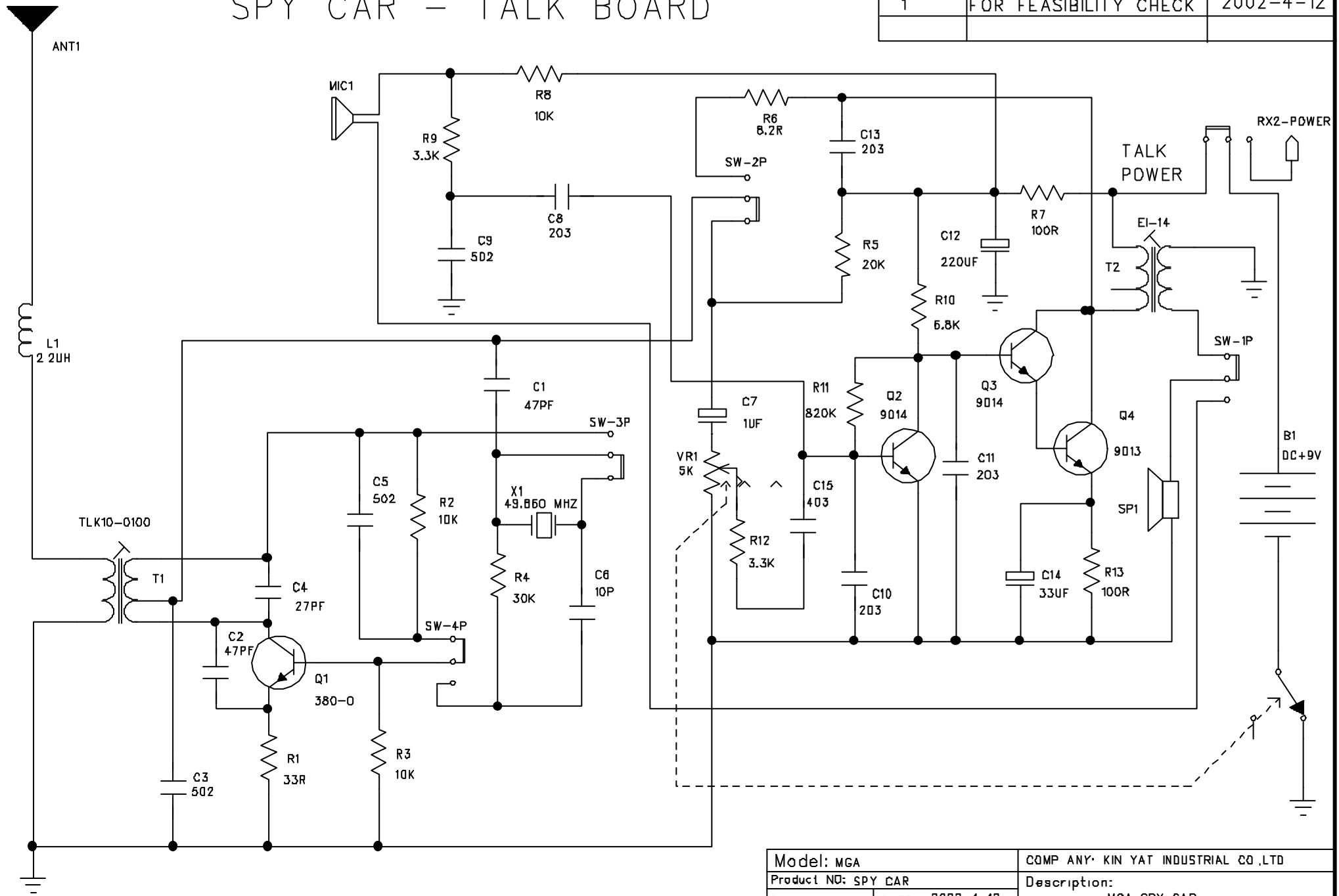


SPY CAR - TALK BOARD

REV	DETAIL OF CHANGES	DATE
1	FOR FEASIBILITY CHECK	2002-4-12



Model: MGA		COMP ANY· KIN YAT INDUSTRIAL CO ,LTD	
Product NO: SPY CAR		Description:	
Drawn . P.S.F	DATE. 2002-4-12	MGA SPY CAR	
Checked .	DATE:	Sheet :1/2	REV: R1