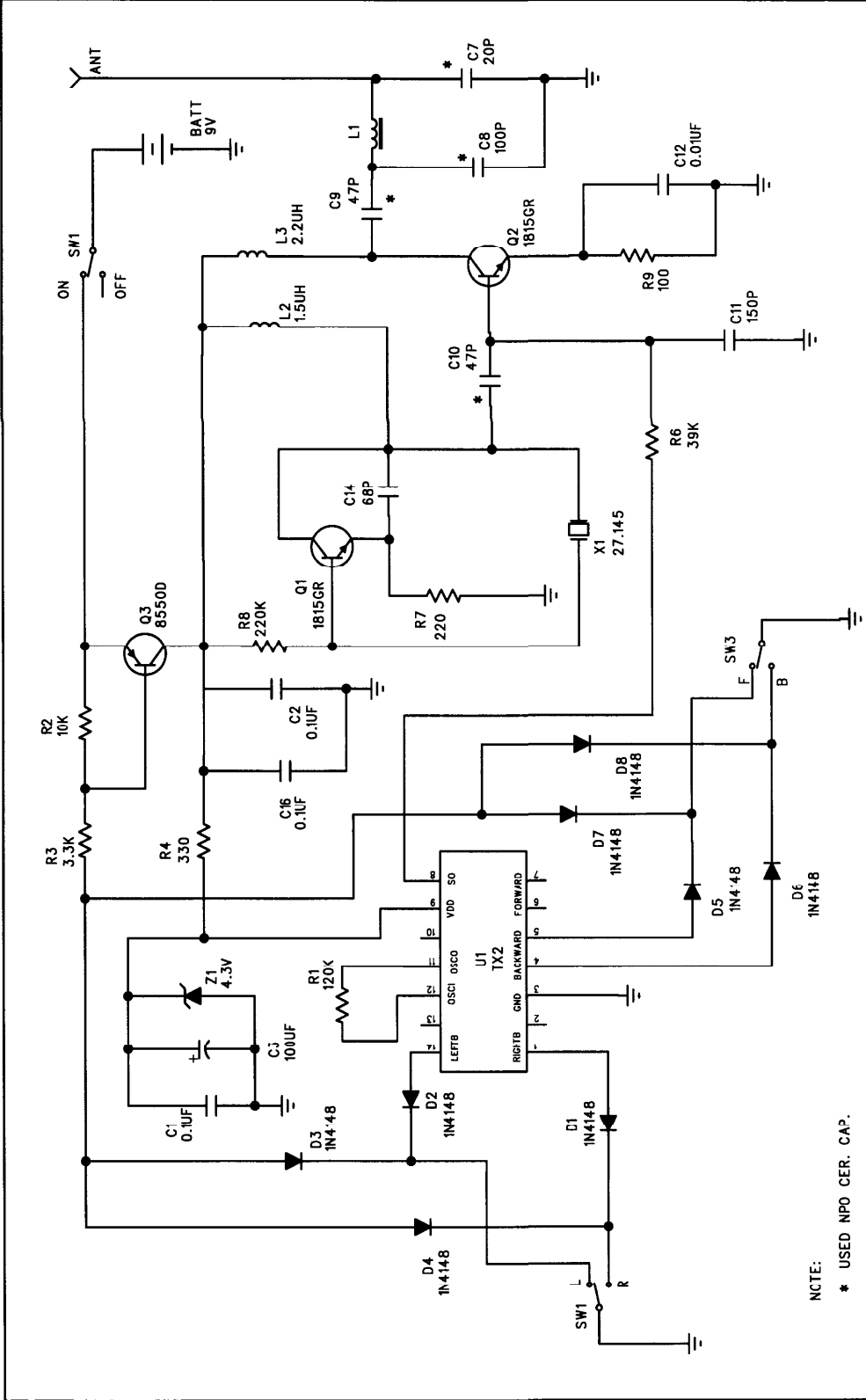


FCC ID: LU9246787



NOTE:
 * USED NPO CER. CAP.

EARLY LIGHT IND.CO.,LTD.	DRAWN BY:	DATE:
TITLE: Schematic Diagram	C.K.HC	
PROJ.NO.:	APPD.BY:	DATE:
PROJ.NAME: REMOTE CONTROL SCOOTERTX	ALAN CHEUK	