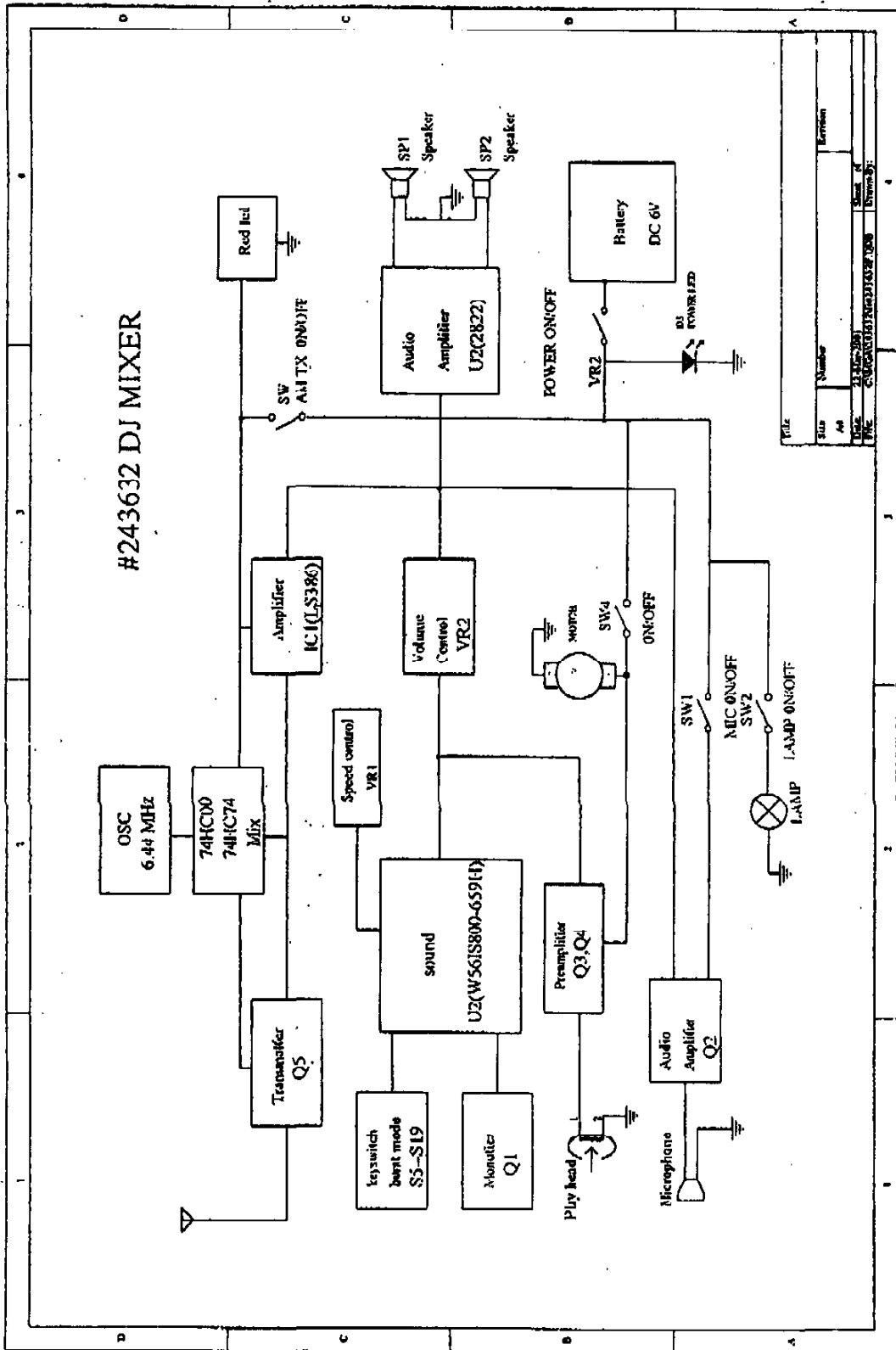


# #243632 DJ MIXER



Title	Rev	Number	Revision
#243632	1	1	
DATE	2000/01/01	DESIGNER	W. J. B. /
FILE	C:\G:\G1017\G1017.DWG	SCALE	1:1
		DRAWN BY	