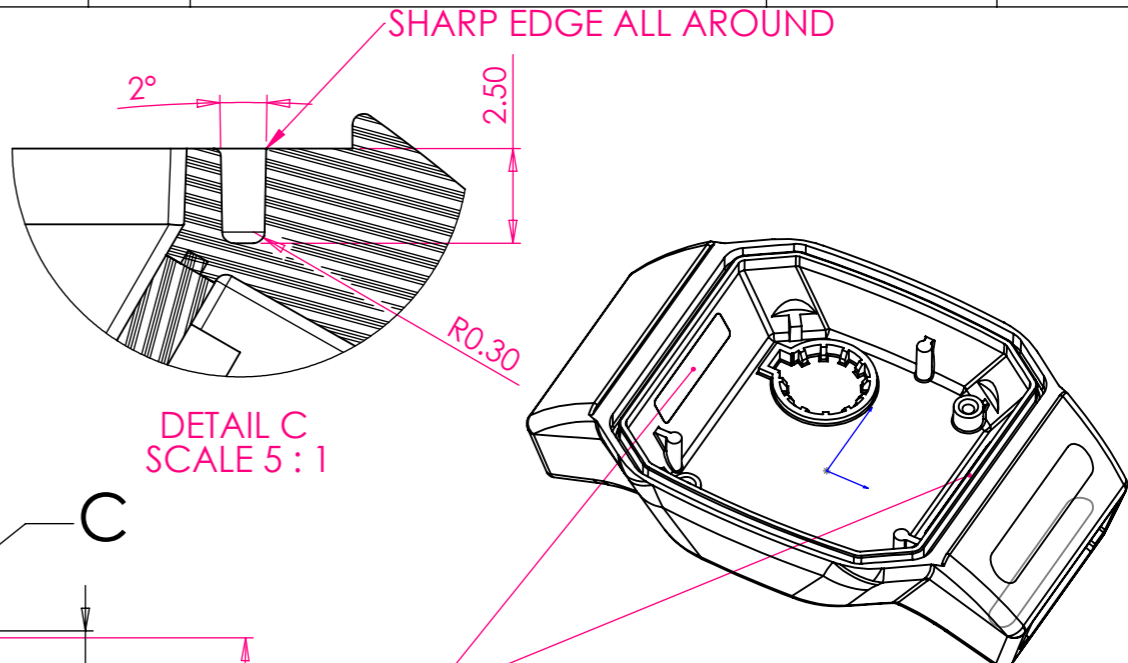
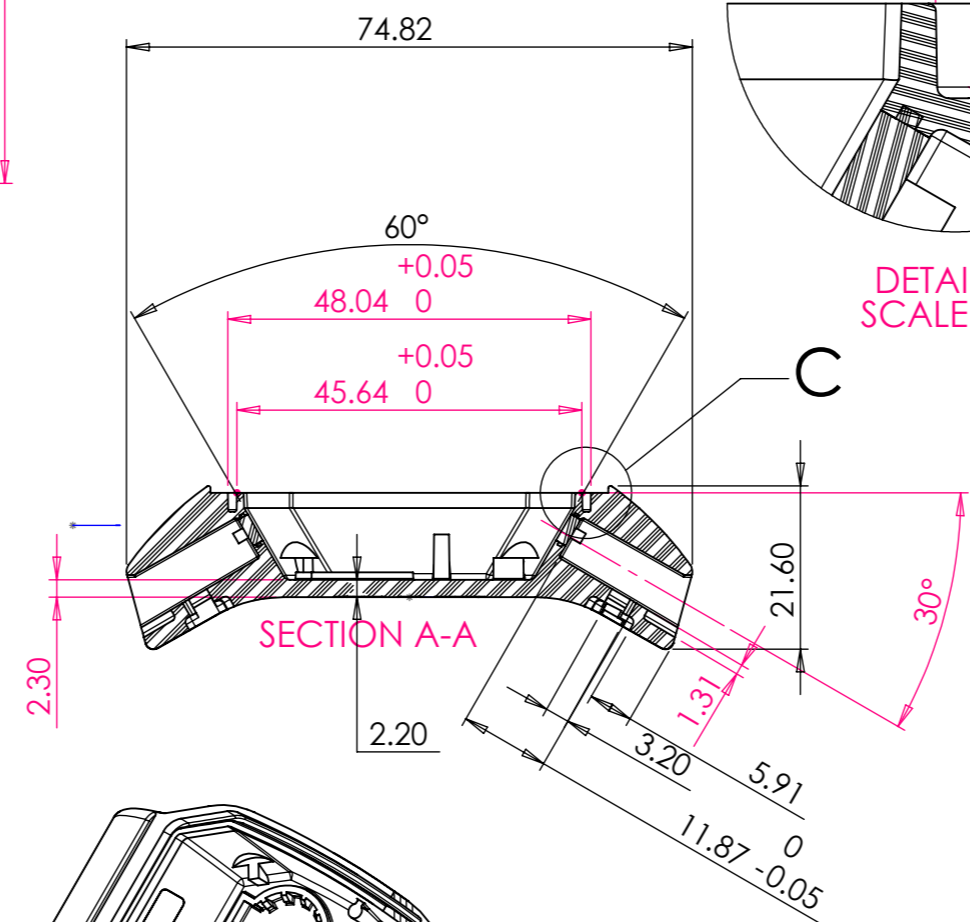
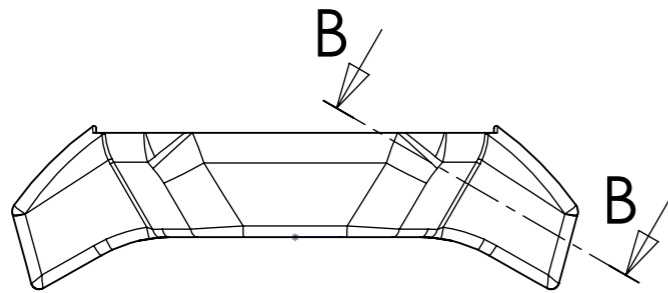
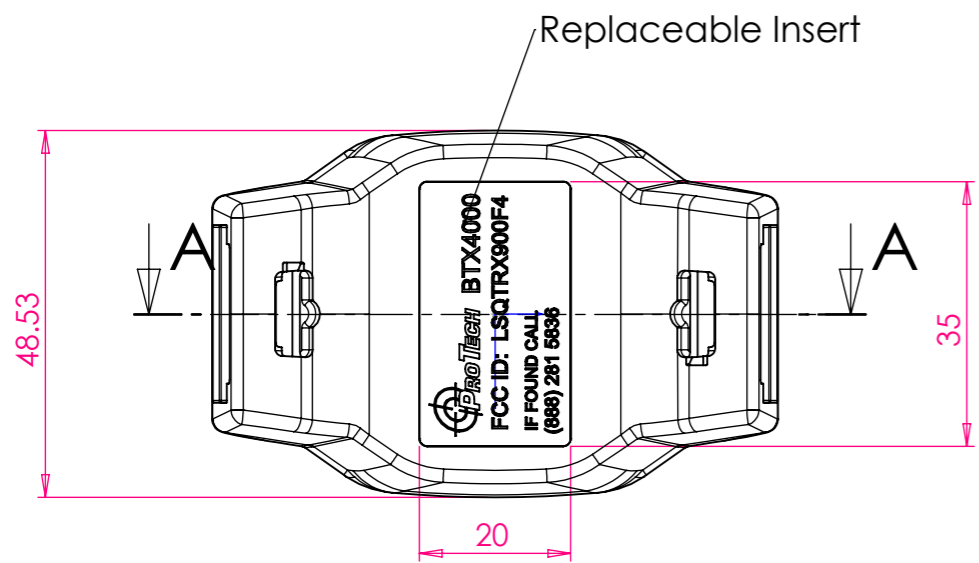
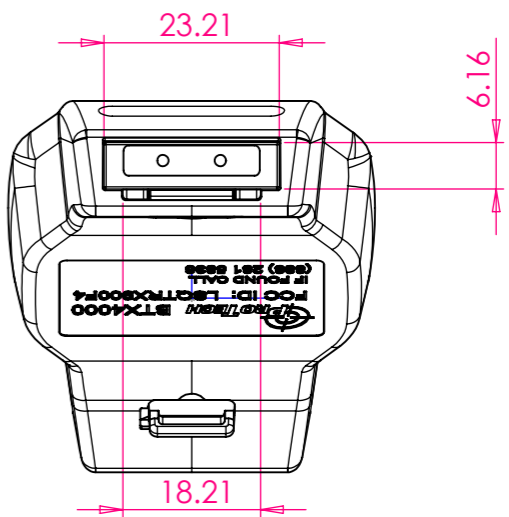
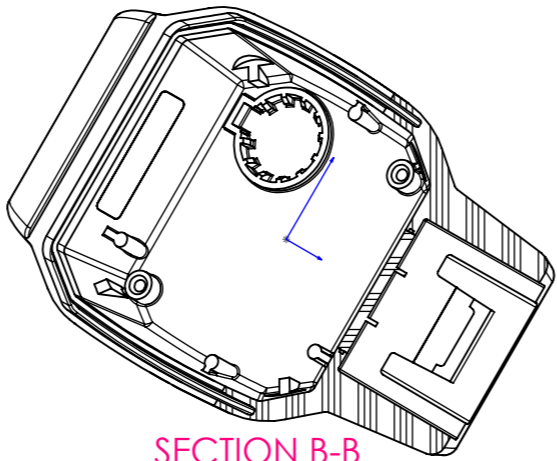
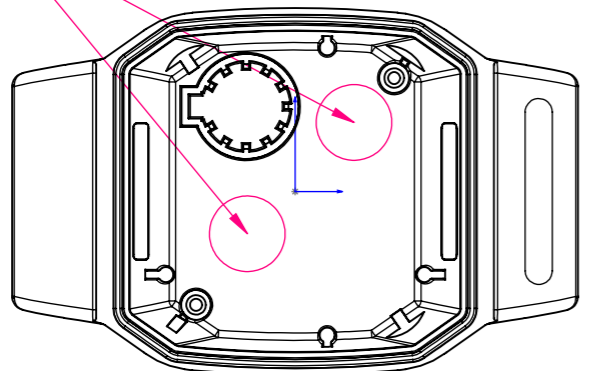


REV.	ECO#	DESCRIPTION	DATE	APPROVED
A00	001134	FIRST RELEASE	29/04/2010	Ron B.
A01	001361	Change the bottom engraving	07/06/2010	RonB

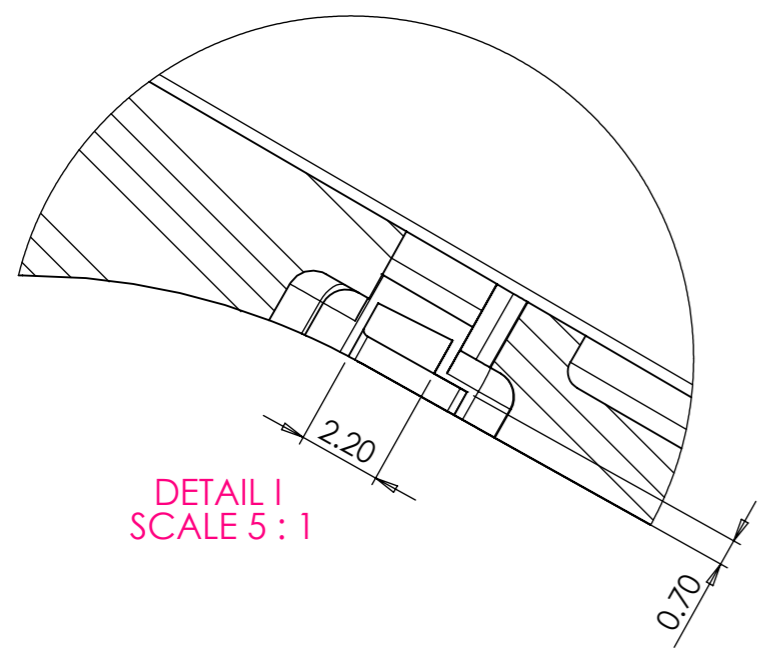
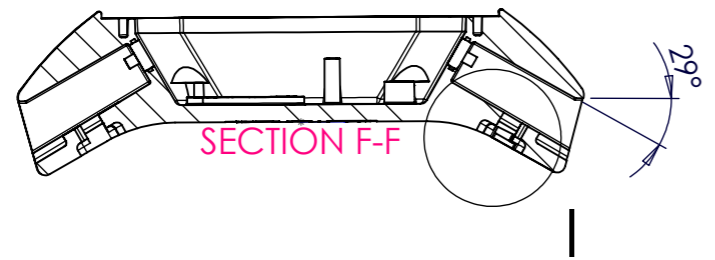
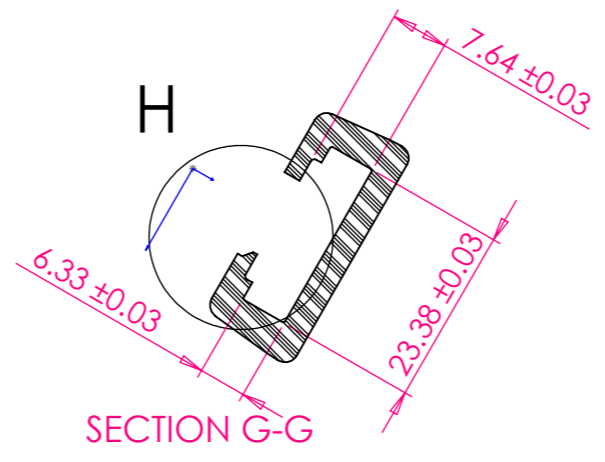
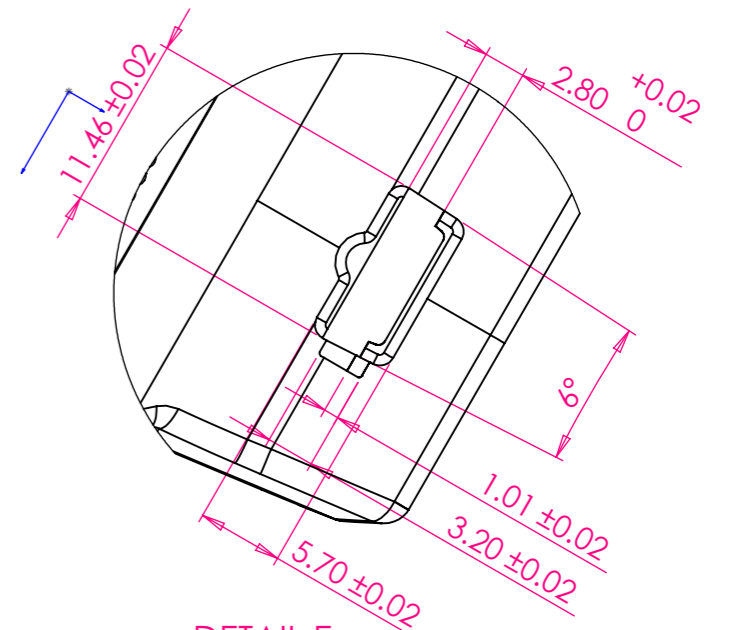
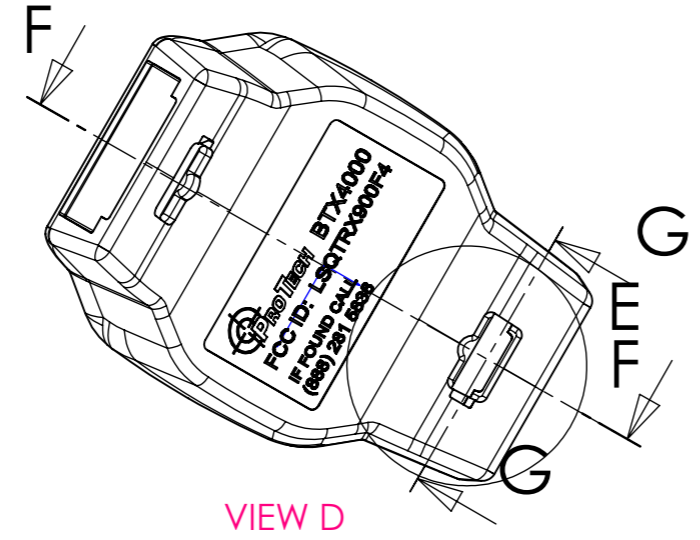
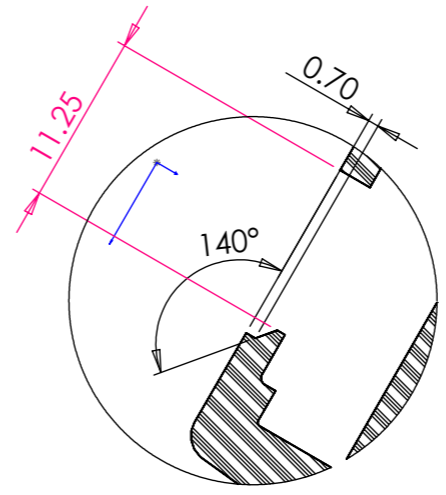
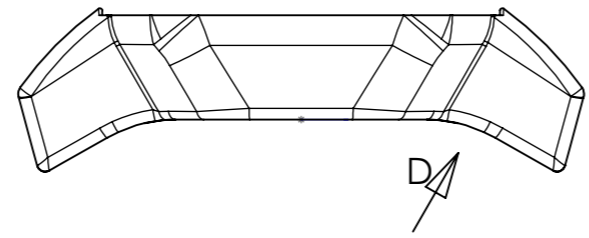


SEE NOTE #10



- NOTES:**
- MATERIAL:
 - PC - GE Lexan 141R-21092
 - PC - 241R
 - COLOR: PMS COOL GREY 10
 - GENERAL WALL THICKNESS: 3 mm
 - GENERAL DRAFT ANGLES: 1°
 - RADII NOT DIMENSIONED: R=0.3 MM.
 - SURFACE TEXTURE
 - Internal : Technical polish
 - External : FINE EDM
 - MATERIAL GATE AND EJECTOR LOCATIONS : SHOULD BE APPROVED BEFORE MOLD CONSTRUCTION.
 - THIS DRAWING IS FOR GENERAL INFO ONLY.
 - USE 3D FILE '32000069' FOR MOULD MAKING.
 - DATE AND RECYCLE MARK
 - MASS : 18.58Gr
 - PART IS OVER MOULDED ON PC WINDOW P/N 32000121

U nless otherwise specified TOLERANCES ARE:		DWG. No.: 32000069		 ELECTRONIC MONITORING TECHNOLOGIES 2 Habrzel St., P.O.Box 13236, Tel Aviv 61132, Israel Tel: +972-3-7671700 Fax: +972-3-7671701 E-mail: engineering@elmotech.com			
DECIMALS	ANGLES	SCALE 1:1					
.0±0.1	.00±0.05	MATERIAL:	See notes	DATE	NAME	SIGN	PROJECT: BTX-900F
.000±0.01	±0.5°	FINISH:	See notes	17/06/2010	llanB	llanB	
DIMENSIONS ARE IN mm UNLESS OTHERWISE SPECIFIED		DRAWN	17/06/2010	llanB	llanB	DESCRIPTION: BTX BOTTOM HOUSING	
DO NOT SCALE DRAWING		DESIGN	17/06/2010	llanB	llanB	P/N 32000069	
		APPR.	17/06/2010	RonB	RonB	REV. A01	
						Status: REL SHEET 1 OF 2 A3	



DETAIL H
SCALE 2 : 1

DETAIL E
SCALE 2 : 1

SECTION G-G

SECTION F-F

DETAIL I
SCALE 5 : 1

VIEW D

U nless otherwise specified
TOLERANCES ARE:
DECIMALS ANGLES
.0± 0.1 .00 ± 0.05 ± 0.5°
.000 ± 0.01

DWG. No.: 32000069

SCALE	1:1		
DRAWN	17/06/2010	IlanB	IlanB
DESIGN	17/06/2010	IlanB	IlanB
APPR.	17/06/2010	RonB	RonB

ElmoTech LTD
ELECTRONIC MONITORING TECHNOLOGIES
2 Habrzel St., P.O.Box 13236, Tel Aviv 61132, Israel
Tel: +972-3-7671700 Fax: +972-3-7671701
E-mail: engineering@elmotech.com

MATERIAL: See notes
FINISH: See notes
DIMENSIONS ARE IN mm
UNLESS OTHERWISE SPECIFIED

PROJECT: BTX-900F
DESCRIPTION:
BTX BOTTOM HOUSING
P/N 32000069

REV. A01

DO NOT SCALE DRAWING