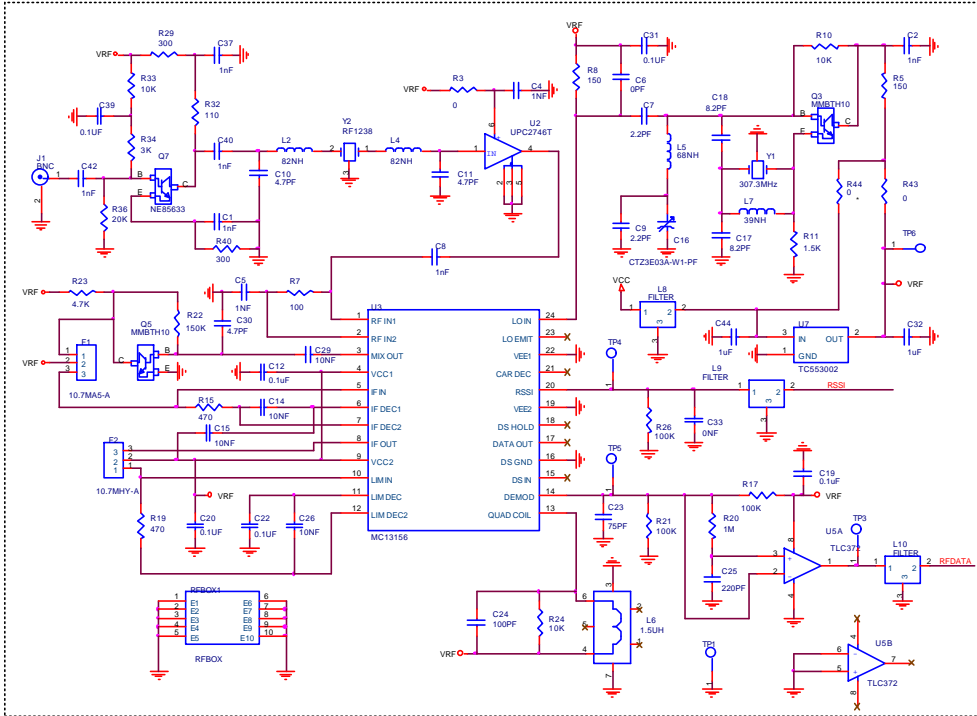
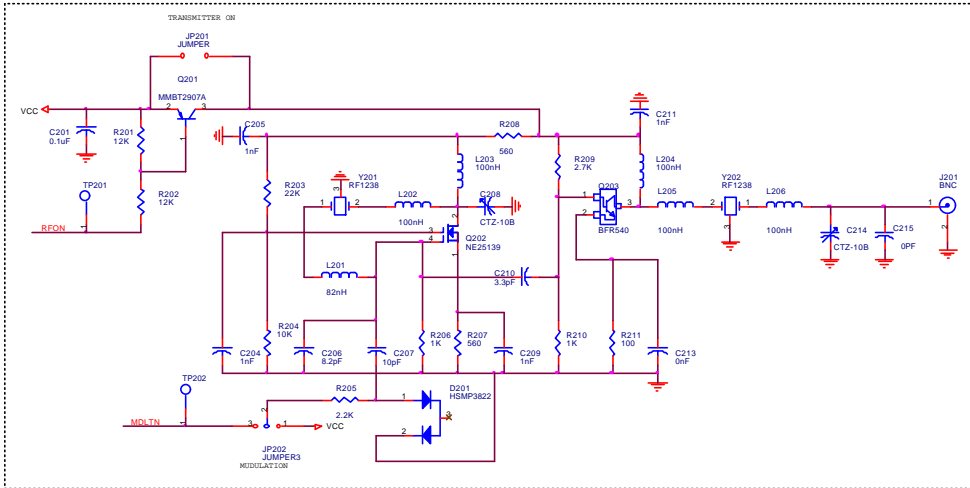


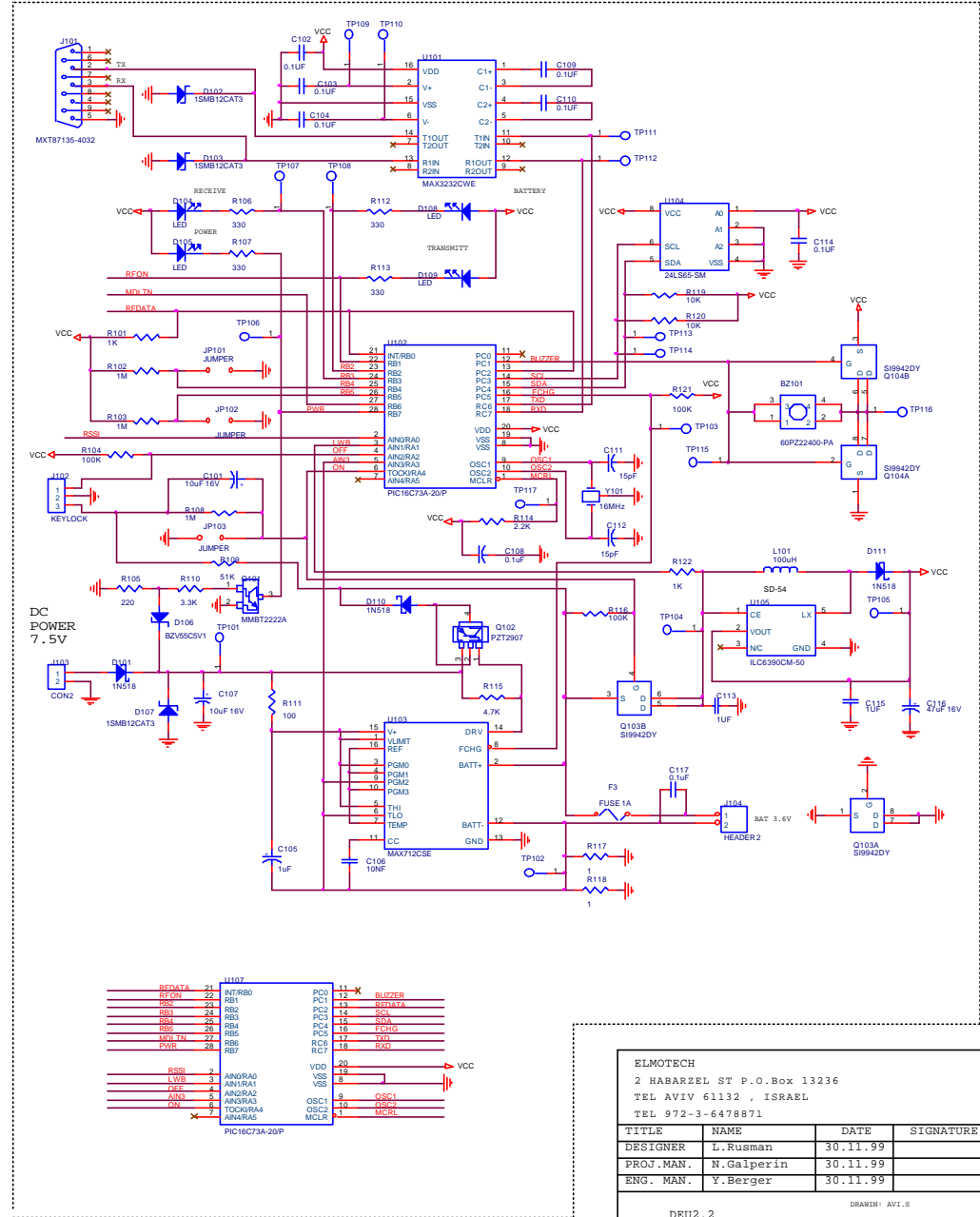
# RECEIVER FM 318MHz



# Tx



# CPU



ELMOTECH			
2 HABARZEL ST P.O.Box 13236			
TEL AVIV 61132, ISRAEL			
TEL 972-3-6478871			
TITLE	NAME	DATE	SIGNATURE
DESIGNER	L. Rusman	30.11.99	
PROJ. MAN.	N. Galperin	30.11.99	
ENG. MAN.	Y. Berger	30.11.99	
DEU2.2			DRAWN: AVI.S
Size	Document Number	Rev	
A2		02	
Date	Monday, November 8, 1999	Sheet	1 of 1