

# DCU Block Diagram

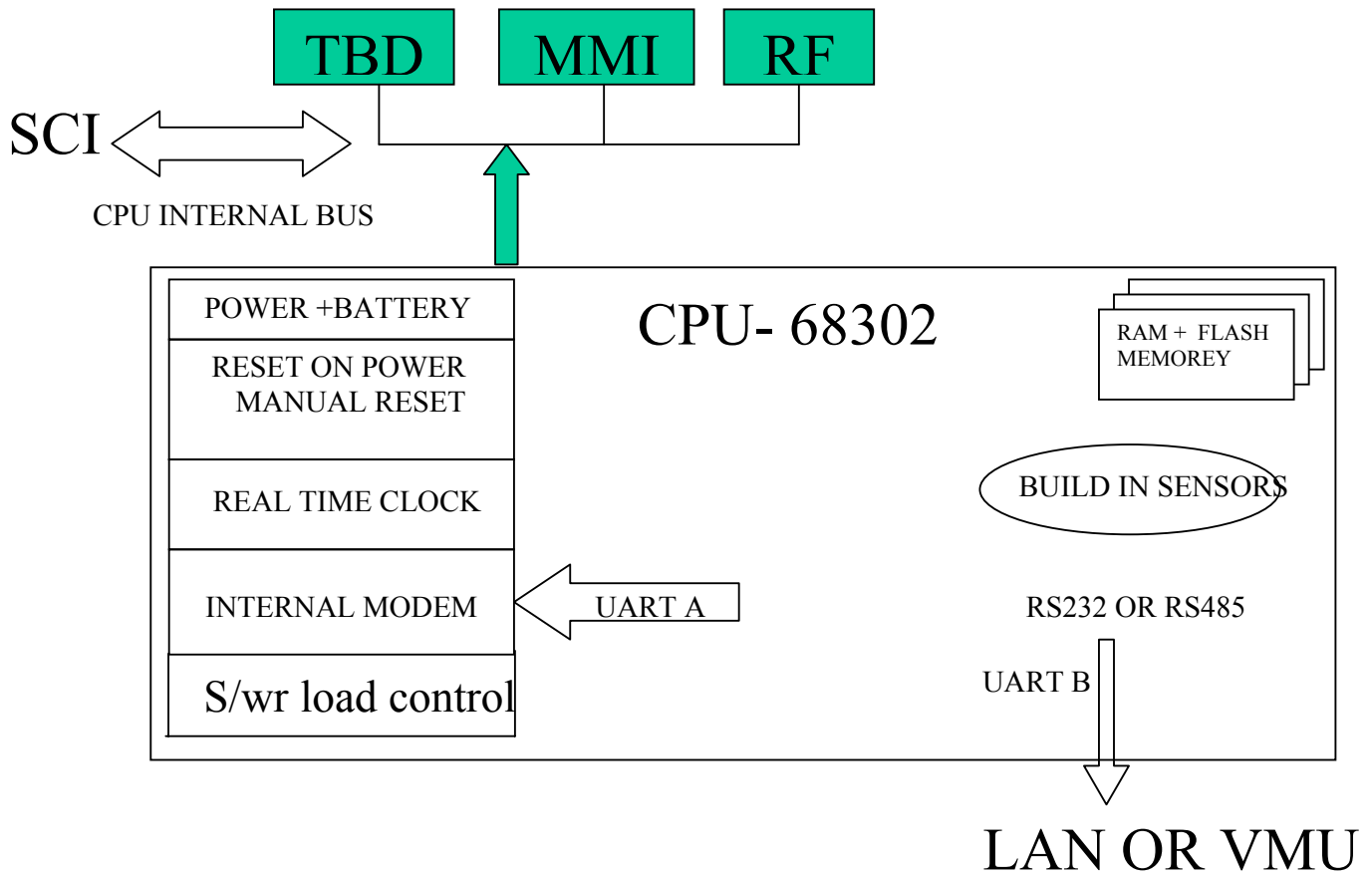


Figure no.1: Main Module Diagram

### 1.1.1 COMMUNICATION OBJECTS

- Telephone.
- General purpose-s\w load.
- RF.

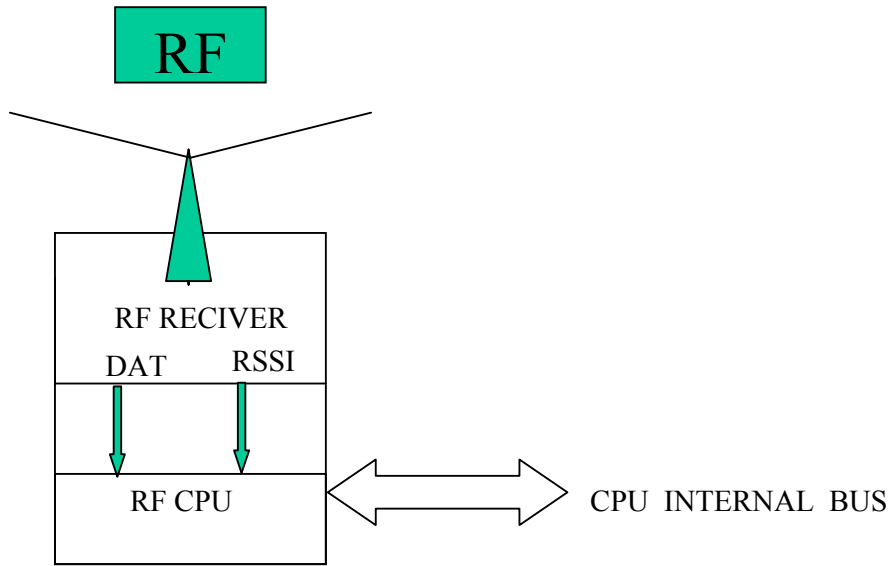
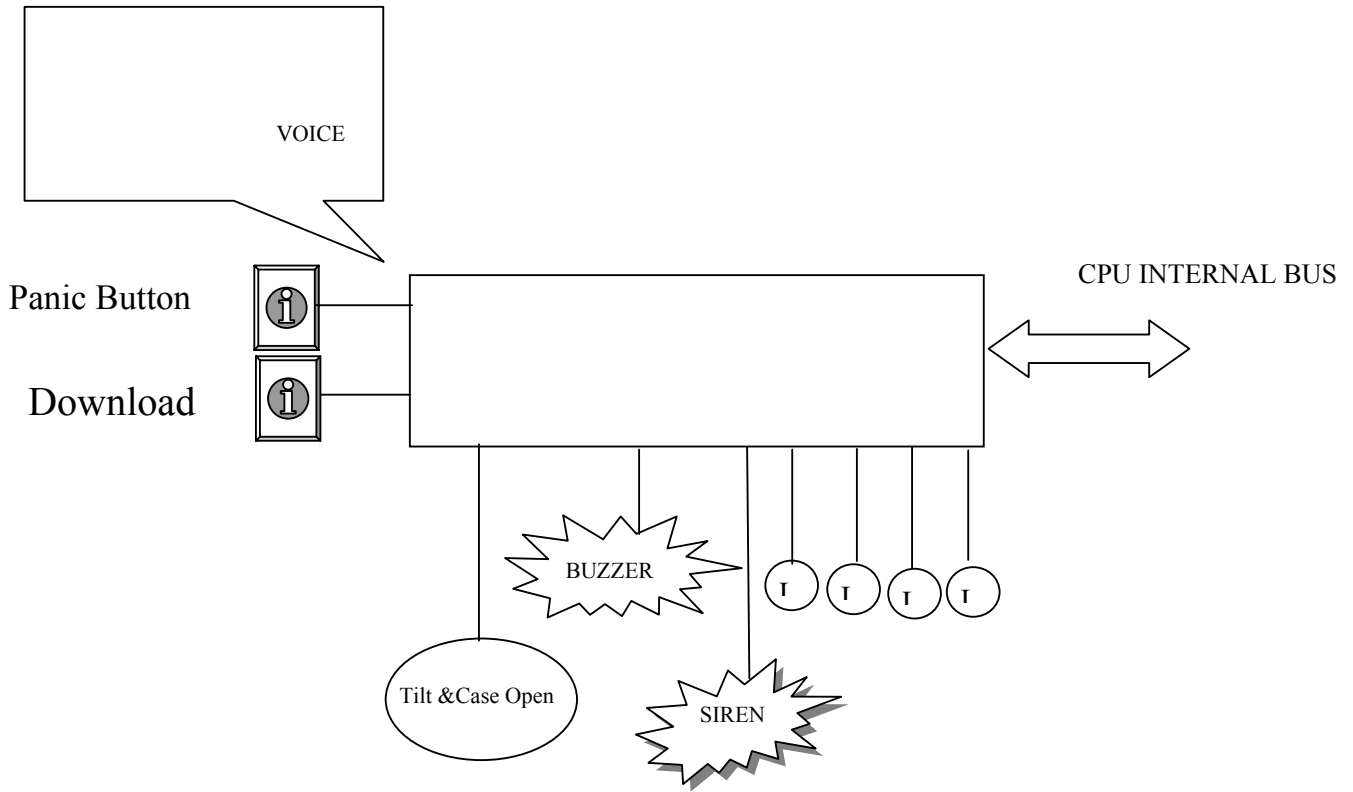


Figure no.2: RF Object Diagram



- LED's internal and external.
- Buzzer & Siren
- Voice.
- Relay.
- Button's
- Built in sensors.