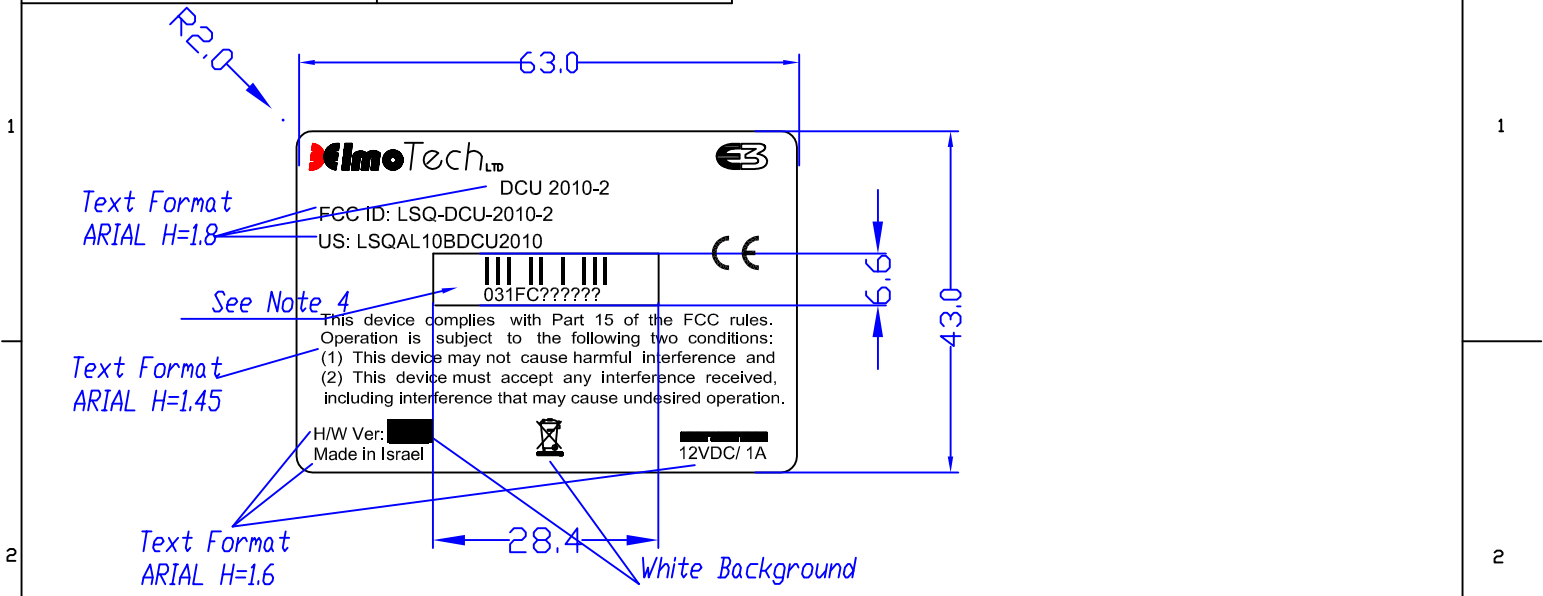
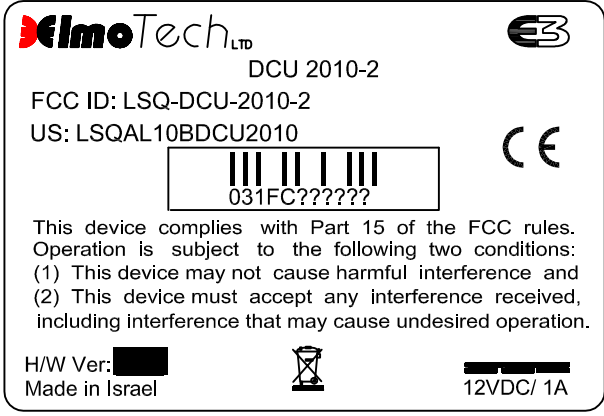


PART MUST BE FREE OF ALL SCRATCHES AND BURRS. UNLESS OTHERWISE SPECIFIED, REMOVE SHARP EDGES BETWEEN 0.1 AND 0.3x45° OR EQUAL RAD. THIS PART SHOULD BE PACKED SO AS TO AVOID DAMAGE DURING TRANSPORT.		THIS PUBLICATION CONTAINS PROPRIETARY INFORMATION OF ELMO-TECH LTD. IT IS SUPPLIED TO THOSE CONCERNED WITH OPERATION AND MAINTENANCE OF THE EQUIPMENT COVERED THEREIN, AND MAY NOT BE DISCLOSED TO OTHERS WITHOUT THE EXPRESS WRITTEN PERMISSION OF ELMO-TECH LTD.		REV	DESCRIPTION	E.C.O.	DATE	DRAWN	CHECKED
				A00	Release		24/11/06	M.G.	S.B



View B for reference



NOTE:

1. BACKGROUND COLOUR: BLACK
2. PRINTING COLOUR: WHITE
3. MATERIAL SPECIFICATIONS:
 - 3.1 FACE: POLYESTER FILM, 80 micron, LAMINATED.
 - 3.2 ADHESIVE: PERMANENT ACRYLIC
4. THE VALUE OF S/N WILL BE MENTIONED ON PURCHASE ORDER.
 - 4.1 THE BARCODE HEIGHT = 3.5mm
 - 4.2 THE S/N TEXT HEIGHT = 1.7mm
5. PACKAGE: THE LABELS WILL BE SUPPLIED ON ROLLS.

UNLESS OTHERWISE SPECIFIED : ALL DIMENSIONS ARE IN mm. TOLERANCES: LINEAR ± 0.2 ANGLES ± 0° 30' HOLES + 0.1 BETWEEN ± 0.1 HOLES CENTERS ROUGHNESS: 	TITLE:		 DCU LINE 433 FCC LABEL Elmo-Tech				 ELECTRONIC MONITORING TECHNOLOGIES 2 Habarzel St. Tel-Aviv 69710 Tel.: 972-3-6478871 Fax.: 972-3-6478872			
	CAT. No.: 421103120									
	PROJECT: DCU		DRAW	M.G	M.G	24/11/08	OF			
	NEXT ASSY: -		DES	M.G	M.G	24/11/08	1 / 1			
	FILE: A2		CHK	Y.G.	Y.G.	24/11/08				
SCALE: 1:1		APPR	Y.G.	A.B	24/11/08					
			DWG NO 421103120 REV A00							