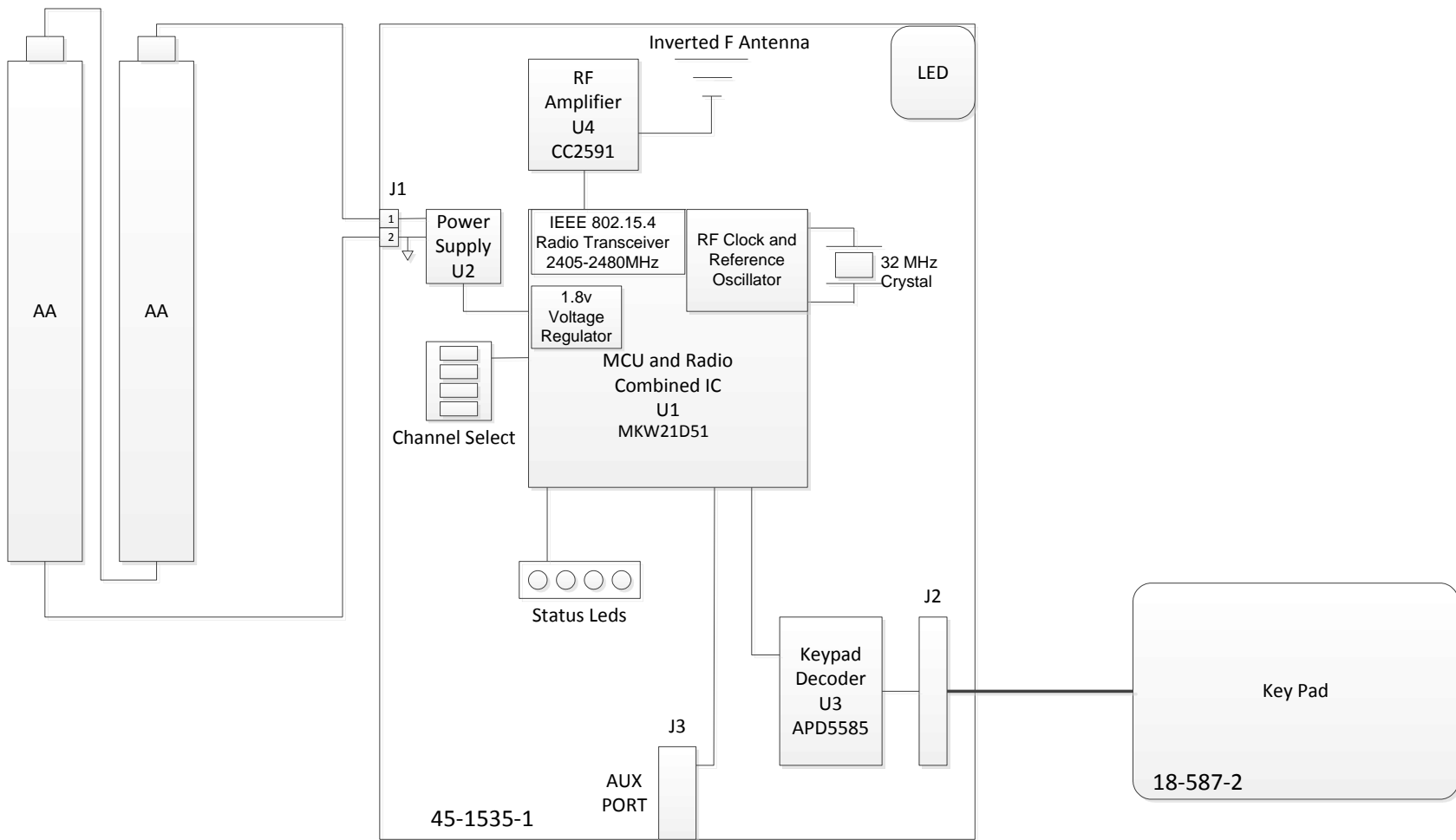


Rhein Tech Laboratories, Inc.
360 Herndon Parkway
Suite 1400
Herndon, VA 20170
<http://www.rheintech.com>

Client: Hunter Engineering Company
Model: 146-59-1
Standards: FCC 15.247/IC RSS-210
ID's: LS3-146591/2938A-146591
Report #: 2015070

Appendix H: Block Diagram

Please refer to the following page.



Hunter 146-59-1 Block Diagram