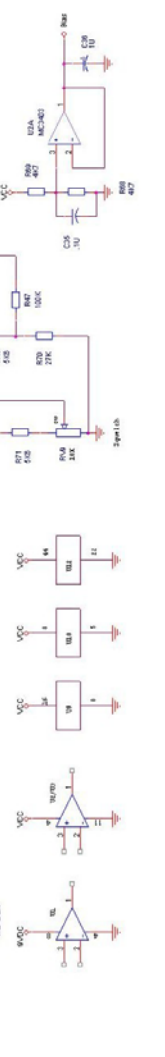
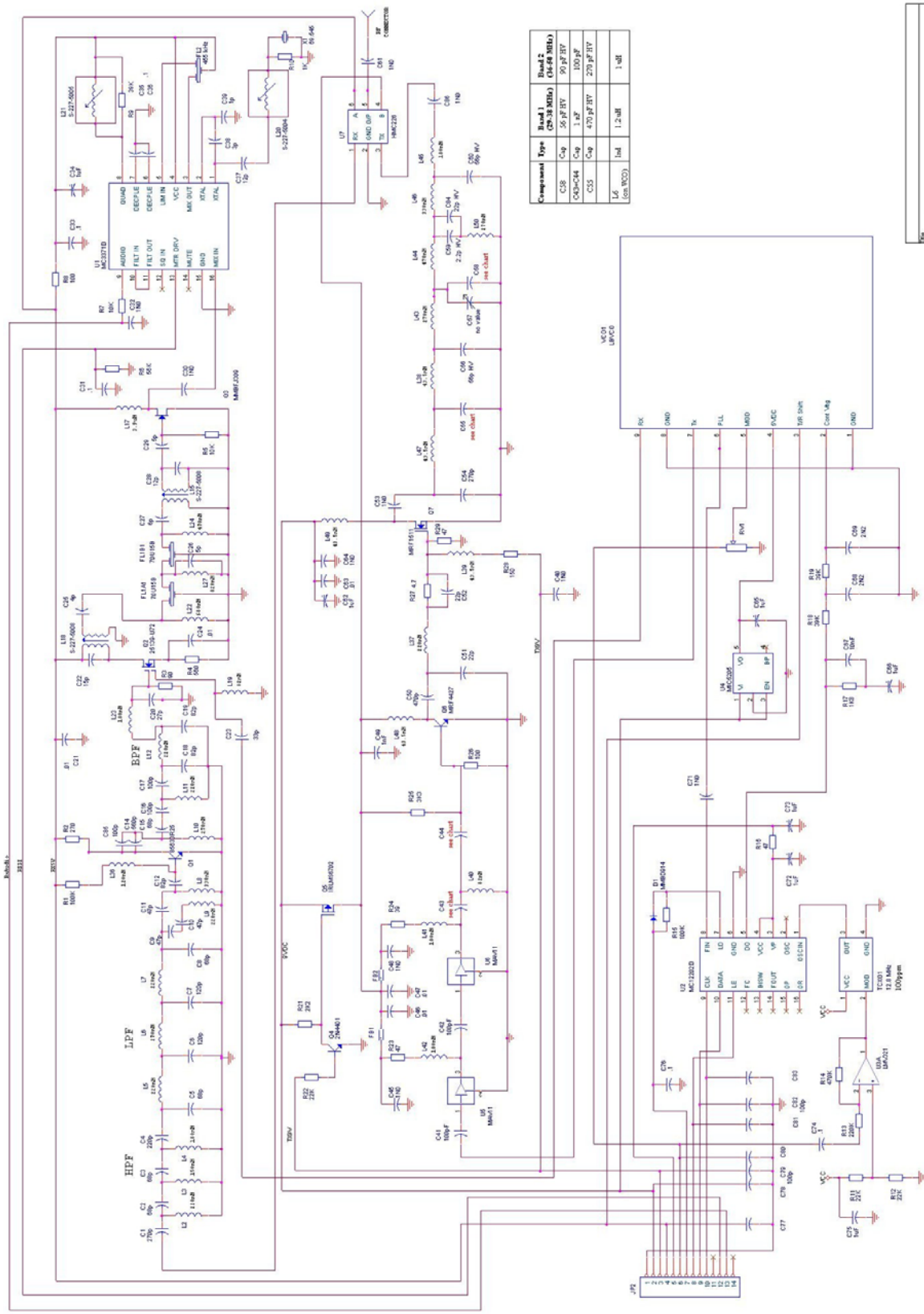


Pyramed Communications
 01/16/01-5462 Rev. 101-5472
 TRF-200 Converter Board

Rev	DATE CODE	QTY	REV
1	01/16/01	100	1

Wednesday, March 31, 2009





Component	Type	Value	Notes
C18	Cap	56 pF	50 pF 5%
C43-C44	Cap	1 nF	100 pF
C55	Cap	470 pF	270 pF 5%
L6	Ind	1.2 nH	1 nH

Rev	Date	Drawn	Checked	Approved
1				

Rev. 1.0