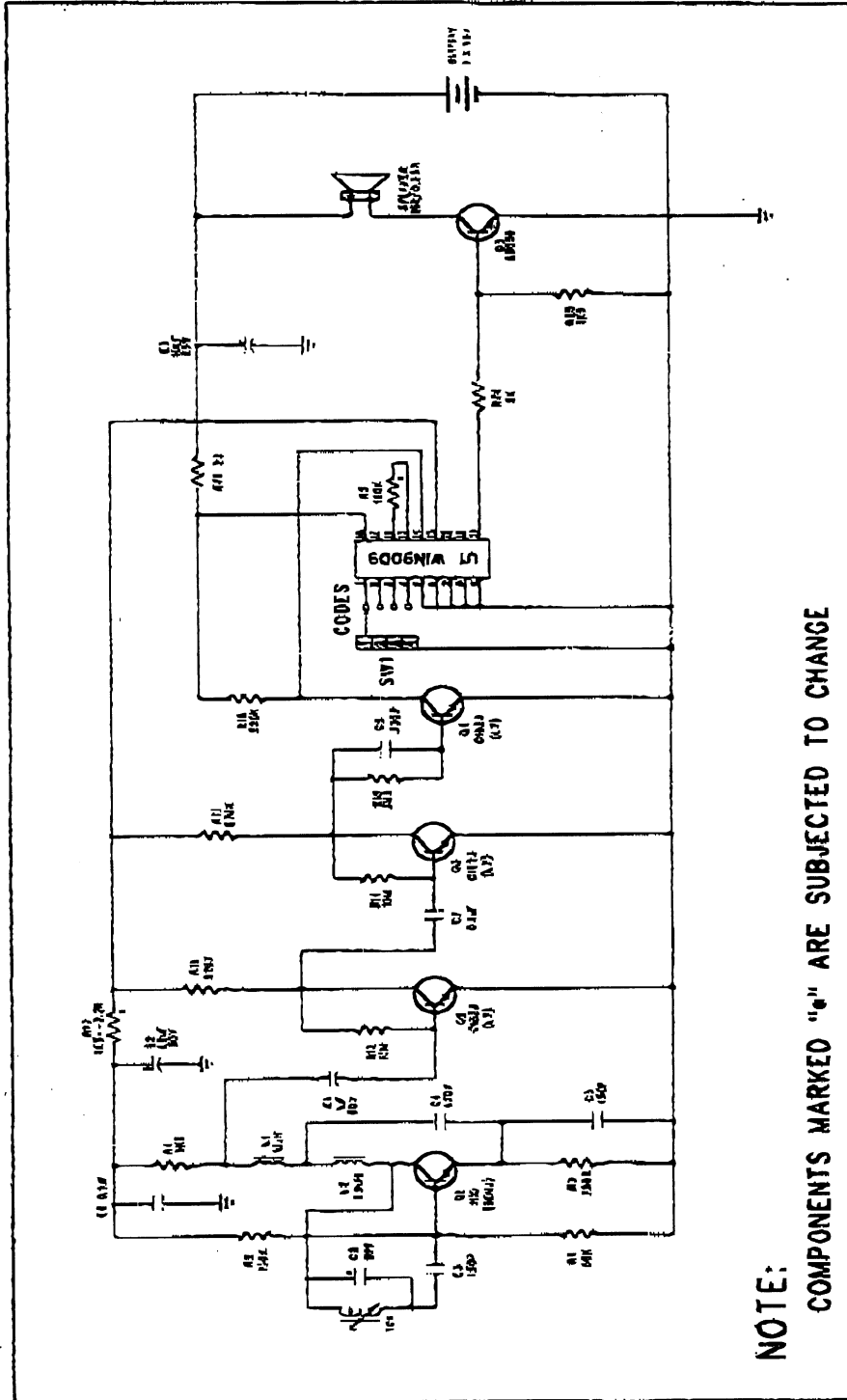


D3/6



NOTE:
 COMPONENTS MARKED "e" ARE SUBJECTED TO CHANGE
 TO MEET SPECIFICATIONS.

COMPANY SMARTHOME PRODUCTS CO.,LTD.	
TITLE WC13J(RX604.PCB)	REV: 1.0
SIZE: A4	DOCUMENT NUMBER
SHEET 1	OF 1

DRAWN BY:	DATE:
CHECKED BY:	DATE:
APPROVED BY:	DATE: