

## EXHIBIT 9. FCC ID LABEL & SKETCH OF LABEL LOCATION

### ULTRATECH GROUP OF LABS

3000 Bristol Circle, Oakville, Ontario, Canada L6H 6G4  
Tel. #: 905-829-1570, Fax. #: 905-829-8050, Email: [yhk.ultratech@sympatico.ca](mailto:yhk.ultratech@sympatico.ca), Website: <http://www.ultratech-labs.com>

File #: FGS-024FTX  
September 7, 1999

- Assessed by ITI (UK) Competent Body, NVLAP (USA) Accreditation Body & ACA/AUSTEL (Australia)
- Recognized/Listed by FCC (USA), Industry Canada (Canada)
- *All test results contained in this engineering test report are traceable to National Institute of Standards and Technology (NIST)*

REV.	ECN	DESCRIPTION	DATE	BY



8H052A47

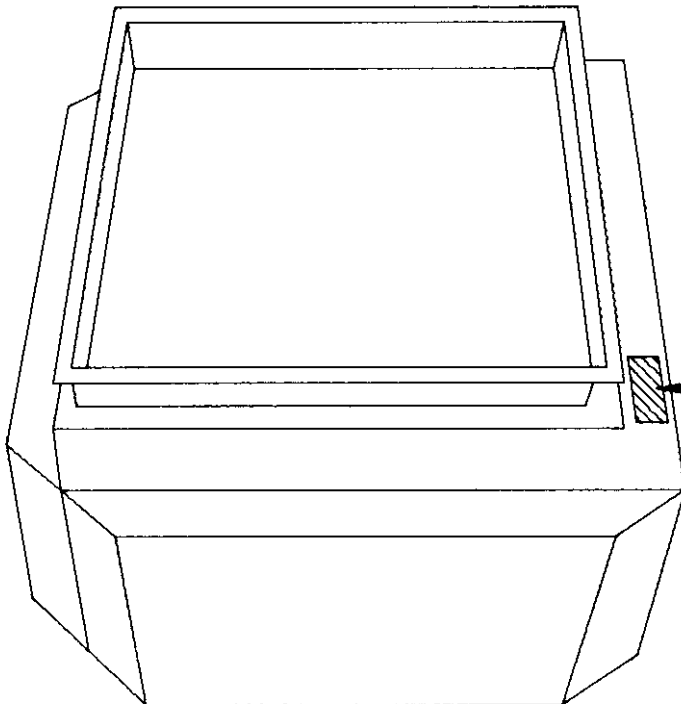
SHT 1 & FINAL

TITLE

MOBITEX LINK 900 FCC/IC LABEL LOCATION

FIRST MADE FOR :

F.C.F.O.



PROPOSED FCC/IC LABEL LOCATION

LEGEND	
	Assembly Drawing Steps
	Parts List Items

DRAWN BY

FLC

AUG 22/99

CHECKED BY

TB

Aug. 30, 1997



8H052A47

SHT 1 & FINAL

REV.	ECN	DESCRIPTION	DATE	BY



2L052A01

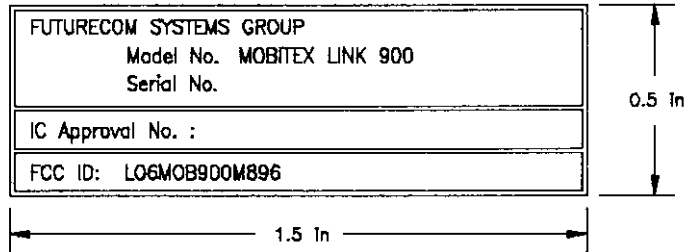
SHT 1 & FINAL

TITLE

LABEL, MOBITEK LINK 900, FCC, IC

F.C.F.O.

SCALE: 2:1



DRAWN BY  
 FLC  
 AUG 22/99

CHECKED BY  
*TB*  
*Aug. 30, 1999*



2L052A01

SHT 1 & FINAL

REV.	ECN	DESCRIPTION	DATE	BY



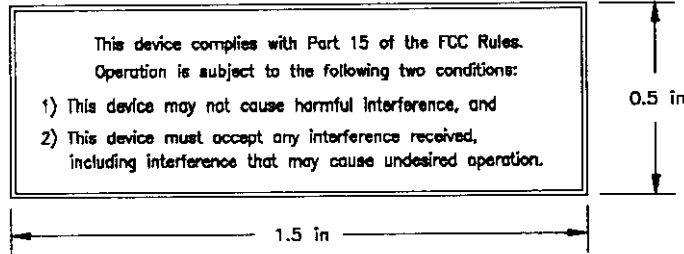
2L052A03

SHT 1 & FINAL

TITLE  
LABEL, FCC, IC

F.C.F.O.

SCALE: 2:1



DRAWN BY  
FLC  
AUG 22/99

CHECKED BY  
TR  
Aug. 30, 1999



2L052A03

SHT 1 & FINAL