


REV.	ECN	DESCRIPTION	DATE	BY



2L046A04

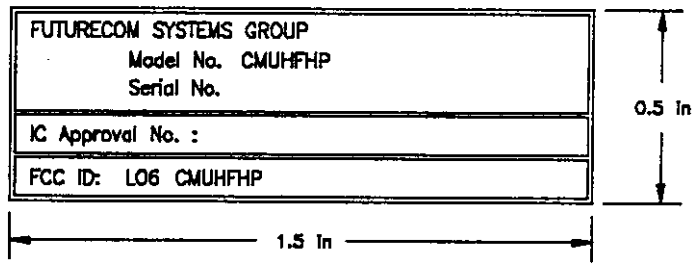
SHT 1 & FINAL

TITLE

LABEL, CM UHF HP, FCC, IC

F.C.F.O.

SCALE: 2:1



DRAWN BY FLC JAN 22/99	CHECKED BY <div style="text-align: center;">  Jan. 25, 1999 </div>		<h2 style="margin: 0;">2L046A04</h2> <p style="margin: 0;">SHT 1 & FINAL</p>
------------------------------	---	--	--

REV.	ECN	DESCRIPTION	DATE	BY
1	99005	General CM	01/22/99	TB



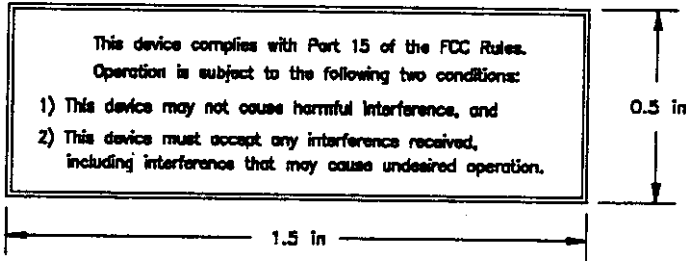
2L046A02

SHT 1 & FINAL

TITLE
LABEL, CM, FCC, IC

F.C.F.O.

SCALE: 2:1



DRAWN BY

FLC
JAN 22/89

CHECKED BY

TB
Jan. 25, 1999



2L046A02

SHT 1 & FINAL

REVISIONS	
1	



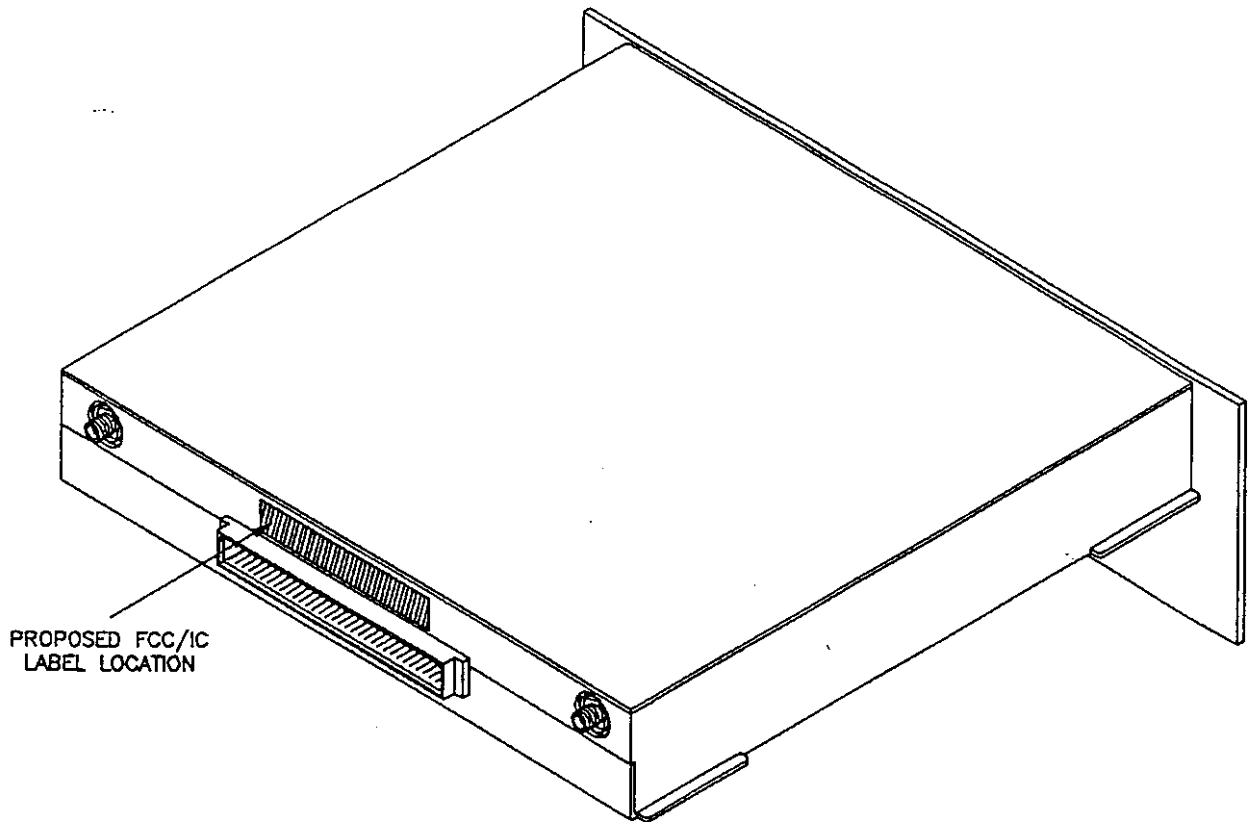
8H038A132

SHT 1 & FINAL

TITLE
FCC/IC LABEL LOCATION

FIRST MADE FOR :

F.C.F.O.



DRAWN BY
FLC
OCT 18/96

CHECKED BY
als
Oct. 21, 1996



8H038A132

SHT 1 & FINAL