

EXHIBIT 9. FCC ID LABEL & SKETCH OF LABEL LOCATION

ULTRATECH GROUP OF LABS

3000 Bristol Circle, Oakville, Ontario, Canada L6H 6G4
Tel. #: 905-829-1570, Fax: #: 905-829-8050, Email: vhk.ultratech@sympatico.ca, Website: <http://www.ultratech-labs.com>

File #: FGS-023FTX
September 7, 1999

- Assessed by ITI (UK) Competent Body, NVLAP (USA) Accreditation Body & ACA/AUSTEL (Australia)
- Recognized/Listed by FCC (USA), Industry Canada (Canada)
- *All test results contained in this engineering test report are traceable to National Institute of Standards and Technology (NIST)*

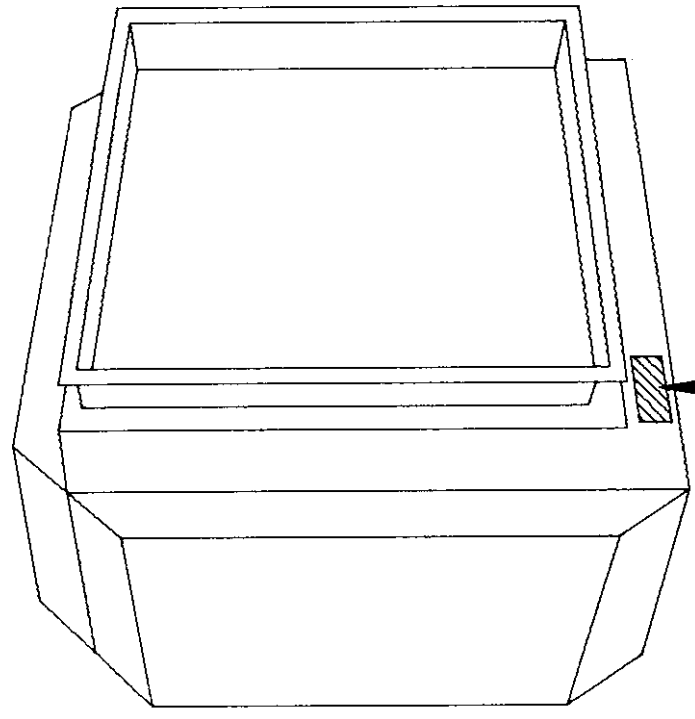
REV.	ECN	DESCRIPTION	DATE	BY

FUTURECOM
SYSTEMS GROUP INC.

8H052A46
SHT 1 & FINAL

TITLE
MOBITEX AIRBASE 900 FCC/IC LABEL LOCATION

FIRST MADE FOR :
F.C.F.O.



PROPOSED FCC/IC LABEL LOCATION

LEGEND	
△	Assembly Drawing Steps
○	Parts List Items

DRAWN BY
FLC
AUG 22/99

CHECKED BY
TB
Aug. 30, 1999

FUTURECOM
SYSTEMS GROUP INC.

8H052A46
SHT 1 & FINAL

REV.	ECN	DESCRIPTION	DATE	BY



2L052A02

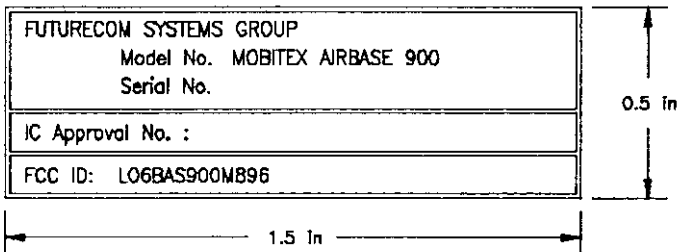
SHT 1 & FINAL

TITLE

LABEL, MOBITEX AIRBASE 900, FCC, IC

F.C.F.O.

SCALE: 2:1



DRAWN BY

FLC
 AUG 22/99

CHECKED BY

TB
 Aug. 30, 1999



2L052A02

SHT 1 & FINAL

REV.	ECN	DESCRIPTION	DATE	BY



2L052A03

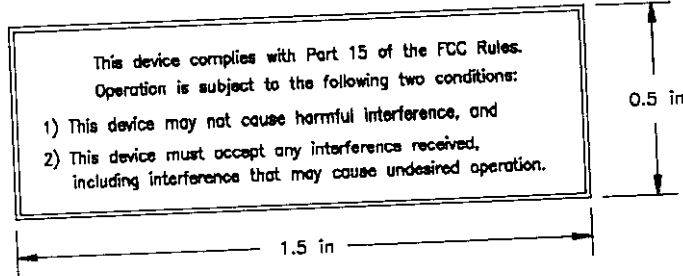
SHT 1 & FINAL

TITLE

LABEL, FCC, IC

F.C.F.O.

SCALE: 2:1



DRAWN BY

FLC
AUG 22/99

CHECKED BY

TR
Aug. 30, 1999



2L052A03

SHT 1 & FINAL