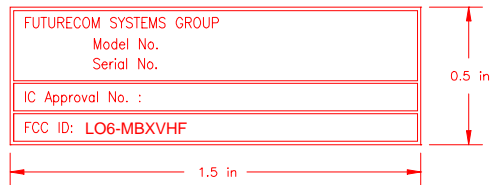


REV.	ECN	DESCRIPTION	DATE	BY		2L073A01 SHT 1 & FINAL

TITLE  
LABEL, MOBEXCOM VHF

F.C.F.O. SCALE: 2:1



DRAWN BY TB JULY 5, 2000	CHECKED BY		2L073A01 SHT 1 & FINAL
--------------------------------	------------	---	---------------------------

REV.	ECN	DESCRIPTION	DATE	BY



2L052A03  
SHT 1 & FINAL

TITLE  
LABEL, FCC, IC

F.C.F.O.

SCALE: 2:1


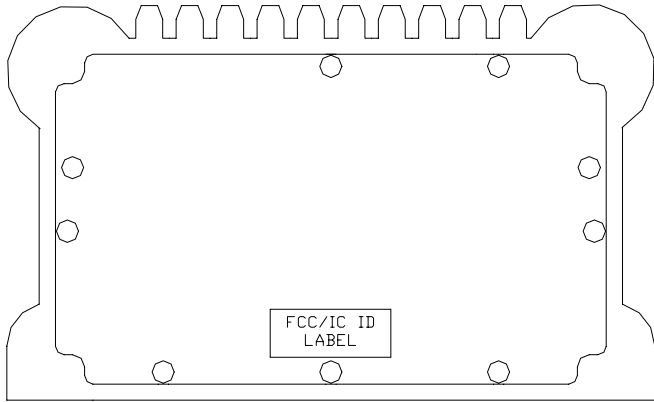

<p>This device complies with Part 15 of the FCC Rules. Operation is subject to the following two conditions:</p> <ol style="list-style-type: none"> <li>1) This device may not cause harmful interference, and</li> <li>2) This device must accept any interference received, including interference that may cause undesired operation.</li> </ol>	<p>0.5 in</p>
<p>1.5 in</p>	

DRAWN BY  
FLC  
AUG 22/99

CHECKED BY



2L052A03  
SHT 1 & FINAL

REV.	ECN	DESCRIPTION	DATE	BY		8H073A16
					TITLE FCC/IC LABEL LOCATION	
					F.C.F.O.	SCALE:
<p>EUT REAR CHASSIS</p> <p>TOP</p>  <p>BOTTOM</p>						
DRAWN BY		CHECKED BY				8H073A16
TB JULY 7, 2000						SHT 1 & FINAL