

| REV. | ECN | DESCRIPTION | DATE | BY |
|------|-----|-------------|------|----|
| | | | | |
| | | | | |
| | | | | |

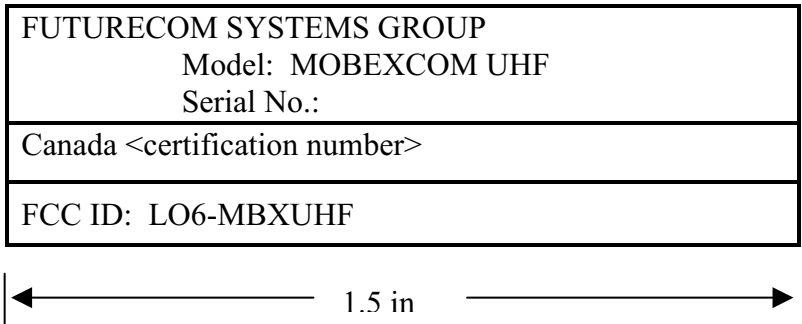


2L073A04
SHT 1 OF 1

TITLE MOBEXCOM UHF FCC/IC LABEL

F.C.F.O

SCALE



DRAWN BY

AJK 08-Mar-2001

CHECKED BY



2L073A04
SHT 1 OF 1

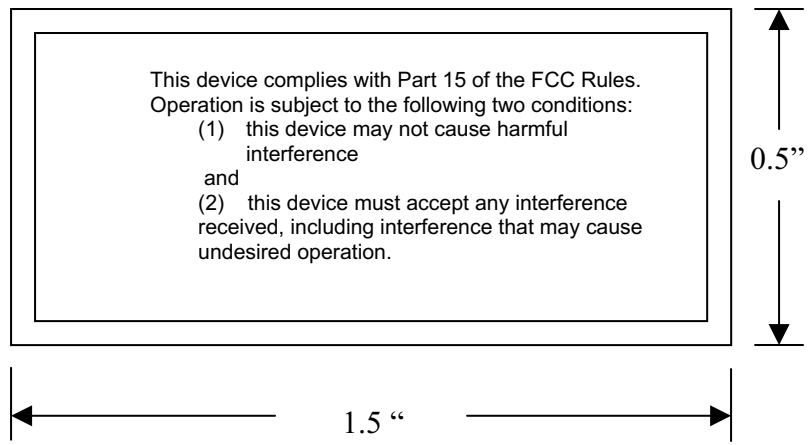
| REV. | ECN | DESCRIPTION | DATE | BY |
|------|-----|-------------|------|----|
| | | | | |
| | | | | |
| | | | | |



2L074A03
SHT 1 OF 1

TITLE
LABEL, FCC

F.C.F.O SCALE


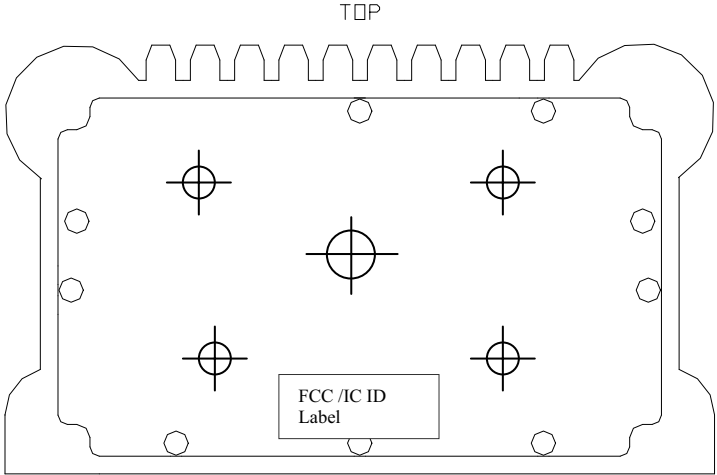



DRAWN BY
AJK
26-Jan-01

CHECKED BY



2L074A03
SHT 1 OF 1

| REV. | ECN | DESCRIPTION | DATE | BY |  | | 8H073A25 SHT 1 & FINAL |
|--|-----|-------------|------|--|--|----------------------------------|----------------------------------|
| | | | | | TITLE FCC/IC LABEL LOCATION | | |
| | | | | | F.C.F.O. | SCALE: | |
| <p>EUT REAR CHASSIS</p>  <p>TOP</p> <p>BOTTOM</p> | | | | | | | |
| DRAWN BY AJK 06-Feb-2001 | | CHECKED BY | |  | | 8H073A25 SHT 1 & FINAL | |