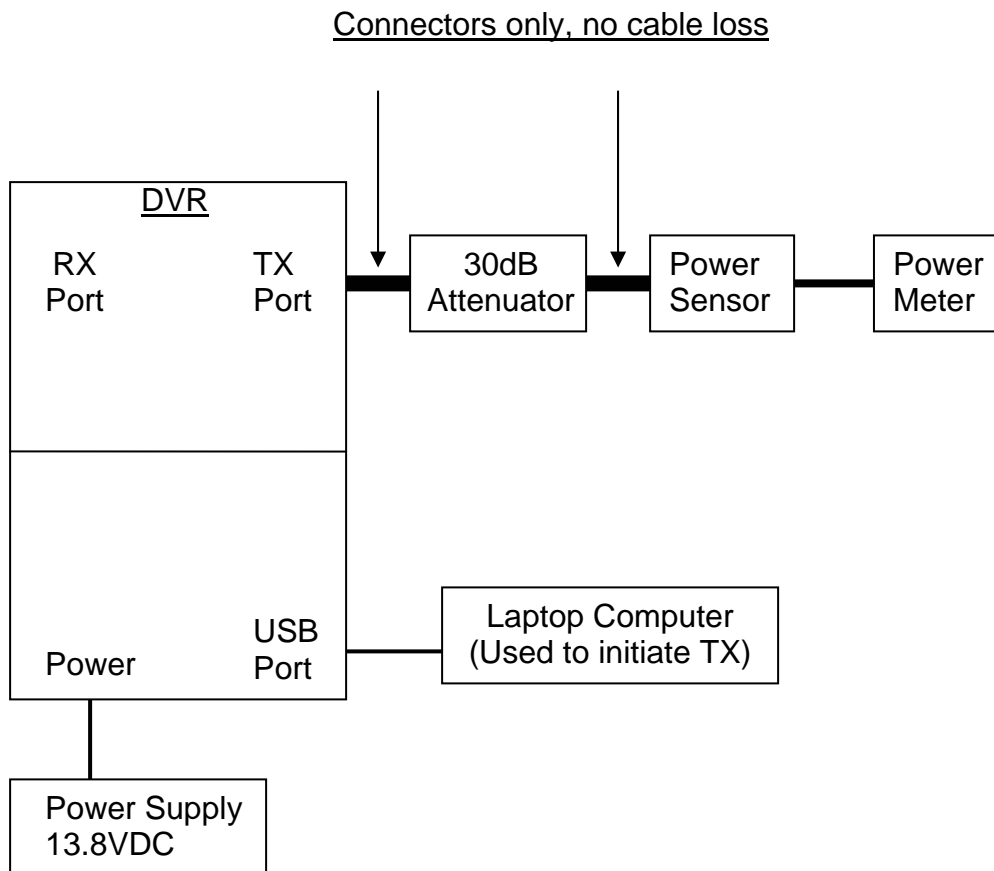


DVR Power Measurements

Refer to block diagram below for power measurement setup.

Power was measured for each tested frequency using a calibrated Power Meter (Agilent E4418B). The output power was measured from the DVR TX port. The attenuator was connected directly to the DVR using TNC to N-type connector and the power sensor was connected directly to the attenuator. A laptop was used to initiate RF transmission. The output power for each frequency was recorded.

Note, During MPE measurements the antenna's coax was connected to the TX port of the DVR.



Mobile Power Measurements

Refer to block diagram below for power measurement setup.

Power was measured for each tested frequency using a calibrated Power Meter (Agilent E4418B). The output power was measured from the Ant port of the mobile radio. The attenuator was connected directly to the mobile using Mini UHF to N-type connector and the power sensor was connected directly to the attenuator. A Remote Speaker Microphone (RSM) was used to initiate RF transmission via PTT. The output power for each frequency was recorded.

