

REV.	ECN	DESCRIPTION	DATE	BY

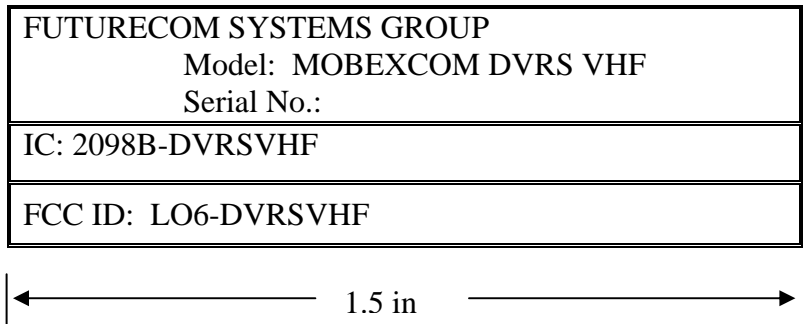


2L083A02
SHT 1 OF 1

TITLE MOBEXCOM DVRS VHF FCC/IC LABEL

F.C.F.O

SCALE


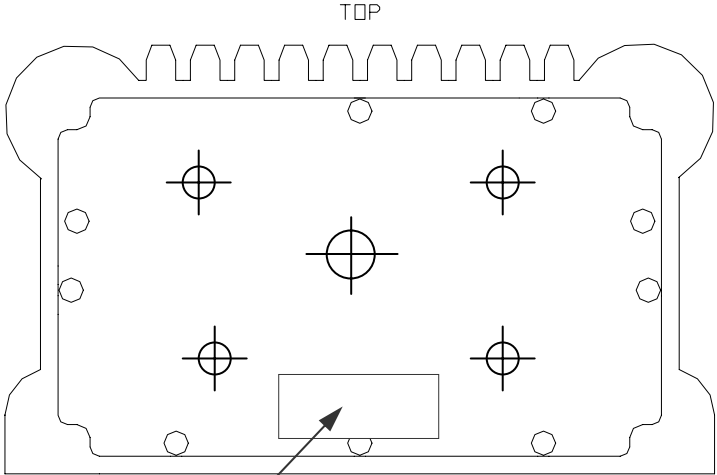



DRAWN BY
TB Nov 29, 2004

CHECKED BY



2L083A02
SHT 1 OF 1

REV.	ECN	DESCRIPTION	DATE	BY			8H073A25 <small>SHT 1 & FINAL</small>
1		Arrow	Mar 01		TITLE FCC/IC LABEL LOCATION		
					F.C.F.O.		SCALE:
<p>EUT REAR CHASSIS</p>  <p>TOP</p> <p>BOTTOM</p> <p>FCC/IC Label</p>							
DRAWN BY AJK 06-Feb-2001			CHECKED BY				8H073A25 <small>SHT 1 & FINAL</small>