



Certificate Number: 2518.01

**FCC ID: LO6-DVRSUHF  
DECLARATION OF COMPLIANCE MPE ASSESSMENT**

**Networks & Enterprise**  
**EME Test Laboratory**  
 8000 West Sunrise Blvd  
 Fort Lauderdale, FL. 33322

**Date of Report:** November 30, 2006  
**Report Revision:** Rev. A  
**Report ID:** FCC MPE rpt\_DVR UHF R1/R2  
 XTL 7800 Rev A\_061130\_SR4249

**Responsible Engineer:** Stephen Whalen (SR Staff EME Eng.)  
**Date/s Tested:** 07/23/2006 & 08/08/2006, 06/23/2006, 08/04-08/06/2006  
**Manufacturer/Location:** Futurecom Systems Group Inc., Concord, Ontario, Canada  
**Date submitted for test:** 7/14/06 (DVR)  
**DUT Description:** 380-430MHz DVRS  
**Test TX mode(s):** CW  
**Max. Power output:** 10W (conducted into antenna), 100% Duty Cycle  
**TX Frequency Bands:** 380-430MHz  
**Signaling type:** FM; APCO 25  
**Model(s) Tested:** DQPM DV4000P  
**Model(s) Certified:** DQPM DV4000P  
**Serial Number(s):** 06062161  
**Classification:** Occupational Controlled (Operator); General Population/Uncontrolled (Passengers/Bystanders)  
**Rule Part(s):** 2.1091 (d)



**Approved Accessories:**  
**Antenna(s):**  
 HAE6012A (380-433MHz ¼ wave trunk mount antenna; 0dBd gain)

**Companion Mobiles and Antennas:**

FCC ID	Mobile Description	Antenna(s)
AZ492FT5823	Motorola XTL5000 Model M20URS9PW1AN, 764-870MHz Mobile, Transmit conducted power up to 42W, 50% transmit duty cycle.	HAF4013A (764-870MHz; ¼ wave Roof mount; 3dBd gain); HAF4014A (764-870MHz; ¼ wave Roof mount; 3dBd gain); HAF4016A (764-870MHz; ¼ wave Roof mount; 0dBd gain); HAF4017A (764-870MHz; ¼ wave Roof mount; 3dBd gain)

**Final RF Exposure Results:**  
**Combined UHF DVR and 7/800 Mobile max calculated power density % of limit = 76.3%**

Based on the information and the testing results provided herein, the undersigned certifies that when used as stated in the operating instructions supplied, said product complies with the national and international reference standards and guidelines listed in section 3.0 of this report. This report shall not be reproduced without written approval from an officially designated representative of the Motorola EME Laboratory.

**Signature on file**  
 Deanna Zakharia NE EME Lab Senior Resource Manager,  
 Laboratory Director,  
  
**Approval Date:** 11/30/2006

**Certification Date:**  
  
**Certification No.:**

**TABLE OF CONTENTS**

- 1.0 Product and System Description
- 2.0 Additional Options and Accessories
- 3.0 Measurement and Limit Standards
- 4.0 Data Collection Consideration
- 5.0 Measurement System Uncertainty Levels
- 6.0 Method of Measurement
  - 6.1 DVR UHF EME measurements made with trunk mounted antenna(s)
    - 6.1.1 External vehicle EME measurement
    - 6.1.2 Internal vehicle EME measurement
  - 6.2 Mobile 7/800MHz EME measurements made with roof mounted antenna(s)
    - 6.2.1 External vehicle EME measurements
    - 6.2.2 Internal vehicle EME measurement
- 7.0 Test Site
- 8.0 Measurement System/Equipment
- 9.0 Test Unit Description
- 10.0 Test Set-Up Description
- 11.0 Test Results Summary
- 12.0 Conclusion

- APPENDIX A: Illustration of Antenna Location and Test Distances
- APPENDIX B: Block Diagram of MPE Test Configuration
- APPENDIX C: Meter/Probe Calibration Certificates
- APPENDIX D: Photos of Assessed Antennas
- APPENDIX E: Detailed MPE Measurement Data

**REVISION HISTORY**

Date	Revision	Comments
11/01/06	O	Original release
11/30/06	A	Revised Appendix A and updated front cover from GEMS to NE

## 1.0 Product and System Description

FCC ID: LO6-DVRSUHF is a MOBEXCOM Digital Vehicular Repeater (DVR) manufactured by FUTURECOM Systems Group. The DVR, in addition to standalone operation, is capable of interfacing to a companion mobile radio using serial data protocol for audio and control. The full duplex DVR provides local area coverage for portable to portable communication in the 380-430MHz band while the companion mobile radio provides wide-area coverage extension.

The system can operate in the following modes: Mobile mode - where the vehicular repeat function is off but receives emergency and mode change commands from portable devices; Local mode - with portable to portable repeat and network monitoring capabilities; and System mode - with portable to portable repeat functions with full network interconnect. Furthermore, the DVRS offers a busy lockout feature where a simulcast prevention algorithm is used for seamless multi-vehicle operation on the same channel. Moreover, the system supports emergency calls in the MDC1200 signaling format. Other system features include field programmability, seamless interface to a mobile radio through the control head bus, controllability via a mobile radio control head, as well as remotely by a dispatcher or portable user. The DVR supports up to 64 channels and 255 talk groups, MDC1200, DTMF, EIA, CCIR signaling as well as PL and DPL. The DVR supports programmability of leading and/or trailing tones, and audio and TX priorities per mode as well as talk group steering.

This test report covers the RF Exposure performance of the 380-430MHz 10 watts DVR interfaced with, and transmitting simultaneously with, companion 7/800MHz mobile radio with transmit powers up to 36 watts (764-806MHz) and 42 watts (806-870MHz) and with both units installed in a typical vehicle.

The DVR transmit frequency range is 380-430MHz at transmit duty cycle up to 100%. The 7/800MHz mobile transmit frequency range is 764-870MHz at transmit duty cycle up to 50%. The DVR antenna is limited to  $\frac{1}{4} \lambda$  (0dBd gain) mounted at the center of the trunk, and the 7/800MHz mobile antennas are limited to  $\frac{1}{4} \lambda$  (0dBd and 3dBd gain) mounted at the center of the roof. The maximum conducted power delivered to the DVR antenna is 10 watts.

This device will be marketed to and used by employees solely for work-related operations, such as public safety agencies, e.g. police, fire and emergency medical. User training is the responsibility of these agencies which can be expected to employ the usage instructions, safety information and operational cautions set forth in the user's manual, instructional sessions or other means.

Accordingly this product is classified as Occupational/Controlled Exposure. However, In accordance with FCC requirements, the passengers inside the vehicle and the bystanders external to the vehicle are evaluated to the General Population/Uncontrolled Exposure Limits.

(Note that "By-standers" as used herein mean people other than operator)

**2.0 Additional Options and Accessories:**

NA

**3.0 Measurement and Limit Standards**

Measurements were performed according to the recommended guidelines in IEEE/ANSI C95.3-2002 and compared to FCC Limits Per 47 CFR 2.1091 (d) for General Population/Uncontrolled RF Exposure.

For test frequencies ranging from 380-430MHz and 764-870MHz the MPE (Maximum Permissible Exposure) limit to electromagnetic energy in equivalent plane wave free-space power density is 0.25-0.29 mW/cm<sup>2</sup> and 0.51–0.58mW/cm<sup>2</sup> respectively and calculated using the formula  $f/1500$ .

**4.0 Data Collection Consideration**

Power density testing was performed with DUT installed in a 1991 Ford Taurus (4-door). Measurement data was taken with the vehicles’ electrical system powered by an equivalent source equal to the car running at idle measuring 13.8 volts.

**5.0 Measurement System Uncertainty Levels**

The information below presents an estimate of the possible errors that are associated with the measurement system.

Uncertainty Budget for Near Field Probe Measurements

	<b>Tol.</b> <b>(± %)</b>	<b>Prob</b> <b>Dist.</b>	<b>Divisor</b>	<b><i>u<sub>i</sub></i></b> <b>(±%)</b>
<b>Measurement System</b>				
Survey Meter Calibration	3.0	N	1.00	3.0
Repeatability Accuracy	7.0	N	1.00	7.0
<b>Combined Standard Uncertainty</b>		RSS		7.6
<b>Expanded Uncertainty</b>		<i>k</i> =2		15

**6.0 Method of Measurement**

MPE measurements were conducted for each transmitter individually per the procedures described in the following sections. Percent of Limit was calculated for each transmitter individually for each position. Final results representing the maximum combined exposure of DVR and mobile radio were obtained by summing the highest percent of limit results from each transmitter.

## **6.1 DVR UHF EME measurements made with trunk mounted antenna(s)**

(For reference, see Illustration of antenna location and test distances in APPENDIX A)

### **6.1.1 External vehicle EME measurement**

(Antenna mounted at trunk center)

MPE measurements for by-stander conditions are determined by taking the average of (10) measurements in a 2m vertical line for each of the (5) test locations indicated in APPENDIX A with 20cm increments at the test distance of 60cm from the test vehicle's body, as stated in the user manual. The measurement probe sensor is rotated 180° at each of the ten incremental measurements to ensure the highest result is captured. These measurements are representative of persons other than the operator standing next to the vehicle.

The DVR antennas mounted at the center of the trunk were assessed across the TX band for the (5) by-stander conditions presented in APPENDIX A.

### **6.1.2 Internal vehicle EME measurement**

(Antenna mounted at trunk center)

While rotating survey meter probe through 180 degrees to ensure that the highest level is found, scans were performed inside of the vehicle, at both front and back seating areas, across the TX band to ascertain the highest level at the head. After the highest level is found, scans were performed vertically making two (2) additional measurements within an area approximately 40cm wide (representing the width of a person) so as to have a total of three (3) measured points, indicated below, that are averaged.

- a) Head area
- b) Chest area
- c) Lower Trunk area

## **6.2 Mobile 7/800MHz EME measurements made with roof mounted antenna(s)**

(For reference, see Illustration of antenna location and test distances in APPENDIX A).

### **6.2.1 External vehicle EME measurement**

(Antenna mounted at roof center)

MPE measurements for by-stander conditions are determined by taking the average of (10) measurements in a 2m vertical line for each of the (5) test locations indicated in APPENDIX A with 20cm increments at the test distance of 60cm from the test vehicle's body, as stated in the user manual. The measurement probe sensor is rotated 180° at each of the ten incremental measurements to ensure the highest result is captured. These measurements are representative of persons other than the operator standing next to the vehicle.

The mobile antennas mounted at the center of the roof were assessed across the TX band for the (5) by-stander conditions presented in APPENDIX A.

**6.2.2 Internal vehicle EME measurement**  
(Antenna mounted at roof center)

While rotating survey meter probe through 180 degrees to ensure that the highest level is found, scans were performed inside of the vehicle, both at the front and back seating areas, across the TX band to ascertain the highest level in each location. After the highest level is found, two (2) additional measurements were performed vertically within an area approximately 40cm wide (representing the width of a person) so as to have a total of three (3) measured points as indicated below that are averaged.

- a) Head area
- b) Chest area
- c) Lower Trunk area

**7.0 Test Site**

The test site is the Motorola open area test site located at 8000 W. Sunrise Blvd., Plantation, FL. 33322.

**8.0 Measurement System/Equipment**

Equipment Type	Model #	SN	Calibration Due Date
Automobile	1991 Ford Taurus, 4-Door		
*Survey Meter	NARDA Model 8718	01122	4/20/07
*Probe – E-Field (Electric Field)	NARDA Model 8722B	12023	4/20/07
**Survey Meter	NARDA Model 8718	01122	4/20/07
**Probe – E-Field (Electric Field)	NARDA Model 8722B	12023	4/20/07

\*Equipment used during DVR UHF (test dates 7/23/2006 & 8/8/2006)

\*\* Equipment used during 7/800MHz mobile (test dates 6/23/2006, 8/4/2006 – 8/6/2006)

**9.0 Test Unit Description**

Power density measurements were performed on a representative sample of the DVR UHF 380-430MHz 10 watt radio with serial number 06062161.

Power density measurements were performed on the following representative sample of the Motorola XTL5000 7/800MHz 36 watts (764-806MHz) and 42 watts (806-870MHz) radio with serial number CAM0305RXX.

Presented below is a summary of the tested frequencies and associated power outputs for each DUT.

<b>DVR DQPM DVR4000P</b>	
<b>Frequency (MHz)</b>	<b>Po (W)</b>
380	10.0
405	9.9
430	10.0

<b>Mobile M20URS9PW1AN</b>	
<b>Frequency (MHz)</b>	<b>Po (W)</b>
764.0875	36.0
773.0125	36.0
775.9125	36.1
794.0875	37.0
809.0125	41.3
823.9875	41.6
851.0125	41.9
859.0125	41.7
868.9875	41.9

**10.0 Test Set-Up Description**

The following are the mobile antenna test configurations used for this product. (for reference, see Illustration of antenna location and test distances in the APPENDIX A)

Mobile - The ¼ wave antennas (HAF4013A 3dBd, HAF4014A 3dBd, HAF4016A 0dBd and HAF4017A 3dBd) were assessed while mounted at the center of the roof of the test vehicle.

DVR - The ¼ wave antenna (HAE6012A 0dBd) was assessed while mounted at the trunk.

Assessments were made internal and external to the test vehicle at the specified distances and test locations indicated in sections 6.0, 11.0, and the APPENDIX A.

**11.0 Test Results Summary**

APPENDIX E presents detailed MPE measurement information for each test configuration; person external or internal to the vehicle, TX frequency, antenna (location, model and gain), distance from antenna to probe sensor, E field measurements, calibration factor, MPE average over body, initial power, power density calc, power density max calc, IEEE/FCC controlled and uncontrolled limits, and maximum output power.

The Average over Body test methodology is consistent with IEEE/ANSI C95.3-2002 guidelines

MPE results are based on a DVR 100% duty cycle and Mobile 50% duty cycle which is in accordance with the User Manual instructions.

Below is an explanation of how the MPE results are calculated.

External to vehicle - 10 measurements are averaged over the body (*Body\_Avg*).  
 Internal to vehicle - 3 measurements are averaged over the body (*Body\_Avg*).  
 Narda Survey Meter measures in percent of the controlled limit. Therefore the averages over the body used in the calculations below reflect percentages.

Therefore;

$$Average\_over\_Body = Body\_Avg * Controlled\_Limit$$

$$Pwr\_Density\_Calc = Average\_over\_Body * Duty\_Cycle$$

$$Pwr\_Density\_Max\_Calc = Pwr\_Density\_Calc * \frac{Max\_Output\_Power}{Initial\_Output\_Power}$$

Note; For *Initial Output Power* > *Max\_Output\_Power*, *Max\_Output\_Power / Initial Output Power* = 1

**The tables below summarize the highest MPE results of the E field test configurations for the 7/800MHz mobile, DVR UHF, and combined assessments. See APPENDICES A and E respectively for the indicated test locations and detailed MPE measurement data.**

**Table 1 – 7/800MHz mobile M20URS9PW1AN Assessments – Highest MPE result per test position**

Tables	Antenna Model	Antenna Location	Test Frequency (MHz)	E/H Field	Passenger/ By-Stander Pos.	Max Calc Pwr Density (mW/cm <sup>2</sup> )	% of Uncontrolled limit
Table 22	HAF4014A	Roof	773.0125	E	Passenger	0.05	9.6%
Table 21	HAF4014A	Roof	773.0125	E	By-Stander Pos. #1	0.06	11.5%
Table 86	HAF4014A	Roof	809.0125	E	By-Stander Pos. #2	0.06	11.1%
Table 140	HAF4017A	Roof	809.0125	E	By-Stander Pos. #3	0.03	5.6%
Table 154	HAF4014A	Roof	764.0875	E	By-Stander Pos. #4	0.03	5.9%
Table 191	HAF4014A	Roof	773.0125	E	By-Stander Pos. #5	0.03	5.8%



**Table 2 – DVR UHF DQPM DVR4000P Assessments - Highest MPE result per test position**

Tables	Antenna Model	Antenna Location	Test Frequency (MHz)	E/H Field	Passenger/By-Stander Pos.	Max Calc Pwr Density (mW/cm <sup>2</sup> )	% of Uncontrolled limit
Table 4	HAE6012A	Trunk	405.0	E	Passenger	0.18	66.7%
Table 5	HAE6012A	Trunk	430.0	E	By-Stander Pos. #1	0.05	17.2%
Table 8	HAE6012A	Trunk	405.0	E	By-Stander Pos. #2	0.06	22.2%
Table 10	HAE6012A	Trunk	380.0	E	By-Stander Pos. #3	0.10	40.0%
Table 13	HAE6012A	Trunk	380.0	E	By-Stander Pos. #4	0.08	32.0%
Table 16	HAE6012A	Trunk	380.0	E	By-Stander Pos. #5	0.15	60.0%

**Table 3 - Combined 7/800MHz Mobile M20URS9PW1AN and DVR UHF DQPM DVR4000P (Calculated % of limit performance)**

Test Position	Percentage of Limit		
	7/800MHz Mobile (764-870MHz)	DVR UHF (380-430MHz)	Combined Percentages
Passenger	9.6%	66.7%	76.3%
By-Stander #1	11.5%	17.2%	28.7%
By-Stander #2	11.1%	22.2%	33.3%
By-Stander #3	5.6%	40.0%	45.6%
By-Stander #4	5.9%	32.0%	37.9%
By-Stander #5	5.8%	60.0%	65.8%

**12.0 Conclusion**

Because the signals emitted by each individual transmitter are statistically uncorrelated, the collective compliance of the transmitters is determined by summing the individual ratios between actual (S) and maximum allowed MPE exposure. Compliance is achieved if the total exposure level (T) is less than one:

Formula:

$$T = \frac{S_1}{MPE_1} + \frac{S_2}{MPE_2} + \dots < 1$$

Depending on the test frequency, the mobile assessments were performed with an output power range of 36.0W – 41.9W. The DVR output power across the TX band is 9.9W - 10.0W. The highest power density results for the XTL5000 7/800MHz mobile device scaled to the maximum allowable power output is 0.05mW/cm<sup>2</sup> internal to the vehicle and 0.06mW/cm<sup>2</sup> external to the vehicle. The highest power density results for the DVR UHF device scaled to the maximum allowable power output is 0.18mW/cm<sup>2</sup> internal to the vehicle and 0.15mW/cm<sup>2</sup> external to the vehicle. The highest combined power density performance is 76.3% of the FCC/IEEE MPE limits using the methodology and formula below.

Therefore:

$$\begin{array}{ll}
 \text{Passenger} & T = \frac{0.18}{0.27} + \frac{0.05}{0.52} = 0.763 < 1 & \text{(compliant)} \\
 \text{By-stander} & T = \frac{0.15}{0.25} + \frac{0.03}{0.52} = 0.658 < 1 & \text{(compliant)}
 \end{array}$$

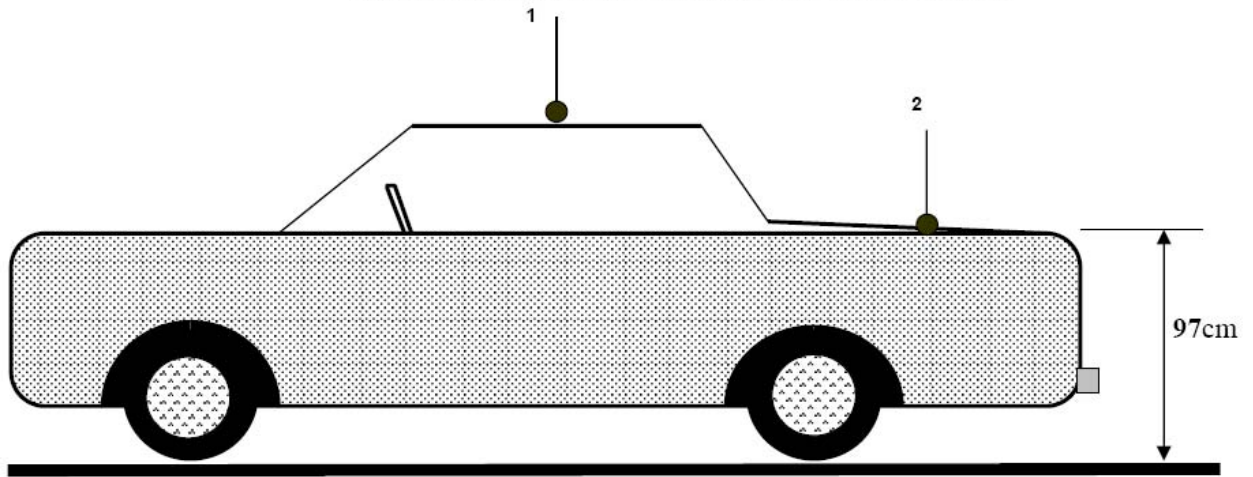
The MPE results presented herein demonstrate compliance to the applicable FCC/IEEE Occupational/Controlled exposure limit of 1.27-1.43mW/cm<sup>2</sup> for the 380-430MHz frequency range and 2.55-2.90mW/cm<sup>2</sup> for the 764-870MHz frequency range. FCC/IEEE Occupational/Controlled exposure limits are calculated by f/300 for the frequency range of 300-1500MHz.

Compliance to the FCC/IEEE General population/Uncontrolled exposure limits of 0.25-0.29mW/cm<sup>2</sup> for the frequency range of 380-430MHz and 0.51-0.58mW/cm<sup>2</sup> for frequency range of 764-870MHz, using formula f/1500, is demonstrated herein for both passengers and by-standers.

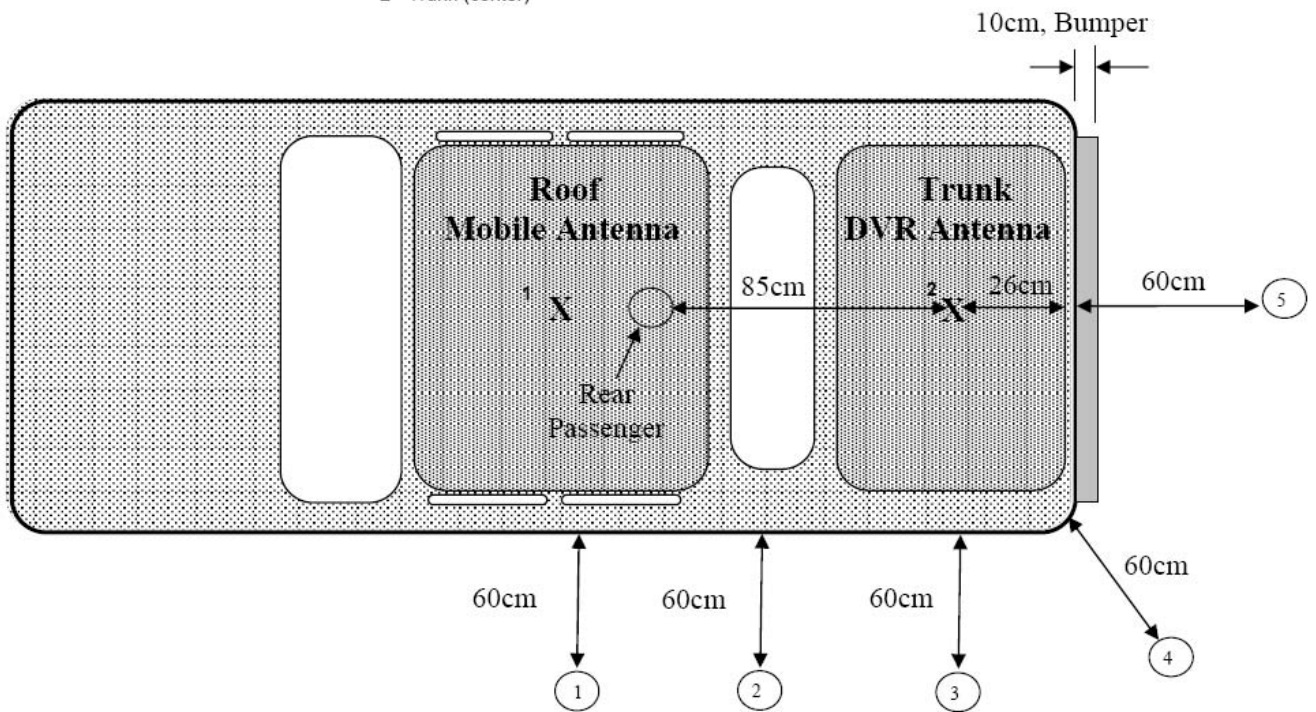
**APPENDIX A**

**Illustration of Antenna Locations and Test Distances**

**Illustration of Antenna Locations and Test Distances**



1 - Roof (center)  
2 - Trunk (center)



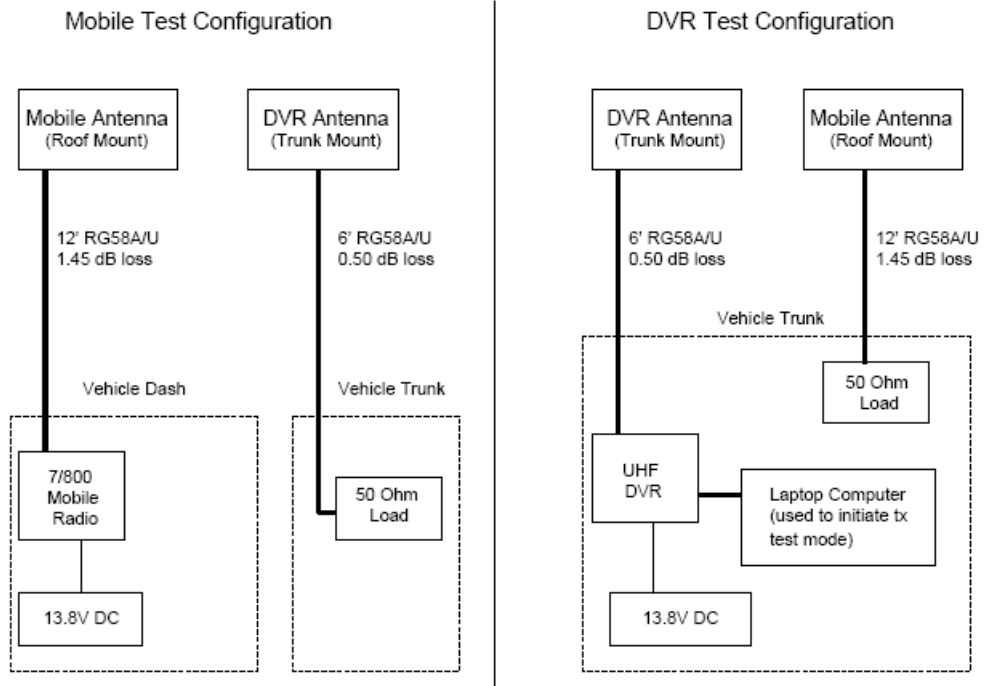
**Notes**

- 1) Assessments were performed at each test position for each offered antenna
- 2) By-stander positions (1-5) are 60cm from the vehicle body
- 3) By-stander position 2 is located at the mid point between the two antennas
- 4) Total distance between by-stander position 1 and roof mount antenna is 157cm
- 5) Total distance between by-stander position 5 and trunk mount antenna is 97cm
- 6) Total distance between trunk mount antenna and rear passenger is 85cm

**APPENDIX B**

**Block Diagram of MPE Test Configuration**

MPE Test Configuration



**APPENDIX C**

**Meter/Probe Calibration Certificates**



# Certificate of Calibration

L-3 Communications, Narda Microwave-East, hereby certifies that the referenced RF Radiation Hazard monitoring equipment has been calibrated in accordance with MIL-STD-45662A, ANSI Z540, ISO 10012 and ISO 9001: 2000.

The measured values were determined by comparison with our standards, which are traceable to the National Institute of Standards and Technology to the extent allowed by NIST's calibration facilities.

Customer: MOTOROLA  
 SCHAUMBURG, IL 60168-0429

Certificate #: 64777 1

Model #: 8718-10

Serial #: 01122

Description: METER W/CABLE

PO #: NP2398645

Date Calibrated: 04/20/2006

R.O. #: 64777

  
 Vince Donovan  
 Manufacturing

  
 Ken Peck  
 Quality Assurance

This certificate shall not be reproduced, except in full, without written approval from L-3 Communications, Narda Microwave-East





# Certificate of Calibration

L-3 Communications, Narda Microwave-East, hereby certifies that the referenced RF Radiation Hazard monitoring equipment has been calibrated in accordance with MIL-STD-45662A, ANSI Z540, ISO 10012 and ISO 9001: 2000.

The measured values were determined by comparison with our standards, which are traceable to the National Institute of Standards and Technology to the extent allowed by NIST's calibration facilities.

Customer: MOTOROLA  
SCHAUMBURG, IL 60168-0429

Certificate #: 64777 2

Model #: 8722B

Serial #: 12023


Description: PROBE

PO #: NP2398645

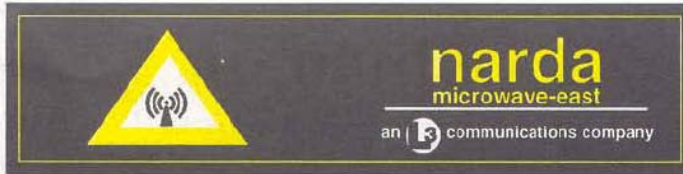
Date Calibrated: 04/20/2006

R.O. #: 64777

  
Vince Donovan  
Manufacturing

  
Ken Peck  
Quality Assurance

This certificate shall not be reproduced, except in full, without written approval from L-3 Communications, Narda Microwave-East



DATE 20-Apr-2006  
REL HUMIDITY 46%

RELEASE # R64777  
TEMP 21 DEG. C

NARDA MICROWAVE - EAST

MODEL # 8722B  
SERIAL # 12023

FREQ MHZ	PRE-CAL DATA	FINAL CAL DATA	ELLIPSE RATIO, dB	FINAL CORR. FACTOR
.30	0.81	0.78	+/- 0.24	1.28
3.00	1.27	1.23	+/- 0.38	0.81
10.00	0.76	0.74	+/- 0.23	1.35
30.00	0.65	0.63	+/- 0.13	1.58
100.00	1.17	1.14	+/- 0.22	0.88
300.00	0.90	0.87	+/- 0.34	1.14
750.00	1.31	1.27	+/- 0.30	0.79
1000.00	1.63	1.58	+/- 0.35	0.63
1700.00	1.00	0.97	+/- 0.48	1.03
2450.00	1.35	1.37	+/- 0.45	0.73
4000.00	0.92	0.93	+/- 0.43	1.07
8200.00	1.05	1.07	+/- 0.46	0.94
10000.00	1.05	1.07	+/- 0.42	0.94
18000.00	1.17	1.19	+/- 0.75	0.84
26500.00	0.93	0.94	+/- 0.83	1.07
40000.00	0.72	0.73	+/- 0.67	1.37

LOW FREQUENCY MULTIPLIER = 0.972      HIGH FREQUENCY MULTIPLIER = 1.014  
 FREQ. DEV. (3-40000 MHZ) = 3.993 DB  
 FREQ. DEV. (0.3-40000 MHZ) = 3.99 DB  
 MAX. ELLIPSE RATIO (0.3-40000 MHZ) = +/- 0.83 DB  
 PRE-CAL DATA REFLECTS THE MEAN ELLIPSE RATIO OF PROBE AS RECEIVED BY  
 NARDA CALIBRATION DEPARTMENT, OR IS THE INITIAL, UN-ADJUSTED RATIO.  
 (PRE-CAL x OLD CORR. FACTOR) - 1 = DEVIATION FROM PREVIOUS (OLD)  
 CALIBRATION DATA. NOTE: NOT APPLICABLE FOR NEW PROBES.  
 FINAL CAL DATA IS THE RATIO OF THE DISPLAYED TO THE APPLIED FIELD STRENGTH.  
 FINAL CORR. FACTOR IS THE RECIPROCAL OF FINAL CAL DATA.  
 FINAL CORR. FACTOR MULTIPLIED BY THE DISPLAYED FIELD STRENGTH READING  
 GIVES THE ACTUAL ("CORRECTED") FIELD STRENGTH.  
 ELLIPSE RATIO IS EXPRESSED IN dB DEVIATION FROM THE MEAN DATA  
 RMS Uncertainty = +/- 0.5db.    ATP # = 502120 REVJ

TESTER L-V      Q.A. APPROVAL [ACCEPT 110]

**APPENDIX D**

**Photos of Assessed Antennas**



**Antenna kit numbers, from left to right;  
DVR: HAE6012A, XTL5000: HAF4013A, HAF4016A, HAF4014A, HAF4017A**

**APPENDIX E**

**Detailed MPE Measurement Data**

**UHF DVR DQPM DVR4000P**

BS-Position 1

**Table 1**

External Vehicle MPE Assessment @ 380 MHz									
Antenna Location	Antenna Model	Gain (dBi)	Meas. Distance (cm)	E/H Field	Calibration Factor	Average over Body (mW/cm <sup>2</sup> )	Initial Power (W)	Pwr. Density Calc. (mW/cm <sup>2</sup> )	Pwr. Density Max Calc. (mW/cm <sup>2</sup> )
Trunk (cnt)	HAE6012A	2.15	60	E	1.08	0.017	10.0	0.017	0.02
Measurement Grid									
Test Position	Height (cm)	% of Control Limit	Test Position	Height (cm)	% of Control Limit	IEEE Controlled Limit		IEEE Uncontrolled Limit	
1	20	0.7%	6	120	1.2%	1.27		0.25	
2	40	1.0%	7	140	1.3%	RF Po (*Max)		10.0	
3	60	1.2%	8	160	1.6%				
4	80	1.1%	9	180	1.9%				
5	100	0.7%	10	200	2.7%				

P-Position 1

**Table 2**

Internal Vehicle MPE Assessment @ 380 MHz										
Antenna Location	Antenna	Gain (dBi)	Meas. Distance (cm)	E/H Field	Calibration Factor	Average over Head, Chest, Lower Trunk Back/Front seats (mW/cm <sup>2</sup> )		Initial Power (W)	Pwr. Density Calc. (mW/cm <sup>2</sup> )	Pwr. Density Max Calc. (mW/cm <sup>2</sup> )
						Back	Front			
Trunk (cnt)	HAE6012A	2.15	Highest Reading	E	1.08	0.121	0.029	10.0	0.121	0.12
Measurement Grid										
Test Position		% of Control Limit Head		% of Control Limit Chest		% of Control Limit Lower Trunk		IEEE Controlled Limit:		1.27
Back Seat		11.0%		5.7%		12.0%		IEEE Uncontrolled Limit:		0.25
Front Seat		2.4%		1.6%		2.8%		RF Po (*Max):		10.0

BS-Position 1

**Table 3**

External Vehicle MPE Assessment @ 405 MHz									
Antenna Location	Antenna Model	Gain (dBi)	Meas. Distance (cm)	E/H Field	Calibration Factor	Average over Body (mW/cm <sup>2</sup> )	Initial Power (W)	Pwr. Density Calc. (mW/cm <sup>2</sup> )	Pwr. Density Max Calc. (mW/cm <sup>2</sup> )
Trunk (cnt)	HAE6012A	2.15	60	E	1.06	0.036	9.92	0.036	0.04
Measurement Grid									
Test Position	Height (cm)	% of Control Limit	Test Position	Height (cm)	% of Control Limit	IEEE Controlled Limit		IEEE Uncontrolled Limit	
1	20	1.8%	6	120	2.8%	1.35		0.27	
2	40	1.8%	7	140	3.6%	RF Po (*Max)		10.0	
3	60	2.5%	8	160	3.5%				
4	80	2.2%	9	180	3.1%				
5	100	2.3%	10	200	3.3%				

**UHF DVR DQPM DVR4000P**

P-Position 1

**Table 4**

Internal Vehicle MPE Assessment @ 405 MHz										
Antenna Location	Antenna	Gain (dBi)	Meas. Distance (cm)	E/H Field	Calibration Factor	Average over Head, Chest, Lower Trunk Back/Front seats (mW/cm <sup>2</sup> )		Initial Power (W)	Pwr. Density Calc. (mW/cm <sup>2</sup> )	Pwr. Density Max Calc. (mW/cm <sup>2</sup> )
						Back	Front			
Trunk (cnt)	HAE6012A	2.15	Highest Reading	E	1.06	0.175	0.049	9.92	0.175	0.18
Measurement Grid										
Test Position		% of Control Limit Head		% of Control Limit Chest		% of Control Limit Lower Trunk		IEEE Controlled Limit:		1.35
Back Seat		18.3%		11.7%		8.8%		IEEE Uncontrolled Limit:		0.27
Front Seat		4.4%		3.5%		2.9%		RF Po (*Max):		10.0

BS-Position 1

**Table 5**

External Vehicle MPE Assessment @ 430 MHz										
Antenna Location	Antenna Model	Gain (dBi)	Meas. Distance (cm)	E/H Field	Calibration Factor	Average over Body (mW/cm <sup>2</sup> )	Initial Power (W)	Pwr. Density Calc. (mW/cm <sup>2</sup> )	Pwr. Density Max Calc. (mW/cm <sup>2</sup> )	
Trunk (cnt)	HAE6012A	2.15	60	E	1.04	0.049	10.00	0.049	0.05	
Measurement Grid										
Test Position	Height (cm)	% of Control Limit		Test Position	Height (cm)	% of Control Limit		IEEE Controlled Limit	IEEE Uncontrolled Limit	
1	20	2.3%		6	120	4.4%		1.43	0.29	
2	40	2.4%		7	140	4.2%				
3	60	3.9%		8	160	3.3%				
4	80	3.6%		9	180	3.4%				
5	100	3.3%		10	200	3.6%				
								RF Po (*Max)		10.0

P-Position 1

**Table 6**

Internal Vehicle MPE Assessment @ 430 MHz										
Antenna Location	Antenna	Gain (dBi)	Meas. Distance (cm)	E/H Field	Calibration Factor	Average over Head, Chest, Lower Trunk Back/Front seats (mW/cm <sup>2</sup> )		Initial Power (W)	Pwr. Density Calc. (mW/cm <sup>2</sup> )	Pwr. Density Max Calc. (mW/cm <sup>2</sup> )
						Back	Front			
Trunk (cnt)	HAE6012A	2.15	Highest Reading	E	1.04	0.190	0.070	10.00	0.190	0.19
Measurement Grid										
Test Position		% of Control Limit Head		% of Control Limit Chest		% of Control Limit Lower Trunk		IEEE Controlled Limit:		1.43
Back Seat		22.4%		8.8%		8.6%		IEEE Uncontrolled Limit:		0.29
Front Seat		6.0%		5.0%		3.7%		RF Po (*Max):		10.0

**UHF DVR DQPM DVR4000P**

BS-Position 2

**Table 7**

External Vehicle MPE Assessment @ 380 MHz									
Antenna Location	Antenna Model	Gain (dBi)	Meas. Distance (cm)	E/H Field	Calibration Factor	Average over Body (mW/cm <sup>2</sup> )	Initial Power (W)	Pwr. Density Calc. (mW/cm <sup>2</sup> )	Pwr. Density Max Calc. (mW/cm <sup>2</sup> )
Trunk (cnt)	HAE6012A	2.15	60	E	1.08	0.049	10.0	0.049	0.05
Measurement Grid									
Test Position	Height (cm)	% of Control Limit	Test Position	Height (cm)	% of Control Limit	IEEE Controlled Limit	IEEE Uncontrolled Limit		
1	20	2.1%	6	120	3.4%	1.27			
2	40	2.1%	7	140	3.9%				
3	60	2.4%	8	160	5.3%				
4	80	2.5%	9	180	6.2%				
5	100	2.4%	10	200	8.4%			RF Po (*Max) 10.0	

BS-Position 2

**Table 8**

External Vehicle MPE Assessment @ 405 MHz									
Antenna Location	Antenna Model	Gain (dBi)	Meas. Distance (cm)	E/H Field	Calibration Factor	Average over Body (mW/cm <sup>2</sup> )	Initial Power (W)	Pwr. Density Calc. (mW/cm <sup>2</sup> )	Pwr. Density Max Calc. (mW/cm <sup>2</sup> )
Trunk (cnt)	HAE6012A	2.15	60	E	1.06	0.061	9.92	0.061	0.06
Measurement Grid									
Test Position	Height (cm)	% of Control Limit	Test Position	Height (cm)	% of Control Limit	IEEE Controlled Limit	IEEE Uncontrolled Limit		
1	20	2.8%	6	120	4.9%	1.35			
2	40	2.4%	7	140	5.5%				
3	60	3.4%	8	160	5.3%				
4	80	4.4%	9	180	5.7%				
5	100	4.0%	10	200	6.6%			RF Po (*Max) 10.0	

BS-Position 2

**Table 9**

External Vehicle MPE Assessment @ 430 MHz									
Antenna Location	Antenna Model	Gain (dBi)	Meas. Distance (cm)	E/H Field	Calibration Factor	Average over Body (mW/cm <sup>2</sup> )	Initial Power (W)	Pwr. Density Calc. (mW/cm <sup>2</sup> )	Pwr. Density Max Calc. (mW/cm <sup>2</sup> )
Trunk (cnt)	HAE6012A	2.15	60	E	1.04	0.057	10.00	0.057	0.06
Measurement Grid									
Test Position	Height (cm)	% of Control Limit	Test Position	Height (cm)	% of Control Limit	IEEE Controlled Limit	IEEE Uncontrolled Limit		
1	20	3.0%	6	120	4.5%	1.43			
2	40	2.2%	7	140	5.1%				
3	60	2.8%	8	160	5.6%				
4	80	2.8%	9	180	5.8%				
5	100	2.7%	10	200	5.0%			RF Po (*Max) 10.0	



**UHF DVR DQPM DVR4000P**

BS-Position 3

**Table 10**

External Vehicle MPE Assessment @ 380 MHz									
Antenna Location	Antenna Model	Gain (dBi)	Meas. Distance (cm)	E/H Field	Calibration Factor	Average over Body (mW/cm <sup>2</sup> )	Initial Power (W)	Pwr. Density Calc. (mW/cm <sup>2</sup> )	Pwr. Density Max Calc. (mW/cm <sup>2</sup> )
Trunk (cnt)	HAE6012A	2.15	60	E	1.08	0.102	10.0	0.102	0.10
Measurement Grid									
Test Position	Height (cm)	% of Control Limit	Test Position	Height (cm)	% of Control Limit	IEEE Controlled Limit		IEEE Uncontrolled Limit	
1	20	5.9%	6	120	9.6%	1.27		0.25	
2	40	4.7%	7	140	9.7%				
3	60	5.1%	8	160	10.3%				
4	80	8.3%	9	180	9.3%				
5	100	8.8%	10	200	8.6%				
								<b>RF Po (*Max)</b>	
								10.0	

BS-Position 3

**Table 11**

External Vehicle MPE Assessment @ 405 MHz									
Antenna Location	Antenna Model	Gain (dBi)	Meas. Distance (cm)	E/H Field	Calibration Factor	Average over Body (mW/cm <sup>2</sup> )	Initial Power (W)	Pwr. Density Calc. (mW/cm <sup>2</sup> )	Pwr. Density Max Calc. (mW/cm <sup>2</sup> )
Trunk (cnt)	HAE6012A	2.15	60	E	1.06	0.100	9.92	0.100	0.10
Measurement Grid									
Test Position	Height (cm)	% of Control Limit	Test Position	Height (cm)	% of Control Limit	IEEE Controlled Limit		IEEE Uncontrolled Limit	
1	20	4.6%	6	120	7.4%	1.35		0.27	
2	40	3.8%	7	140	9.4%				
3	60	5.5%	8	160	9.6%				
4	80	7.3%	9	180	9.8%				
5	100	7.1%	10	200	9.7%				
								<b>RF Po (*Max)</b>	
								10.0	

BS-Position 3

**Table 12**

External Vehicle MPE Assessment @ 430 MHz									
Antenna Location	Antenna Model	Gain (dBi)	Meas. Distance (cm)	E/H Field	Calibration Factor	Average over Body (mW/cm <sup>2</sup> )	Initial Power (W)	Pwr. Density Calc. (mW/cm <sup>2</sup> )	Pwr. Density Max Calc. (mW/cm <sup>2</sup> )
Trunk (cnt)	HAE6012A	2.15	60	E	1.04	0.070	10.00	0.070	0.07
Measurement Grid									
Test Position	Height (cm)	% of Control Limit	Test Position	Height (cm)	% of Control Limit	IEEE Controlled Limit		IEEE Uncontrolled Limit	
1	20	4.2%	6	120	5.0%	1.43		0.29	
2	40	3.1%	7	140	5.7%				
3	60	4.0%	8	160	6.2%				
4	80	4.6%	9	180	6.0%				
5	100	5.1%	10	200	5.2%				
								<b>RF Po (*Max)</b>	
								10.0	

**UHF DVR DQPM DVR4000P**

BS-Position 4

**Table 13**

External Vehicle MPE Assessment @ 380 MHz									
Antenna Location	Antenna Model	Gain (dBi)	Meas. Distance (cm)	E/H Field	Calibration Factor	Average over Body (mW/cm <sup>2</sup> )	Initial Power (W)	Pwr. Density Calc. (mW/cm <sup>2</sup> )	Pwr. Density Max Calc. (mW/cm <sup>2</sup> )
Trunk (cnt)	HAE6012A	2.15	60	E	1.08	0.082	10.0	0.082	0.08
Measurement Grid									
Test Position	Height (cm)	% of Control Limit	Test Position	Height (cm)	% of Control Limit	IEEE Controlled Limit	IEEE Uncontrolled Limit		
1	20	3.8%	6	120	7.5%	1.27	0.25		
2	40	5.0%	7	140	7.6%				
3	60	5.8%	8	160	7.2%				
4	80	7.3%	9	180	7.5%				
5	100	6.3%	10	200	6.9%				
								<b>RF Po (*Max)</b>	

BS-Position 4

**Table 14**

External Vehicle MPE Assessment @ 405 MHz									
Antenna Location	Antenna Model	Gain (dBi)	Meas. Distance (cm)	E/H Field	Calibration Factor	Average over Body (mW/cm <sup>2</sup> )	Initial Power (W)	Pwr. Density Calc. (mW/cm <sup>2</sup> )	Pwr. Density Max Calc. (mW/cm <sup>2</sup> )
Trunk (cnt)	HAE6012A	2.15	60	E	1.06	0.077	9.92	0.077	0.08
Measurement Grid									
Test Position	Height (cm)	% of Control Limit	Test Position	Height (cm)	% of Control Limit	IEEE Controlled Limit	IEEE Uncontrolled Limit		
1	20	4.6%	6	120	6.1%	1.35	0.27		
2	40	3.7%	7	140	7.2%				
3	60	4.9%	8	160	6.1%				
4	80	5.6%	9	180	6.8%				
5	100	5.7%	10	200	6.0%				
								<b>RF Po (*Max)</b>	

BS-Position 4

**Table 15**

External Vehicle MPE Assessment @ 430 MHz									
Antenna Location	Antenna Model	Gain (dBi)	Meas. Distance (cm)	E/H Field	Calibration Factor	Average over Body (mW/cm <sup>2</sup> )	Initial Power (W)	Pwr. Density Calc. (mW/cm <sup>2</sup> )	Pwr. Density Max Calc. (mW/cm <sup>2</sup> )
Trunk (cnt)	HAE6012A	2.15	60	E	1.04	0.081	10.00	0.081	0.08
Measurement Grid									
Test Position	Height (cm)	% of Control Limit	Test Position	Height (cm)	% of Control Limit	IEEE Controlled Limit	IEEE Uncontrolled Limit		
1	20	4.6%	6	120	6.9%	1.43	0.29		
2	40	4.8%	7	140	6.8%				
3	60	4.7%	8	160	5.5%				
4	80	5.0%	9	180	5.8%				
5	100	6.6%	10	200	5.8%				
								<b>RF Po (*Max)</b>	

**UHF DVR DQPM DVR4000P**

BS-Position 5

**Table 16**

External Vehicle MPE Assessment @ 380 MHz									
Antenna Location	Antenna Model	Gain (dBi)	Meas. Distance (cm)	E/H Field	Calibration Factor	Average over Body (mW/cm <sup>2</sup> )	Initial Power (W)	Pwr. Density Calc. (mW/cm <sup>2</sup> )	Pwr. Density Max Calc. (mW/cm <sup>2</sup> )
Trunk (cnt)	HAE6012A	2.15	60	E	1.08	0.149	10.0	0.149	0.15
Measurement Grid									
Test Position	Height (cm)	% of Control Limit	Test Position	Height (cm)	% of Control Limit	IEEE Controlled Limit	IEEE Uncontrolled Limit		
1	20	5.9%	6	120	14.9%	1.27	0.25		
2	40	6.2%	7	140	14.7%				
3	60	10.0%	8	160	14.4%				
4	80	9.7%	9	180	14.0%			RF Po (*Max)	
5	100	14.1%	10	200	13.5%			10.0	

BS-Position 5

**Table 17**

External Vehicle MPE Assessment @ 405 MHz									
Antenna Location	Antenna Model	Gain (dBi)	Meas. Distance (cm)	E/H Field	Calibration Factor	Average over Body (mW/cm <sup>2</sup> )	Initial Power (W)	Pwr. Density Calc. (mW/cm <sup>2</sup> )	Pwr. Density Max Calc. (mW/cm <sup>2</sup> )
Trunk (cnt)	HAE6012A	2.15	60	E	1.06	0.124	9.92	0.124	0.12
Measurement Grid									
Test Position	Height (cm)	% of Control Limit	Test Position	Height (cm)	% of Control Limit	IEEE Controlled Limit	IEEE Uncontrolled Limit		
1	20	5.3%	6	120	12.5%	1.35	0.27		
2	40	4.8%	7	140	10.6%				
3	60	9.0%	8	160	9.3%				
4	80	10.8%	9	180	8.9%			RF Po (*Max)	
5	100	12.6%	10	200	7.8%			10.0	

BS-Position 5

**Table 18**

External Vehicle MPE Assessment @ 430 MHz									
Antenna Location	Antenna Model	Gain (dBi)	Meas. Distance (cm)	E/H Field	Calibration Factor	Average over Body (mW/cm <sup>2</sup> )	Initial Power (W)	Pwr. Density Calc. (mW/cm <sup>2</sup> )	Pwr. Density Max Calc. (mW/cm <sup>2</sup> )
Trunk (cnt)	HAE6012A	2.15	60	E	1.04	0.103	10.00	0.103	0.10
Measurement Grid									
Test Position	Height (cm)	% of Control Limit	Test Position	Height (cm)	% of Control Limit	IEEE Controlled Limit	IEEE Uncontrolled Limit		
1	20	4.9%	6	120	8.2%	1.43	0.29		
2	40	4.9%	7	140	8.8%				
3	60	7.5%	8	160	7.8%				
4	80	8.0%	9	180	6.1%			RF Po (*Max)	
5	100	10.1%	10	200	5.8%			10.0	

7/800MHz Mobile M20URS9PW1AN

BS-Position 1

Table 1

External Vehicle MPE Assessment @ 764.0875 MHz									
Antenna Location	Antenna Model	Gain (dBi)	Meas. Distance (cm)	E/H Field	Calibration Factor	Average over Body (mW/cm <sup>2</sup> )	Initial Power (W)	Pwr. Density Calc. (mW/cm <sup>2</sup> )	Pwr. Density Max Calc. (mW/cm <sup>2</sup> )
Roof (cnt)	HAF4016A	2.15	60	E	0.78	0.077	36.0	0.038	0.04
Measurement Grid									
Test Position	Height (cm)	% of Control Limit		Test Position	Height (cm)	% of Control Limit		IEEE Controlled Limit	IEEE Uncontrolled Limit
1	20	0.6%		6	120	2.4%		2.55	0.51
2	40	0.8%		7	140	3.7%			
3	60	0.9%		8	160	6.4%			
4	80	0.7%		9	180	6.8%			
5	100	1.2%		10	200	6.6%			
								RF Po (*Max)	36.0

P-Position 1

Table 2

Internal Vehicle MPE Assessment @ 764.0875 MHz										
Antenna Location	Antenna Model	Gain (dBi)	Meas. Distance (cm)	E/H Field	Calibration Factor	Average over Head, Chest, Lower Trunk Back/Front seats (mW/cm <sup>2</sup> )		Initial Power (W)	Pwr. Density Calc. (mW/cm <sup>2</sup> )	Pwr. Density Max Calc. (mW/cm <sup>2</sup> )
						Back	Front			
Roof (cnt)	HAF4016A	2.15	Highest Reading	E	0.78	0.059	0.032	36.0	0.030	0.03
Measurement Grid										
Test Position		% of Control Limit Head		% of Control Limit Chest		% of Control Limit Lower Trunk		IEEE Controlled Limit:		2.55
Back Seat		2.2%		2.9%		1.9%		IEEE Uncontrolled Limit:		0.51
Front Seat		1.8%		1.0%		1.0%		RF Po (*Max):		36.0

BS-Position 1

Table 3

External Vehicle MPE Assessment @ 773.0125 MHz									
Antenna Location	Antenna Model	Gain (dBi)	Meas. Distance (cm)	E/H Field	Calibration Factor	Average over Body (mW/cm <sup>2</sup> )	Initial Power (W)	Pwr. Density Calc. (mW/cm <sup>2</sup> )	Pwr. Density Max Calc. (mW/cm <sup>2</sup> )
Roof (cnt)	HAF4016A	2.15	60	E	0.78	0.081	36.0	0.041	0.04
Measurement Grid									
Test Position	Height (cm)	% of Control Limit		Test Position	Height (cm)	% of Control Limit		IEEE Controlled Limit	IEEE Uncontrolled Limit
1	20	0.6%		6	120	2.5%		2.58	0.52
2	40	0.7%		7	140	3.4%			
3	60	0.7%		8	160	6.0%			
4	80	0.8%		9	180	7.2%			
5	100	1.5%		10	200	8.1%			
								RF Po (*Max)	36.0

7/800MHz Mobile M20URS9PW1AN

P-Position 1

Table 4

Internal Vehicle MPE Assessment @ 773.0125 MHz										
Antenna Location	Antenna	Gain (dBi)	Meas. Distance (cm)	E/H Field	Calibration Factor	Average over Head, Chest, Lower Trunk Back/Front seats (mW/cm <sup>2</sup> )		Initial Power (W)	Pwr. Density Calc. (mW/cm <sup>2</sup> )	Pwr. Density Max Calc. (mW/cm <sup>2</sup> )
						Back	Front			
Roof (cnt)	HAF4016A	2.15	Highest Reading	E	0.78	0.073	0.036	36.0	0.037	0.04
Measurement Grid										
Test Position		% of Control Limit Head		% of Control Limit Chest		% of Control Limit Lower Trunk		IEEE Controlled Limit:		2.58
Back Seat		3.0%		3.6%		1.9%		IEEE Uncontrolled Limit:		0.52
Front Seat		1.5%		1.7%		1.0%		RF Po (*Max):		36.0

BS-Position 1

Table 5

External Vehicle MPE Assessment @ 775.9125 MHz										
Antenna Location	Antenna Model	Gain (dBi)	Meas. Distance (cm)	E/H Field	Calibration Factor	Average over Body (mW/cm <sup>2</sup> )	Initial Power (W)	Pwr. Density Calc. (mW/cm <sup>2</sup> )	Pwr. Density Max Calc. (mW/cm <sup>2</sup> )	
Roof (cnt)	HAF4016A	2.15	60	E	0.77	0.084	36.1	0.042	0.04	
Measurement Grid										
Test Position	Height (cm)	% of Control Limit		Test Position	Height (cm)	% of Control Limit		IEEE Controlled Limit	IEEE Uncontrolled Limit	
1	20	1.1%		6	120	3.0%		2.59	0.52	
2	40	0.9%		7	140	3.9%				
3	60	1.2%		8	160	5.3%				
4	80	1.3%		9	180	7.2%				
5	100	1.9%		10	200	6.5%				
								RF Po (*Max):		36.0

P-Position 1

Table 6

Internal Vehicle MPE Assessment @ 775.9125 MHz										
Antenna Location	Antenna	Gain (dBi)	Meas. Distance (cm)	E/H Field	Calibration Factor	Average over Head, Chest, Lower Trunk Back/Front seats (mW/cm <sup>2</sup> )		Initial Power (W)	Pwr. Density Calc. (mW/cm <sup>2</sup> )	Pwr. Density Max Calc. (mW/cm <sup>2</sup> )
						Back	Front			
Roof (cnt)	HAF4016A	2.15	Highest Reading	E	0.77	0.063	0.030	36.1	0.031	0.03
Measurement Grid										
Test Position		% of Control Limit Head		% of Control Limit Chest		% of Control Limit Lower Trunk		IEEE Controlled Limit:		2.59
Back Seat		2.3%		3.0%		2.0%		IEEE Uncontrolled Limit:		0.52
Front Seat		1.5%		1.0%		1.0%		RF Po (*Max):		36.0

7/800MHz Mobile M20URS9PW1AN

BS-Position 1

Table 7

External Vehicle MPE Assessment @ 794.0875 MHz										
Antenna Location	Antenna Model	Gain (dBi)	Meas. Distance (cm)	E/H Field	Calibration Factor	Average over Body (mW/cm <sup>2</sup> )	Initial Power (W)	Pwr. Density Calc. (mW/cm <sup>2</sup> )	Pwr. Density Max Calc. (mW/cm <sup>2</sup> )	
Roof (cnt)	HAF4016A	2.15	60	E	0.76	0.078	37.0	0.039	0.04	
Measurement Grid										
Test Position	Height (cm)	% of Control Limit		Test Position	Height (cm)	% of Control Limit		IEEE Controlled Limit	IEEE Uncontrolled Limit	
1	20	1.2%		6	120	3.1%		2.65	0.53	
2	40	1.1%		7	140	3.4%				
3	60	1.1%		8	160	4.8%				
4	80	1.5%		9	180	5.7%				
5	100	2.2%		10	200	5.4%				
								RF Po (*Max)		36.0

P-Position 1

Table 8

Internal Vehicle MPE Assessment @ 794.0875 MHz										
Antenna Location	Antenna Model	Gain (dBi)	Meas. Distance (cm)	E/H Field	Calibration Factor	Average over Head, Chest, Lower Trunk Back/Front seats (mW/cm <sup>2</sup> )		Initial Power (W)	Pwr. Density Calc. (mW/cm <sup>2</sup> )	Pwr. Density Max Calc. (mW/cm <sup>2</sup> )
						Back	Front			
Roof (cnt)	HAF4016A	2.15	Highest Reading	E	0.76	0.067	0.032	37.0	0.034	0.03
Measurement Grid										
Test Position		% of Control Limit Head		% of Control Limit Chest		% of Control Limit Lower Trunk		IEEE Controlled Limit:		2.65
Back Seat		1.5%		4.2%		1.9%		IEEE Uncontrolled Limit:		0.53
Front Seat		1.3%		1.3%		1.0%		RF Po (*Max):		36.0

BS-Position 1

Table 9

External Vehicle MPE Assessment @ 809.0125 MHz										
Antenna Location	Antenna Model	Gain (dBi)	Meas. Distance (cm)	E/H Field	Calibration Factor	Average over Body (mW/cm <sup>2</sup> )	Initial Power (W)	Pwr. Density Calc. (mW/cm <sup>2</sup> )	Pwr. Density Max Calc. (mW/cm <sup>2</sup> )	
Roof (cnt)	HAF4016A	2.15	60	E	0.75	0.099	41.3	0.050	0.05	
Measurement Grid										
Test Position	Height (cm)	% of Control Limit		Test Position	Height (cm)	% of Control Limit		IEEE Controlled Limit	IEEE Uncontrolled Limit	
1	20	1.3%		6	120	3.4%		2.70	0.54	
2	40	0.9%		7	140	5.5%				
3	60	1.1%		8	160	7.4%				
4	80	1.3%		9	180	7.1%				
5	100	2.1%		10	200	6.7%				
								RF Po (*Max)		42.0

7/800MHz Mobile M20URS9PW1AN

P-Position 1

Table 10

Internal Vehicle MPE Assessment @ 809.0125 MHz										
Antenna Location	Antenna	Gain (dBi)	Meas. Distance (cm)	E/H Field	Calibration Factor	Average over Head, Chest, Lower Trunk Back/Front seats (mW/cm <sup>2</sup> )		Initial Power (W)	Pwr. Density Calc. (mW/cm <sup>2</sup> )	Pwr. Density Max Calc. (mW/cm <sup>2</sup> )
						Back	Front			
Roof (cnt)	HAF4016A	2.15	Highest Reading	E	0.75	0.068	0.040	41.3	0.034	0.03
Measurement Grid										
Test Position		% of Control Limit Head		% of Control Limit Chest		% of Control Limit Lower Trunk		IEEE Controlled Limit:		2.70
Back Seat		2.7%		3.6%		1.3%		IEEE Uncontrolled Limit:		0.54
Front Seat		1.5%		1.5%		1.4%		RF Po (*Max):		42.0

BS-Position 1

Table 11

External Vehicle MPE Assessment @ 823.9875 MHz										
Antenna Location	Antenna Model	Gain (dBi)	Meas. Distance (cm)	E/H Field	Calibration Factor	Average over Body (mW/cm <sup>2</sup> )	Initial Power (W)	Pwr. Density Calc. (mW/cm <sup>2</sup> )	Pwr. Density Max Calc. (mW/cm <sup>2</sup> )	
Roof (cnt)	HAF4016A	2.15	60	E	0.74	0.083	41.6	0.041	0.04	
Measurement Grid										
Test Position	Height (cm)	% of Control Limit		Test Position	Height (cm)	% of Control Limit		IEEE Controlled Limit	IEEE Uncontrolled Limit	
1	20	1.4%		6	120	2.3%		2.75	0.55	
2	40	0.6%		7	140	4.4%				
3	60	1.1%		8	160	5.4%				
4	80	1.7%		9	180	5.5%				
5	100	1.8%		10	200	6.0%				
								RF Po (*Max)		42.0

P-Position 1

Table 12

Internal Vehicle MPE Assessment @ 823.9875 MHz										
Antenna Location	Antenna	Gain (dBi)	Meas. Distance (cm)	E/H Field	Calibration Factor	Average over Head, Chest, Lower Trunk Back/Front seats (mW/cm <sup>2</sup> )		Initial Power (W)	Pwr. Density Calc. (mW/cm <sup>2</sup> )	Pwr. Density Max Calc. (mW/cm <sup>2</sup> )
						Back	Front			
Roof (cnt)	HAF4016A	2.15	Highest Reading	E	0.74	0.049	0.051	41.6	0.026	0.03
Measurement Grid										
Test Position		% of Control Limit Head		% of Control Limit Chest		% of Control Limit Lower Trunk		IEEE Controlled Limit:		2.75
Back Seat		1.9%		2.2%		1.3%		IEEE Uncontrolled Limit:		0.55
Front Seat		1.9%		1.7%		2.0%		RF Po (*Max):		42.0

7/800MHz Mobile M20URS9PW1AN

BS-Position 1

Table 13

External Vehicle MPE Assessment @ 851.0125 MHz									
Antenna Location	Antenna Model	Gain (dBi)	Meas. Distance (cm)	E/H Field	Calibration Factor	Average over Body (mW/cm <sup>2</sup> )	Initial Power (W)	Pwr. Density Calc. (mW/cm <sup>2</sup> )	Pwr. Density Max Calc. (mW/cm <sup>2</sup> )
Roof (cnt)	HAF4016A	2.15	60	E	0.73	0.074	41.9	0.037	0.04
Measurement Grid									
Test Position	Height (cm)	% of Control Limit		Test Position	Height (cm)	% of Control Limit		IEEE Controlled Limit	IEEE Uncontrolled Limit
1	20	0.6%		6	120	2.6%		2.84	0.57
2	40	0.8%		7	140	3.4%			
3	60	1.1%		8	160	4.4%			
4	80	1.3%		9	180	5.0%			
5	100	1.9%		10	200	4.9%			
								<b>RF Po (*Max)</b>	42.0

P-Position 1

Table 14

Internal Vehicle MPE Assessment @ 851.0125 MHz										
Antenna Location	Antenna Model	Gain (dBi)	Meas. Distance (cm)	E/H Field	Calibration Factor	Average over Head, Chest, Lower Trunk Back/Front seats (mW/cm <sup>2</sup> )		Initial Power (W)	Pwr. Density Calc. (mW/cm <sup>2</sup> )	Pwr. Density Max Calc. (mW/cm <sup>2</sup> )
						Back	Front			
Roof (cnt)	HAF4016A	2.15	Highest Reading	E	0.73	0.045	0.026	41.9	0.023	0.02
Measurement Grid										
Test Position		% of Control Limit Head		% of Control Limit Chest		% of Control Limit Lower Trunk		IEEE Controlled Limit:		2.84
Back Seat		1.0%		1.2%		2.6%		IEEE Uncontrolled Limit:		0.57
Front Seat		0.8%		1.0%		1.0%		<b>RF Po (*Max):</b>		42.0

BS-Position 1

Table 15

External Vehicle MPE Assessment @ 859.0125 MHz									
Antenna Location	Antenna Model	Gain (dBi)	Meas. Distance (cm)	E/H Field	Calibration Factor	Average over Body (mW/cm <sup>2</sup> )	Initial Power (W)	Pwr. Density Calc. (mW/cm <sup>2</sup> )	Pwr. Density Max Calc. (mW/cm <sup>2</sup> )
Roof (cnt)	HAF4016A	2.15	60	E	0.72	0.069	41.7	0.035	0.03
Measurement Grid									
Test Position	Height (cm)	% of Control Limit		Test Position	Height (cm)	% of Control Limit		IEEE Controlled Limit	IEEE Uncontrolled Limit
1	20	0.7%		6	120	2.2%		2.86	0.57
2	40	0.5%		7	140	2.8%			
3	60	1.2%		8	160	4.5%			
4	80	1.2%		9	180	4.8%			
5	100	1.2%		10	200	5.0%			
								<b>RF Po (*Max)</b>	42.0



7/800MHz Mobile M20URS9PW1AN

P-Position 1

Table 16

Internal Vehicle MPE Assessment @ 859.0125 MHz										
Antenna Location	Antenna	Gain (dBi)	Meas. Distance (cm)	E/H Field	Calibration Factor	Average over Head, Chest, Lower Trunk Back/Front seats (mW/cm <sup>2</sup> )		Initial Power (W)	Pwr. Density Calc. (mW/cm <sup>2</sup> )	Pwr. Density Max Calc. (mW/cm <sup>2</sup> )
						Back	Front			
Roof (cnt)	HAF4016A	2.15	Highest Reading	E	0.72	0.047	0.057	41.7	0.029	0.03
Measurement Grid										
Test Position		% of Control Limit Head		% of Control Limit Chest		% of Control Limit Lower Trunk		IEEE Controlled Limit:		2.86
Back Seat		1.5%		1.5%		1.9%		IEEE Uncontrolled Limit:		0.57
Front Seat		2.0%		2.0%		2.0%		RF Po (*Max):		42.0

BS-Position 1

Table 17

External Vehicle MPE Assessment @ 868.9875 MHz									
Antenna Location	Antenna Model	Gain (dBi)	Meas. Distance (cm)	E/H Field	Calibration Factor	Average over Body (mW/cm <sup>2</sup> )	Initial Power (W)	Pwr. Density Calc. (mW/cm <sup>2</sup> )	Pwr. Density Max Calc. (mW/cm <sup>2</sup> )
Roof (cnt)	HAF4016A	2.15	60	E	0.71	0.077	41.9	0.039	0.04
Measurement Grid									
Test Position	Height (cm)	% of Control Limit		Test Position	Height (cm)	% of Control Limit		IEEE Controlled Limit	IEEE Uncontrolled Limit
1	20	0.4%		6	120	1.6%		42.0	0.58
2	40	0.5%		7	140	3.6%			
3	60	1.0%		8	160	5.0%			
4	80	1.0%		9	180	6.0%			
5	100	1.6%		10	200	5.9%			

P-Position 1

Table 18

Internal Vehicle MPE Assessment @ 868.9875 MHz										
Antenna Location	Antenna	Gain (dBi)	Meas. Distance (cm)	E/H Field	Calibration Factor	Average over Head, Chest, Lower Trunk Back/Front seats (mW/cm <sup>2</sup> )		Initial Power (W)	Pwr. Density Calc. (mW/cm <sup>2</sup> )	Pwr. Density Max Calc. (mW/cm <sup>2</sup> )
						Back	Front			
Roof (cnt)	HAF4016A	2.15	Highest Reading	E	0.71	0.020	0.014	41.9	0.010	0.01
Measurement Grid										
Test Position		% of Control Limit Head		% of Control Limit Chest		% of Control Limit Lower Trunk		IEEE Controlled Limit:		2.90
Back Seat		0.9%		0.6%		0.6%		IEEE Uncontrolled Limit:		0.58
Front Seat		0.4%		0.5%		0.5%		RF Po (*Max):		42.0

7/800MHz Mobile M20URS9PW1AN

BS-Position 1

Table 19

External Vehicle MPE Assessment @ 764.0875 MHz									
Antenna Location	Antenna Model	Gain (dBi)	Meas. Distance (cm)	E/H Field	Calibration Factor	Average over Body (mW/cm <sup>2</sup> )	Initial Power (W)	Pwr. Density Calc. (mW/cm <sup>2</sup> )	Pwr. Density Max Calc. (mW/cm <sup>2</sup> )
Roof (cnt)	HAF4014A	5.15	60	E	0.78	0.092	36.0	0.046	0.05
Measurement Grid									
Test Position	Height (cm)	% of Control Limit		Test Position	Height (cm)	% of Control Limit		IEEE Controlled Limit	IEEE Uncontrolled Limit
1	20	1.4%		6	120	4.8%		2.55	0.51
2	40	1.1%		7	140	5.5%			
3	60	1.5%		8	160	6.8%			
4	80	1.4%		9	180	6.5%			
5	100	1.9%		10	200	5.1%			
								RF Po (*Max)	36.0

P-Position 1

Table 20

Internal Vehicle MPE Assessment @ 764.0875 MHz										
Antenna Location	Antenna Model	Gain (dBi)	Meas. Distance (cm)	E/H Field	Calibration Factor	Average over Head, Chest, Lower Trunk Back/Front seats (mW/cm <sup>2</sup> )		Initial Power (W)	Pwr. Density Calc. (mW/cm <sup>2</sup> )	Pwr. Density Max Calc. (mW/cm <sup>2</sup> )
						Back	Front			
Roof (cnt)	HAF4014A	5.15	Highest Reading	E	0.78	0.081	0.036	36.0	0.040	0.04
Measurement Grid										
Test Position		% of Control Limit Head		% of Control Limit Chest		% of Control Limit Lower Trunk		IEEE Controlled Limit:		2.55
Back Seat		3.2%		4.0%		2.3%		IEEE Uncontrolled Limit:		0.51
Front Seat		2.0%		0.9%		1.3%		RF Po (*Max):		36.0

BS-Position 1

Table 21

External Vehicle MPE Assessment @ 773.0125 MHz									
Antenna Location	Antenna Model	Gain (dBi)	Meas. Distance (cm)	E/H Field	Calibration Factor	Average over Body (mW/cm <sup>2</sup> )	Initial Power (W)	Pwr. Density Calc. (mW/cm <sup>2</sup> )	Pwr. Density Max Calc. (mW/cm <sup>2</sup> )
Roof (cnt)	HAF4014A	5.15	60	E	0.78	0.119	36.0	0.059	0.06
Measurement Grid									
Test Position	Height (cm)	% of Control Limit		Test Position	Height (cm)	% of Control Limit		IEEE Controlled Limit	IEEE Uncontrolled Limit
1	20	1.4%		6	120	6.6%		2.58	0.52
2	40	0.9%		7	140	6.8%			
3	60	0.9%		8	160	10.1%			
4	80	1.4%		9	180	9.1%			
5	100	3.3%		10	200	5.5%			
								RF Po (*Max)	36.0

7/800MHz Mobile M20URS9PW1AN

P-Position 1

Table 22

Internal Vehicle MPE Assessment @ 773.0125 MHz										
Antenna Location	Antenna	Gain (dBi)	Meas. Distance (cm)	E/H Field	Calibration Factor	Average over Head, Chest, Lower Trunk Back/Front seats (mW/cm <sup>2</sup> )		Initial Power (W)	Pwr. Density Calc. (mW/cm <sup>2</sup> )	Pwr. Density Max Calc. (mW/cm <sup>2</sup> )
						Back	Front			
Roof (cnt)	HAF4014A	5.15	Highest Reading	E	0.78	0.094	0.033	36.0	0.047	0.05
Measurement Grid										
Test Position		% of Control Limit Head		% of Control Limit Chest		% of Control Limit Lower Trunk		IEEE Controlled Limit:		2.58
Back Seat		3.7%		4.7%		2.5%		IEEE Uncontrolled Limit:		0.52
Front Seat		1.2%		1.6%		1.1%		RF Po (*Max):		36.0

BS-Position 1

Table 23

External Vehicle MPE Assessment @ 775.9125 MHz									
Antenna Location	Antenna Model	Gain (dBi)	Meas. Distance (cm)	E/H Field	Calibration Factor	Average over Body (mW/cm <sup>2</sup> )	Initial Power (W)	Pwr. Density Calc. (mW/cm <sup>2</sup> )	Pwr. Density Max Calc. (mW/cm <sup>2</sup> )
Roof (cnt)	HAF4014A	5.15	60	E	0.77	0.106	36.1	0.053	0.05
Measurement Grid									
Test Position	Height (cm)	% of Control Limit		Test Position	Height (cm)	% of Control Limit		IEEE Controlled Limit	IEEE Uncontrolled Limit
1	20	0.8%		6	120	6.0%		RF Po (*Max):	36.0
2	40	1.0%		7	140	6.4%			
3	60	1.4%		8	160	8.5%			
4	80	1.7%		9	180	7.2%			
5	100	3.3%		10	200	4.8%			

P-Position 1

Table 24

Internal Vehicle MPE Assessment @ 775.9125 MHz										
Antenna Location	Antenna	Gain (dBi)	Meas. Distance (cm)	E/H Field	Calibration Factor	Average over Head, Chest, Lower Trunk Back/Front seats (mW/cm <sup>2</sup> )		Initial Power (W)	Pwr. Density Calc. (mW/cm <sup>2</sup> )	Pwr. Density Max Calc. (mW/cm <sup>2</sup> )
						Back	Front			
Roof (cnt)	HAF4014A	5.15	Highest Reading	E	0.77	0.081	0.046	36.1	0.041	0.04
Measurement Grid										
Test Position		% of Control Limit Head		% of Control Limit Chest		% of Control Limit Lower Trunk		IEEE Controlled Limit:		2.59
Back Seat		2.9%		4.3%		2.2%		IEEE Uncontrolled Limit:		0.52
Front Seat		1.6%		1.5%		2.2%		RF Po (*Max):		36.0

7/800MHz Mobile M20URS9PW1AN

BS-Position 1

Table 25

External Vehicle MPE Assessment @ 794.0875 MHz									
Antenna Location	Antenna Model	Gain (dBi)	Meas. Distance (cm)	E/H Field	Calibration Factor	Average over Body (mW/cm <sup>2</sup> )	Initial Power (W)	Pwr. Density Calc. (mW/cm <sup>2</sup> )	Pwr. Density Max Calc. (mW/cm <sup>2</sup> )
Roof (cnt)	HAF4014A	5.15	60	E	0.76	0.100	37.0	0.050	0.05
Measurement Grid									
Test Position	Height (cm)	% of Control Limit		Test Position	Height (cm)	% of Control Limit		IEEE Controlled Limit	IEEE Uncontrolled Limit
1	20	0.7%		6	120	3.6%		2.65	0.53
2	40	0.8%		7	140	7.7%			
3	60	0.9%		8	160	8.4%			
4	80	1.5%		9	180	6.3%			
5	100	2.8%		10	200	5.1%			
								RF Po (*Max)	36.0

P-Position 1

Table 26

Internal Vehicle MPE Assessment @ 794.0875 MHz										
Antenna Location	Antenna Model	Gain (dBi)	Meas. Distance (cm)	E/H Field	Calibration Factor	Average over Head, Chest, Lower Trunk Back/Front seats (mW/cm <sup>2</sup> )		Initial Power (W)	Pwr. Density Calc. (mW/cm <sup>2</sup> )	Pwr. Density Max Calc. (mW/cm <sup>2</sup> )
						Back	Front			
Roof (cnt)	HAF4014A	5.15	Highest Reading	E	0.76	0.070	0.035	37.0	0.035	0.03
Measurement Grid										
Test Position		% of Control Limit Head		% of Control Limit Chest		% of Control Limit Lower Trunk		IEEE Controlled Limit:		2.65
Back Seat		2.4%		3.7%		1.8%		IEEE Uncontrolled Limit:		0.53
Front Seat		1.7%		1.3%		1.0%		RF Po (*Max):		36.0

BS-Position 1

Table 27

External Vehicle MPE Assessment @ 809.0125 MHz									
Antenna Location	Antenna Model	Gain (dBi)	Meas. Distance (cm)	E/H Field	Calibration Factor	Average over Body (mW/cm <sup>2</sup> )	Initial Power (W)	Pwr. Density Calc. (mW/cm <sup>2</sup> )	Pwr. Density Max Calc. (mW/cm <sup>2</sup> )
Roof (cnt)	HAF4014A	5.15	60	E	0.75	0.124	41.3	0.062	0.06
Measurement Grid									
Test Position	Height (cm)	% of Control Limit		Test Position	Height (cm)	% of Control Limit		IEEE Controlled Limit	IEEE Uncontrolled Limit
1	20	0.7%		6	120	5.8%		2.70	0.54
2	40	1.0%		7	140	8.0%			
3	60	1.6%		8	160	10.9%			
4	80	1.6%		9	180	7.5%			
5	100	3.7%		10	200	5.3%			
								RF Po (*Max)	42.0

7/800MHz Mobile M20URS9PW1AN

P-Position 1

Table 28

Internal Vehicle MPE Assessment @ 809.0125 MHz										
Antenna Location	Antenna	Gain (dBi)	Meas. Distance (cm)	E/H Field	Calibration Factor	Average over Head, Chest, Lower Trunk Back/Front seats (mW/cm <sup>2</sup> )		Initial Power (W)	Pwr. Density Calc. (mW/cm <sup>2</sup> )	Pwr. Density Max Calc. (mW/cm <sup>2</sup> )
						Back	Front			
Roof (cnt)	HAF4014A	5.15	Highest Reading	E	0.75	0.072	0.076	41.3	0.038	0.04
Measurement Grid										
Test Position		% of Control Limit Head		% of Control Limit Chest		% of Control Limit Lower Trunk		IEEE Controlled Limit:		2.70
Back Seat		2.4%		4.0%		1.6%		IEEE Uncontrolled Limit:		0.54
Front Seat		2.6%		3.8%		2.0%		RF Po (*Max):		42.0

BS-Position 1

Table 29

External Vehicle MPE Assessment @ 823.9875 MHz										
Antenna Location	Antenna Model	Gain (dBi)	Meas. Distance (cm)	E/H Field	Calibration Factor	Average over Body (mW/cm <sup>2</sup> )	Initial Power (W)	Pwr. Density Calc. (mW/cm <sup>2</sup> )	Pwr. Density Max Calc. (mW/cm <sup>2</sup> )	
Roof (cnt)	HAF4014A	5.15	60	E	0.74	0.092	41.6	0.046	0.05	
Measurement Grid										
Test Position	Height (cm)	% of Control Limit		Test Position	Height (cm)	% of Control Limit		IEEE Controlled Limit	IEEE Uncontrolled Limit	
1	20	0.8%		6	120	3.8%		2.75	0.55	
2	40	0.8%		7	140	5.9%				
3	60	1.1%		8	160	7.6%				
4	80	1.1%		9	180	5.0%				
5	100	2.6%		10	200	4.7%				
								RF Po (*Max)		42.0

P-Position 1

Table 30

Internal Vehicle MPE Assessment @ 823.9875 MHz										
Antenna Location	Antenna	Gain (dBi)	Meas. Distance (cm)	E/H Field	Calibration Factor	Average over Head, Chest, Lower Trunk Back/Front seats (mW/cm <sup>2</sup> )		Initial Power (W)	Pwr. Density Calc. (mW/cm <sup>2</sup> )	Pwr. Density Max Calc. (mW/cm <sup>2</sup> )
						Back	Front			
Roof (cnt)	HAF4014A	5.15	Highest Reading	E	0.74	0.061	0.044	41.6	0.031	0.03
Measurement Grid										
Test Position		% of Control Limit Head		% of Control Limit Chest		% of Control Limit Lower Trunk		IEEE Controlled Limit:		2.75
Back Seat		2.0%		3.5%		1.2%		IEEE Uncontrolled Limit:		0.55
Front Seat		1.8%		1.2%		1.8%		RF Po (*Max):		42.0

7/800MHz Mobile M20URS9PW1AN

BS-Position 1

Table 31

External Vehicle MPE Assessment @ 851.0125 MHz									
Antenna Location	Antenna Model	Gain (dBi)	Meas. Distance (cm)	E/H Field	Calibration Factor	Average over Body (mW/cm <sup>2</sup> )	Initial Power (W)	Pwr. Density Calc. (mW/cm <sup>2</sup> )	Pwr. Density Max Calc. (mW/cm <sup>2</sup> )
Roof (cnt)	HAF4014A	5.15	60	E	0.73	0.096	41.9	0.048	0.05
Measurement Grid									
Test Position	Height (cm)	% of Control Limit		Test Position	Height (cm)	% of Control Limit		IEEE Controlled Limit	IEEE Uncontrolled Limit
1	20	1.1%		6	120	2.7%		2.84	0.57
2	40	0.8%		7	140	4.7%			
3	60	1.3%		8	160	6.9%			
4	80	1.5%		9	180	7.2%			
5	100	2.2%		10	200	5.3%			
								<b>RF Po (*Max)</b>	42.0

P-Position 1

Table 32

Internal Vehicle MPE Assessment @ 851.0125 MHz										
Antenna Location	Antenna Model	Gain (dBi)	Meas. Distance (cm)	E/H Field	Calibration Factor	Average over Head, Chest, Lower Trunk Back/Front seats (mW/cm <sup>2</sup> )		Initial Power (W)	Pwr. Density Calc. (mW/cm <sup>2</sup> )	Pwr. Density Max Calc. (mW/cm <sup>2</sup> )
						Back	Front			
Roof (cnt)	HAF4014A	5.15	Highest Reading	E	0.73	0.069	0.038	41.9	0.035	0.03
Measurement Grid										
Test Position		% of Control Limit Head		% of Control Limit Chest		% of Control Limit Lower Trunk		IEEE Controlled Limit:		2.84
Back Seat		1.4%		1.7%		4.2%		IEEE Uncontrolled Limit:		0.57
Front Seat		0.8%		1.4%		1.8%		<b>RF Po (*Max):</b>		42.0

BS-Position 1

Table 33

External Vehicle MPE Assessment @ 859.0125 MHz									
Antenna Location	Antenna Model	Gain (dBi)	Meas. Distance (cm)	E/H Field	Calibration Factor	Average over Body (mW/cm <sup>2</sup> )	Initial Power (W)	Pwr. Density Calc. (mW/cm <sup>2</sup> )	Pwr. Density Max Calc. (mW/cm <sup>2</sup> )
Roof (cnt)	HAF4014A	5.15	60	E	0.72	0.102	41.7	0.051	0.05
Measurement Grid									
Test Position	Height (cm)	% of Control Limit		Test Position	Height (cm)	% of Control Limit		IEEE Controlled Limit	IEEE Uncontrolled Limit
1	20	1.0%		6	120	3.0%		2.86	0.57
2	40	1.0%		7	140	5.2%			
3	60	1.0%		8	160	7.6%			
4	80	1.3%		9	180	7.5%			
5	100	2.3%		10	200	5.8%			
								<b>RF Po (*Max)</b>	42.0

7/800MHz Mobile M20URS9PW1AN

P-Position 1

Table 34

Internal Vehicle MPE Assessment @ 859.0125 MHz										
Antenna Location	Antenna	Gain (dBi)	Meas. Distance (cm)	E/H Field	Calibration Factor	Average over Head, Chest, Lower Trunk Back/Front seats (mW/cm <sup>2</sup> )		Initial Power (W)	Pwr. Density Calc. (mW/cm <sup>2</sup> )	Pwr. Density Max Calc. (mW/cm <sup>2</sup> )
						Back	Front			
Roof (cnt)	HAF4014A	5.15	Highest Reading	E	0.72	0.089	0.061	41.7	0.044	0.04
Measurement Grid										
Test Position		% of Control Limit Head		% of Control Limit Chest		% of Control Limit Lower Trunk		IEEE Controlled Limit:		2.86
Back Seat		2.2%		2.6%		4.5%		IEEE Uncontrolled Limit:		0.57
Front Seat		1.7%		2.4%		2.3%		RF Po (*Max):		42.0

BS-Position 1

Table 35

External Vehicle MPE Assessment @ 868.9875 MHz										
Antenna Location	Antenna Model	Gain (dBi)	Meas. Distance (cm)	E/H Field	Calibration Factor	Average over Body (mW/cm <sup>2</sup> )	Initial Power (W)	Pwr. Density Calc. (mW/cm <sup>2</sup> )	Pwr. Density Max Calc. (mW/cm <sup>2</sup> )	
Roof (cnt)	HAF4014A	5.15	60	E	0.71	0.095	41.9	0.047	0.05	
Measurement Grid										
Test Position	Height (cm)	% of Control Limit		Test Position	Height (cm)	% of Control Limit		IEEE Controlled Limit	IEEE Uncontrolled Limit	
1	20	1.0%		6	120	3.0%		2.90	0.58	
2	40	0.5%		7	140	5.4%				
3	60	0.9%		8	160	7.2%				
4	80	1.4%		9	180	6.3%				
5	100	1.8%		10	200	5.2%				
								RF Po (*Max):		42.0

P-Position 1

Table 36

Internal Vehicle MPE Assessment @ 868.9875 MHz										
Antenna Location	Antenna	Gain (dBi)	Meas. Distance (cm)	E/H Field	Calibration Factor	Average over Head, Chest, Lower Trunk Back/Front seats (mW/cm <sup>2</sup> )		Initial Power (W)	Pwr. Density Calc. (mW/cm <sup>2</sup> )	Pwr. Density Max Calc. (mW/cm <sup>2</sup> )
						Back	Front			
Roof (cnt)	HAF4014A	5.15	Highest Reading	E	0.71	0.042	0.040	41.9	0.021	0.02
Measurement Grid										
Test Position		% of Control Limit Head		% of Control Limit Chest		% of Control Limit Lower Trunk		IEEE Controlled Limit:		2.90
Back Seat		1.8%		1.3%		1.3%		IEEE Uncontrolled Limit:		0.58
Front Seat		0.6%		1.6%		1.9%		RF Po (*Max):		42.0

7/800MHz Mobile M20URS9PW1AN

BS-Position 1

Table 37

External Vehicle MPE Assessment @ 764.0875 MHz									
Antenna Location	Antenna Model	Gain (dBi)	Meas. Distance (cm)	E/H Field	Calibration Factor	Average over Body (mW/cm <sup>2</sup> )	Initial Power (W)	Pwr. Density Calc. (mW/cm <sup>2</sup> )	Pwr. Density Max Calc. (mW/cm <sup>2</sup> )
Roof (cnt)	HAF4013A	5.15	60	E	0.78	0.088	36.0	0.044	0.04
Measurement Grid									
Test Position	Height (cm)	% of Control Limit		Test Position	Height (cm)	% of Control Limit		IEEE Controlled Limit	IEEE Uncontrolled Limit
1	20	0.8%		6	120	3.2%		2.55	0.51
2	40	0.9%		7	140	4.6%			
3	60	1.1%		8	160	6.2%			
4	80	0.9%		9	180	8.4%			
5	100	1.2%		10	200	7.3%			
								RF Po (*Max)	36.0

P-Position 1

Table 38

Internal Vehicle MPE Assessment @ 764.0875 MHz										
Antenna Location	Antenna Model	Gain (dBi)	Meas. Distance (cm)	E/H Field	Calibration Factor	Average over Head, Chest, Lower Trunk Back/Front seats (mW/cm <sup>2</sup> )		Initial Power (W)	Pwr. Density Calc. (mW/cm <sup>2</sup> )	Pwr. Density Max Calc. (mW/cm <sup>2</sup> )
						Back	Front			
Roof (cnt)	HAF4013A	5.15	Highest Reading	E	0.78	0.063	0.022	36.0	0.031	0.03
Measurement Grid										
Test Position		% of Control Limit Head		% of Control Limit Chest		% of Control Limit Lower Trunk		IEEE Controlled Limit:		2.55
Back Seat		2.5%		3.3%		1.6%		IEEE Uncontrolled Limit:		0.51
Front Seat		1.3%		0.5%		0.8%		RF Po (*Max):		36.0

BS-Position 1

Table 39

External Vehicle MPE Assessment @ 773.0125 MHz									
Antenna Location	Antenna Model	Gain (dBi)	Meas. Distance (cm)	E/H Field	Calibration Factor	Average over Body (mW/cm <sup>2</sup> )	Initial Power (W)	Pwr. Density Calc. (mW/cm <sup>2</sup> )	Pwr. Density Max Calc. (mW/cm <sup>2</sup> )
Roof (cnt)	HAF4013A	5.15	60	E	0.78	0.097	36.0	0.048	0.05
Measurement Grid									
Test Position	Height (cm)	% of Control Limit		Test Position	Height (cm)	% of Control Limit		IEEE Controlled Limit	IEEE Uncontrolled Limit
1	20	0.6%		6	120	4.3%		2.58	0.52
2	40	0.9%		7	140	4.7%			
3	60	1.0%		8	160	6.5%			
4	80	0.9%		9	180	8.8%			
5	100	2.0%		10	200	7.8%			
								RF Po (*Max)	36.0



7/800MHz Mobile M20URS9PW1AN

P-Position 1

Table 40

Internal Vehicle MPE Assessment @ 773.0125 MHz										
Antenna Location	Antenna	Gain (dBi)	Meas. Distance (cm)	E/H Field	Calibration Factor	Average over Head, Chest, Lower Trunk Back/Front seats (mW/cm <sup>2</sup> )		Initial Power (W)	Pwr. Density Calc. (mW/cm <sup>2</sup> )	Pwr. Density Max Calc. (mW/cm <sup>2</sup> )
						Back	Front			
Roof (cnt)	HAF4013A	5.15	Highest Reading	E	0.78	0.082	0.025	36.0	0.041	0.04
Measurement Grid										
Test Position		% of Control Limit Head		% of Control Limit Chest		% of Control Limit Lower Trunk		IEEE Controlled Limit:		2.58
Back Seat		3.9%		4.2%		1.5%		IEEE Uncontrolled Limit:		0.52
Front Seat		1.4%		0.7%		0.8%		RF Po (*Max):		36.0

BS-Position 1

Table 41

External Vehicle MPE Assessment @ 775.9125 MHz										
Antenna Location	Antenna Model	Gain (dBi)	Meas. Distance (cm)	E/H Field	Calibration Factor	Average over Body (mW/cm <sup>2</sup> )	Initial Power (W)	Pwr. Density Calc. (mW/cm <sup>2</sup> )	Pwr. Density Max Calc. (mW/cm <sup>2</sup> )	
Roof (cnt)	HAF4013A	5.15	60	E	0.77	0.095	36.1	0.047	0.05	
Measurement Grid										
Test Position	Height (cm)	% of Control Limit		Test Position	Height (cm)	% of Control Limit		IEEE Controlled Limit	IEEE Uncontrolled Limit	
1	20	0.7%		6	120	3.4%		2.59	0.52	
2	40	0.9%		7	140	4.4%				
3	60	0.9%		8	160	6.5%				
4	80	1.0%		9	180	9.1%				
5	100	1.8%		10	200	7.9%				
								RF Po (*Max)		36.0

P-Position 1

Table 42

Internal Vehicle MPE Assessment @ 775.9125 MHz										
Antenna Location	Antenna	Gain (dBi)	Meas. Distance (cm)	E/H Field	Calibration Factor	Average over Head, Chest, Lower Trunk Back/Front seats (mW/cm <sup>2</sup> )		Initial Power (W)	Pwr. Density Calc. (mW/cm <sup>2</sup> )	Pwr. Density Max Calc. (mW/cm <sup>2</sup> )
						Back	Front			
Roof (cnt)	HAF4013A	5.15	Highest Reading	E	0.77	0.085	0.028	36.1	0.043	0.04
Measurement Grid										
Test Position		% of Control Limit Head		% of Control Limit Chest		% of Control Limit Lower Trunk		IEEE Controlled Limit:		2.59
Back Seat		2.7%		4.9%		2.3%		IEEE Uncontrolled Limit:		0.52
Front Seat		1.3%		0.9%		1.0%		RF Po (*Max):		36.0

7/800MHz Mobile M20URS9PW1AN

BS-Position 1

Table 43

External Vehicle MPE Assessment @ 794.0875 MHz									
Antenna Location	Antenna Model	Gain (dBi)	Meas. Distance (cm)	E/H Field	Calibration Factor	Average over Body (mW/cm <sup>2</sup> )	Initial Power (W)	Pwr. Density Calc. (mW/cm <sup>2</sup> )	Pwr. Density Max Calc. (mW/cm <sup>2</sup> )
Roof (cnt)	HAF4013A	5.15	60	E	0.76	0.107	37.0	0.053	0.05
Measurement Grid									
Test Position	Height (cm)	% of Control Limit		Test Position	Height (cm)	% of Control Limit		IEEE Controlled Limit	IEEE Uncontrolled Limit
1	20	1.3%		6	120	3.5%		2.65	0.53
2	40	1.2%		7	140	4.8%			
3	60	1.3%		8	160	6.8%			
4	80	1.6%		9	180	8.9%			
5	100	2.5%		10	200	8.4%			

P-Position 1

Table 44

Internal Vehicle MPE Assessment @ 794.0875 MHz										
Antenna Location	Antenna Model	Gain (dBi)	Meas. Distance (cm)	E/H Field	Calibration Factor	Average over Head, Chest, Lower Trunk Back/Front seats (mW/cm <sup>2</sup> )		Initial Power (W)	Pwr. Density Calc. (mW/cm <sup>2</sup> )	Pwr. Density Max Calc. (mW/cm <sup>2</sup> )
						Back	Front			
Roof (cnt)	HAF4013A	5.15	Highest Reading	E	0.76	0.071	0.024	37.0	0.035	0.04
Measurement Grid										
Test Position		% of Control Limit Head		% of Control Limit Chest		% of Control Limit Lower Trunk		IEEE Controlled Limit:		2.65
Back Seat		3.0%		3.6%		1.4%		IEEE Uncontrolled Limit:		0.53
Front Seat		1.0%		0.7%		1.0%		RF Po (*Max):		36.0

BS-Position 1

Table 45

External Vehicle MPE Assessment @ 809.0125 MHz									
Antenna Location	Antenna Model	Gain (dBi)	Meas. Distance (cm)	E/H Field	Calibration Factor	Average over Body (mW/cm <sup>2</sup> )	Initial Power (W)	Pwr. Density Calc. (mW/cm <sup>2</sup> )	Pwr. Density Max Calc. (mW/cm <sup>2</sup> )
Roof (cnt)	HAF4013A	5.15	60	E	0.75	0.125	41.3	0.063	0.06
Measurement Grid									
Test Position	Height (cm)	% of Control Limit		Test Position	Height (cm)	% of Control Limit		IEEE Controlled Limit	IEEE Uncontrolled Limit
1	20	1.2%		6	120	4.4%		2.70	0.54
2	40	1.2%		7	140	6.3%			
3	60	1.3%		8	160	8.3%			
4	80	1.8%		9	180	10.0%			
5	100	2.7%		10	200	9.3%			

7/800MHz Mobile M20URS9PW1AN

P-Position 1

Table 46

Internal Vehicle MPE Assessment @ 809.0125 MHz										
Antenna Location	Antenna	Gain (dBi)	Meas. Distance (cm)	E/H Field	Calibration Factor	Average over Head, Chest, Lower Trunk Back/Front seats (mW/cm <sup>2</sup> )		Initial Power (W)	Pwr. Density Calc. (mW/cm <sup>2</sup> )	Pwr. Density Max Calc. (mW/cm <sup>2</sup> )
						Back	Front			
Roof (cnt)	HAF4013A	5.15	Highest Reading	E	0.75	0.061	0.045	41.3	0.031	0.03
Measurement Grid										
Test Position		% of Control Limit Head		% of Control Limit Chest		% of Control Limit Lower Trunk		IEEE Controlled Limit:		2.70
Back Seat		2.3%		3.3%		1.2%		IEEE Uncontrolled Limit:		0.54
Front Seat		1.8%		1.5%		1.7%		RF Po (*Max):		42.0

BS-Position 1

Table 47

External Vehicle MPE Assessment @ 823.9875 MHz										
Antenna Location	Antenna Model	Gain (dBi)	Meas. Distance (cm)	E/H Field	Calibration Factor	Average over Body (mW/cm <sup>2</sup> )	Initial Power (W)	Pwr. Density Calc. (mW/cm <sup>2</sup> )	Pwr. Density Max Calc. (mW/cm <sup>2</sup> )	
Roof (cnt)	HAF4013A	5.15	60	E	0.74	0.121	41.6	0.061	0.06	
Measurement Grid										
Test Position	Height (cm)	% of Control Limit		Test Position	Height (cm)	% of Control Limit		IEEE Controlled Limit	IEEE Uncontrolled Limit	
1	20	1.1%		6	120	3.9%		2.75	0.55	
2	40	1.1%		7	140	5.3%				
3	60	1.2%		8	160	6.8%				
4	80	2.0%		9	180	8.5%				
5	100	2.7%		10	200	8.3%				
								RF Po (*Max)		42.0

P-Position 1

Table 48

Internal Vehicle MPE Assessment @ 823.9875 MHz										
Antenna Location	Antenna	Gain (dBi)	Meas. Distance (cm)	E/H Field	Calibration Factor	Average over Head, Chest, Lower Trunk Back/Front seats (mW/cm <sup>2</sup> )		Initial Power (W)	Pwr. Density Calc. (mW/cm <sup>2</sup> )	Pwr. Density Max Calc. (mW/cm <sup>2</sup> )
						Back	Front			
Roof (cnt)	HAF4013A	5.15	Highest Reading	E	0.74	0.071	0.040	41.6	0.036	0.04
Measurement Grid										
Test Position		% of Control Limit Head		% of Control Limit Chest		% of Control Limit Lower Trunk		IEEE Controlled Limit:		2.75
Back Seat		3.1%		2.8%		1.9%		IEEE Uncontrolled Limit:		0.55
Front Seat		1.5%		1.5%		1.4%		RF Po (*Max):		42.0

7/800MHz Mobile M20URS9PW1AN

BS-Position 1

Table 49

External Vehicle MPE Assessment @ 851.0125 MHz									
Antenna Location	Antenna Model	Gain (dBi)	Meas. Distance (cm)	E/H Field	Calibration Factor	Average over Body (mW/cm <sup>2</sup> )	Initial Power (W)	Pwr. Density Calc. (mW/cm <sup>2</sup> )	Pwr. Density Max Calc. (mW/cm <sup>2</sup> )
Roof (cnt)	HAF4013A	5.15	60	E	0.73	0.107	41.9	0.054	0.05
Measurement Grid									
Test Position	Height (cm)	% of Control Limit		Test Position	Height (cm)	% of Control Limit		IEEE Controlled Limit	IEEE Uncontrolled Limit
1	20	1.0%		6	120	3.1%		2.84	0.57
2	40	1.0%		7	140	4.9%			
3	60	1.4%		8	160	7.3%			
4	80	1.9%		9	180	7.7%			
5	100	2.1%		10	200	7.4%			
								<b>RF Po (*Max)</b>	42.0

P-Position 1

Table 50

Internal Vehicle MPE Assessment @ 851.0125 MHz										
Antenna Location	Antenna Model	Gain (dBi)	Meas. Distance (cm)	E/H Field	Calibration Factor	Average over Head, Chest, Lower Trunk Back/Front seats (mW/cm <sup>2</sup> )		Initial Power (W)	Pwr. Density Calc. (mW/cm <sup>2</sup> )	Pwr. Density Max Calc. (mW/cm <sup>2</sup> )
						Back	Front			
Roof (cnt)	HAF4013A	5.15	Highest Reading	E	0.73	0.045	0.017	41.9	0.023	0.02
Measurement Grid										
Test Position		% of Control Limit Head		% of Control Limit Chest		% of Control Limit Lower Trunk		IEEE Controlled Limit:		2.84
Back Seat		0.7%		0.6%		3.5%		IEEE Uncontrolled Limit:		0.57
Front Seat		0.4%		0.7%		0.7%		<b>RF Po (*Max):</b>		42.0

BS-Position 1

Table 51

External Vehicle MPE Assessment @ 859.0125 MHz									
Antenna Location	Antenna Model	Gain (dBi)	Meas. Distance (cm)	E/H Field	Calibration Factor	Average over Body (mW/cm <sup>2</sup> )	Initial Power (W)	Pwr. Density Calc. (mW/cm <sup>2</sup> )	Pwr. Density Max Calc. (mW/cm <sup>2</sup> )
Roof (cnt)	HAF4013A	5.15	60	E	0.72	0.109	41.7	0.055	0.05
Measurement Grid									
Test Position	Height (cm)	% of Control Limit		Test Position	Height (cm)	% of Control Limit		IEEE Controlled Limit	IEEE Uncontrolled Limit
1	20	1.0%		6	120	3.0%		2.86	0.57
2	40	1.1%		7	140	4.6%			
3	60	1.2%		8	160	7.3%			
4	80	2.0%		9	180	7.9%			
5	100	2.4%		10	200	7.6%			
								<b>RF Po (*Max)</b>	42.0

7/800MHz Mobile M20URS9PW1AN

P-Position 1

Table 52

Internal Vehicle MPE Assessment @ 859.0125 MHz										
Antenna Location	Antenna	Gain (dBi)	Meas. Distance (cm)	E/H Field	Calibration Factor	Average over Head, Chest, Lower Trunk Back/Front seats (mW/cm <sup>2</sup> )		Initial Power (W)	Pwr. Density Calc. (mW/cm <sup>2</sup> )	Pwr. Density Max Calc. (mW/cm <sup>2</sup> )
						Back	Front			
Roof (cnt)	HAF4013A	5.15	Highest Reading	E	0.72	0.030	0.022	41.7	0.015	0.01
Measurement Grid										
Test Position		% of Control Limit Head		% of Control Limit Chest		% of Control Limit Lower Trunk		IEEE Controlled Limit:		2.86
Back Seat		0.7%		0.9%		1.5%		IEEE Uncontrolled Limit:		0.57
Front Seat		0.6%		1.0%		0.7%		RF Po (*Max):		42.0

BS-Position 1

Table 53

External Vehicle MPE Assessment @ 868.9875 MHz									
Antenna Location	Antenna Model	Gain (dBi)	Meas. Distance (cm)	E/H Field	Calibration Factor	Average over Body (mW/cm <sup>2</sup> )	Initial Power (W)	Pwr. Density Calc. (mW/cm <sup>2</sup> )	Pwr. Density Max Calc. (mW/cm <sup>2</sup> )
Measurement Grid									
Test Position	Height (cm)	% of Control Limit		Test Position	Height (cm)	% of Control Limit		IEEE Controlled Limit	IEEE Uncontrolled Limit
1	20	1.0%		6	120	2.7%		42.0	0.58
2	40	1.0%		7	140	5.4%			
3	60	1.5%		8	160	7.8%			
4	80	1.9%		9	180	8.0%			
5	100	2.1%		10	200	7.5%			
RF Po (*Max):									42.0

P-Position 1

Table 54

Internal Vehicle MPE Assessment @ 868.9875 MHz										
Antenna Location	Antenna	Gain (dBi)	Meas. Distance (cm)	E/H Field	Calibration Factor	Average over Head, Chest, Lower Trunk Back/Front seats (mW/cm <sup>2</sup> )		Initial Power (W)	Pwr. Density Calc. (mW/cm <sup>2</sup> )	Pwr. Density Max Calc. (mW/cm <sup>2</sup> )
						Back	Front			
Roof (cnt)	HAF4013A	5.15	Highest Reading	E	0.71	0.024	0.024	41.9	0.012	0.01
Measurement Grid										
Test Position		% of Control Limit Head		% of Control Limit Chest		% of Control Limit Lower Trunk		IEEE Controlled Limit:		2.90
Back Seat		1.0%		0.9%		0.6%		IEEE Uncontrolled Limit:		0.58
Front Seat		0.3%		1.2%		1.0%		RF Po (*Max):		42.0

7/800MHz Mobile M20URS9PW1AN

BS-Position 1

Table 55

External Vehicle MPE Assessment @ 764.0875 MHz									
Antenna Location	Antenna Model	Gain (dBi)	Meas. Distance (cm)	E/H Field	Calibration Factor	Average over Body (mW/cm <sup>2</sup> )	Initial Power (W)	Pwr. Density Calc. (mW/cm <sup>2</sup> )	Pwr. Density Max Calc. (mW/cm <sup>2</sup> )
Roof (cnt)	HAF4017A	5.15	60	E	0.78	0.051	36.0	0.025	0.03
Measurement Grid									
Test Position	Height (cm)	% of Control Limit		Test Position	Height (cm)	% of Control Limit		IEEE Controlled Limit	IEEE Uncontrolled Limit
1	20	0.1%		6	120	0.1%		2.55	0.51
2	40	0.1%		7	140	0.9%			
3	60	0.1%		8	160	3.6%			
4	80	0.1%		9	180	6.8%			
5	100	0.1%		10	200	8.1%			
								<b>RF Po (*Max)</b>	36.0

P-Position 1

Table 56

Internal Vehicle MPE Assessment @ 764.0875 MHz										
Antenna Location	Antenna Model	Gain (dBi)	Meas. Distance (cm)	E/H Field	Calibration Factor	Average over Head, Chest, Lower Trunk Back/Front seats (mW/cm <sup>2</sup> )		Initial Power (W)	Pwr. Density Calc. (mW/cm <sup>2</sup> )	Pwr. Density Max Calc. (mW/cm <sup>2</sup> )
						Back	Front			
Roof (cnt)	HAF4017A	5.15	Highest Reading	E	0.78	0.006	0.003	36.0	0.003	0.00
Measurement Grid										
Test Position		% of Control Limit Head		% of Control Limit Chest		% of Control Limit Lower Trunk		IEEE Controlled Limit:		2.55
Back Seat		0.2%		0.3%		0.2%		IEEE Uncontrolled Limit:		0.51
Front Seat		0.2%		0.1%		0.1%		<b>RF Po (*Max):</b>		36.0

BS-Position 1

Table 57

External Vehicle MPE Assessment @ 773.0125 MHz									
Antenna Location	Antenna Model	Gain (dBi)	Meas. Distance (cm)	E/H Field	Calibration Factor	Average over Body (mW/cm <sup>2</sup> )	Initial Power (W)	Pwr. Density Calc. (mW/cm <sup>2</sup> )	Pwr. Density Max Calc. (mW/cm <sup>2</sup> )
Roof (cnt)	HAF4017A	5.15	60	E	0.78	0.049	36.0	0.024	0.02
Measurement Grid									
Test Position	Height (cm)	% of Control Limit		Test Position	Height (cm)	% of Control Limit		IEEE Controlled Limit	IEEE Uncontrolled Limit
1	20	0.1%		6	120	0.4%		2.58	0.52
2	40	0.1%		7	140	1.2%			
3	60	0.1%		8	160	3.9%			
4	80	0.1%		9	180	6.4%			
5	100	0.1%		10	200	6.7%			
								<b>RF Po (*Max)</b>	36.0

7/800MHz Mobile M20URS9PW1AN

P-Position 1

Table 58

Internal Vehicle MPE Assessment @ 773.0125 MHz										
Antenna Location	Antenna	Gain (dBi)	Meas. Distance (cm)	E/H Field	Calibration Factor	Average over Head, Chest, Lower Trunk Back/Front seats (mW/cm <sup>2</sup> )		Initial Power (W)	Pwr. Density Calc. (mW/cm <sup>2</sup> )	Pwr. Density Max Calc. (mW/cm <sup>2</sup> )
						Back	Front			
Roof (cnt)	HAF4017A	5.15	Highest Reading	E	0.78	0.006	0.003	36.0	0.003	0.00
Measurement Grid										
Test Position		% of Control Limit Head		% of Control Limit Chest		% of Control Limit Lower Trunk		IEEE Controlled Limit:		2.58
Back Seat		0.2%		0.3%		0.2%		IEEE Uncontrolled Limit:		0.52
Front Seat		0.2%		0.1%		0.1%			RF Po (*Max):	36.0

BS-Position 1

Table 59

External Vehicle MPE Assessment @ 775.9125 MHz									
Antenna Location	Antenna Model	Gain (dBi)	Meas. Distance (cm)	E/H Field	Calibration Factor	Average over Body (mW/cm <sup>2</sup> )	Initial Power (W)	Pwr. Density Calc. (mW/cm <sup>2</sup> )	Pwr. Density Max Calc. (mW/cm <sup>2</sup> )
Measurement Grid									
Test Position	Height (cm)	% of Control Limit		Test Position	Height (cm)	% of Control Limit		IEEE Controlled Limit	IEEE Uncontrolled Limit
1	20	0.0%		6	120	0.5%		2.59	0.52
2	40	0.1%		7	140	1.5%			
3	60	0.1%		8	160	4.0%			
4	80	0.1%		9	180	7.7%			
5	100	0.1%		10	200	7.0%			

P-Position 1

Table 60

Internal Vehicle MPE Assessment @ 775.9125 MHz										
Antenna Location	Antenna	Gain (dBi)	Meas. Distance (cm)	E/H Field	Calibration Factor	Average over Head, Chest, Lower Trunk Back/Front seats (mW/cm <sup>2</sup> )		Initial Power (W)	Pwr. Density Calc. (mW/cm <sup>2</sup> )	Pwr. Density Max Calc. (mW/cm <sup>2</sup> )
						Back	Front			
Roof (cnt)	HAF4017A	5.15	Highest Reading	E	0.77	0.004	0.003	36.1	0.002	0.00
Measurement Grid										
Test Position		% of Control Limit Head		% of Control Limit Chest		% of Control Limit Lower Trunk		IEEE Controlled Limit:		2.59
Back Seat		0.2%		0.2%		0.1%		IEEE Uncontrolled Limit:		0.52
Front Seat		0.1%		0.1%		0.1%			RF Po (*Max):	36.0

7/800MHz Mobile M20URS9PW1AN

BS-Position 1

Table 61

External Vehicle MPE Assessment @ 794.0875 MHz									
Antenna Location	Antenna Model	Gain (dBi)	Meas. Distance (cm)	E/H Field	Calibration Factor	Average over Body (mW/cm <sup>2</sup> )	Initial Power (W)	Pwr. Density Calc. (mW/cm <sup>2</sup> )	Pwr. Density Max Calc. (mW/cm <sup>2</sup> )
Roof (cnt)	HAF4017A	5.15	60	E	0.76	0.065	37.0	0.032	0.03
Measurement Grid									
Test Position	Height (cm)	% of Control Limit		Test Position	Height (cm)	% of Control Limit		IEEE Controlled Limit	IEEE Uncontrolled Limit
1	20	0.1%		6	120	1.4%		2.65	0.53
2	40	0.1%		7	140	3.4%			
3	60	0.1%		8	160	5.3%			
4	80	0.2%		9	180	7.7%			
5	100	0.6%		10	200	5.6%			
								<b>RF Po (*Max)</b>	36.0

P-Position 1

Table 62

Internal Vehicle MPE Assessment @ 794.0875 MHz										
Antenna Location	Antenna Model	Gain (dBi)	Meas. Distance (cm)	E/H Field	Calibration Factor	Average over Head, Chest, Lower Trunk Back/Front seats (mW/cm <sup>2</sup> )		Initial Power (W)	Pwr. Density Calc. (mW/cm <sup>2</sup> )	Pwr. Density Max Calc. (mW/cm <sup>2</sup> )
						Back	Front			
Roof (cnt)	HAF4017A	5.15	Highest Reading	E	0.76	0.015	0.007	37.0	0.007	0.01
Measurement Grid										
Test Position		% of Control Limit Head		% of Control Limit Chest		% of Control Limit Lower Trunk		IEEE Controlled Limit:		2.65
Back Seat		0.5%		0.9%		0.3%		IEEE Uncontrolled Limit:		0.53
Front Seat		0.2%		0.2%		0.4%		<b>RF Po (*Max):</b>		36.0

BS-Position 1

Table 63

External Vehicle MPE Assessment @ 809.0125 MHz									
Antenna Location	Antenna Model	Gain (dBi)	Meas. Distance (cm)	E/H Field	Calibration Factor	Average over Body (mW/cm <sup>2</sup> )	Initial Power (W)	Pwr. Density Calc. (mW/cm <sup>2</sup> )	Pwr. Density Max Calc. (mW/cm <sup>2</sup> )
Roof (cnt)	HAF4017A	5.15	60	E	0.75	0.094	41.3	0.047	0.05
Measurement Grid									
Test Position	Height (cm)	% of Control Limit		Test Position	Height (cm)	% of Control Limit		IEEE Controlled Limit	IEEE Uncontrolled Limit
1	20	0.1%		6	120	3.1%		2.70	0.54
2	40	0.2%		7	140	6.0%			
3	60	0.2%		8	160	7.9%			
4	80	0.3%		9	180	9.1%			
5	100	1.1%		10	200	6.9%			
								<b>RF Po (*Max)</b>	42.0



7/800MHz Mobile M20URS9PW1AN

P-Position 1

Table 64

Internal Vehicle MPE Assessment @ 809.0125 MHz										
Antenna Location	Antenna	Gain (dBi)	Meas. Distance (cm)	E/H Field	Calibration Factor	Average over Head, Chest, Lower Trunk Back/Front seats (mW/cm <sup>2</sup> )		Initial Power (W)	Pwr. Density Calc. (mW/cm <sup>2</sup> )	Pwr. Density Max Calc. (mW/cm <sup>2</sup> )
						Back	Front			
Roof (cnt)	HAF4017A	5.15	Highest Reading	E	0.75	0.024	0.017	41.3	0.012	0.01
Measurement Grid										
Test Position		% of Control Limit Head		% of Control Limit Chest		% of Control Limit Lower Trunk		IEEE Controlled Limit:		2.70
Back Seat		1.0%		1.2%		0.5%		IEEE Uncontrolled Limit:		0.54
Front Seat		0.5%		0.7%		0.7%		RF Po (*Max):		42.0

BS-Position 1

Table 65

External Vehicle MPE Assessment @ 823.9875 MHz									
Antenna Location	Antenna Model	Gain (dBi)	Meas. Distance (cm)	E/H Field	Calibration Factor	Average over Body (mW/cm <sup>2</sup> )	Initial Power (W)	Pwr. Density Calc. (mW/cm <sup>2</sup> )	Pwr. Density Max Calc. (mW/cm <sup>2</sup> )
Roof (cnt)	HAF4017A	5.15	60	E	0.74	0.101	41.6	0.050	0.05
Measurement Grid									
Test Position	Height (cm)	% of Control Limit		Test Position	Height (cm)	% of Control Limit		IEEE Controlled Limit	IEEE Uncontrolled Limit
1	20	0.1%		6	120	2.8%		RF Po (*Max):	42.0
2	40	0.2%		7	140	5.7%			
3	60	0.2%		8	160	8.9%			
4	80	0.8%		9	180	8.9%			
5	100	2.0%		10	200	7.0%			

P-Position 1

Table 66

Internal Vehicle MPE Assessment @ 823.9875 MHz										
Antenna Location	Antenna	Gain (dBi)	Meas. Distance (cm)	E/H Field	Calibration Factor	Average over Head, Chest, Lower Trunk Back/Front seats (mW/cm <sup>2</sup> )		Initial Power (W)	Pwr. Density Calc. (mW/cm <sup>2</sup> )	Pwr. Density Max Calc. (mW/cm <sup>2</sup> )
						Back	Front			
Roof (cnt)	HAF4017A	5.15	Highest Reading	E	0.74	0.043	0.026	41.6	0.022	0.02
Measurement Grid										
Test Position		% of Control Limit Head		% of Control Limit Chest		% of Control Limit Lower Trunk		IEEE Controlled Limit:		2.75
Back Seat		1.8%		1.9%		1.0%		IEEE Uncontrolled Limit:		0.55
Front Seat		0.8%		0.9%		1.1%		RF Po (*Max):		42.0

7/800MHz Mobile M20URS9PW1AN

BS-Position 1

Table 67

External Vehicle MPE Assessment @ 851.0125 MHz									
Antenna Location	Antenna Model	Gain (dBi)	Meas. Distance (cm)	E/H Field	Calibration Factor	Average over Body (mW/cm <sup>2</sup> )	Initial Power (W)	Pwr. Density Calc. (mW/cm <sup>2</sup> )	Pwr. Density Max Calc. (mW/cm <sup>2</sup> )
Roof (cnt)	HAF4017A	5.15	60	E	0.73	0.102	41.9	0.051	0.05
Measurement Grid									
Test Position	Height (cm)	% of Control Limit		Test Position	Height (cm)	% of Control Limit		IEEE Controlled Limit	IEEE Uncontrolled Limit
1	20	0.2%		6	120	3.1%		2.84	0.57
2	40	0.1%		7	140	6.7%			
3	60	0.6%		8	160	10.5%			
4	80	1.0%		9	180	7.0%			
5	100	1.9%		10	200	5.0%			
								<b>RF Po (*Max)</b>	42.0

P-Position 1

Table 68

Internal Vehicle MPE Assessment @ 851.0125 MHz										
Antenna Location	Antenna Model	Gain (dBi)	Meas. Distance (cm)	E/H Field	Calibration Factor	Average over Head, Chest, Lower Trunk Back/Front seats (mW/cm <sup>2</sup> )		Initial Power (W)	Pwr. Density Calc. (mW/cm <sup>2</sup> )	Pwr. Density Max Calc. (mW/cm <sup>2</sup> )
						Back	Front			
Roof (cnt)	HAF4017A	5.15	Highest Reading	E	0.73	0.034	0.021	41.9	0.017	0.02
Measurement Grid										
Test Position		% of Control Limit Head		% of Control Limit Chest		% of Control Limit Lower Trunk		IEEE Controlled Limit:		2.84
Back Seat		0.6%		1.0%		2.0%		IEEE Uncontrolled Limit:		0.57
Front Seat		0.4%		0.9%		0.9%		<b>RF Po (*Max):</b>		42.0

BS-Position 1

Table 69

External Vehicle MPE Assessment @ 859.0125 MHz									
Antenna Location	Antenna Model	Gain (dBi)	Meas. Distance (cm)	E/H Field	Calibration Factor	Average over Body (mW/cm <sup>2</sup> )	Initial Power (W)	Pwr. Density Calc. (mW/cm <sup>2</sup> )	Pwr. Density Max Calc. (mW/cm <sup>2</sup> )
Roof (cnt)	HAF4017A	5.15	60	E	0.72	0.093	41.7	0.047	0.05
Measurement Grid									
Test Position	Height (cm)	% of Control Limit		Test Position	Height (cm)	% of Control Limit		IEEE Controlled Limit	IEEE Uncontrolled Limit
1	20	0.1%		6	120	3.0%		2.86	0.57
2	40	0.3%		7	140	7.0%			
3	60	0.4%		8	160	9.0%			
4	80	1.0%		9	180	5.8%			
5	100	1.6%		10	200	4.4%			
								<b>RF Po (*Max)</b>	42.0

7/800MHz Mobile M20URS9PW1AN

P-Position 1

Table 70

Internal Vehicle MPE Assessment @ 859.0125 MHz										
Antenna Location	Antenna	Gain (dBi)	Meas. Distance (cm)	E/H Field	Calibration Factor	Average over Head, Chest, Lower Trunk Back/Front seats (mW/cm <sup>2</sup> )		Initial Power (W)	Pwr. Density Calc. (mW/cm <sup>2</sup> )	Pwr. Density Max Calc. (mW/cm <sup>2</sup> )
						Back	Front			
Roof (cnt)	HAF4017A	5.15	Highest Reading	E	0.72	0.022	0.025	41.7	0.012	0.01
Measurement Grid										
Test Position		% of Control Limit Head	% of Control Limit Chest	% of Control Limit Lower Trunk		IEEE Controlled Limit:			2.86	
Back Seat		0.3%	0.7%	1.3%		IEEE Uncontrolled Limit:			0.57	
Front Seat		0.8%	1.1%	0.7%		RF Po (*Max):			42.0	

BS-Position 1

Table 71

External Vehicle MPE Assessment @ 868.9875 MHz									
Antenna Location	Antenna Model	Gain (dBi)	Meas. Distance (cm)	E/H Field	Calibration Factor	Average over Body (mW/cm <sup>2</sup> )	Initial Power (W)	Pwr. Density Calc. (mW/cm <sup>2</sup> )	Pwr. Density Max Calc. (mW/cm <sup>2</sup> )
Roof (cnt)	HAF4017A	5.15	60	E	0.71	0.081	41.9	0.040	0.04
Measurement Grid									
Test Position	Height (cm)	% of Control Limit		Test Position	Height (cm)	% of Control Limit		IEEE Controlled Limit	IEEE Uncontrolled Limit
1	20	0.1%		6	120	2.5%		42.0	0.58
2	40	0.2%		7	140	6.8%			
3	60	0.4%		8	160	6.6%			
4	80	1.1%		9	180	4.9%			
5	100	1.2%		10	200	4.1%			

P-Position 1

Table 72

Internal Vehicle MPE Assessment @ 868.9875 MHz										
Antenna Location	Antenna	Gain (dBi)	Meas. Distance (cm)	E/H Field	Calibration Factor	Average over Head, Chest, Lower Trunk Back/Front seats (mW/cm <sup>2</sup> )		Initial Power (W)	Pwr. Density Calc. (mW/cm <sup>2</sup> )	Pwr. Density Max Calc. (mW/cm <sup>2</sup> )
						Back	Front			
Roof (cnt)	HAF4017A	5.15	Highest Reading	E	0.71	0.018	0.022	41.9	0.011	0.01
Measurement Grid										
Test Position		% of Control Limit Head	% of Control Limit Chest	% of Control Limit Lower Trunk		IEEE Controlled Limit:			2.90	
Back Seat		0.9%	0.7%	0.3%		IEEE Uncontrolled Limit:			0.58	
Front Seat		0.5%	0.9%	0.9%		RF Po (*Max):			42.0	

7/800MHz Mobile M20URS9PW1AN

BS-Position 2

Table 73

External Vehicle MPE Assessment @ 764.0875 MHz									
Antenna Location	Antenna Model	Gain (dBi)	Meas. Distance (cm)	E/H Field	Calibration Factor	Average over Body (mW/cm <sup>2</sup> )	Initial Power (W)	Pwr. Density Calc. (mW/cm <sup>2</sup> )	Pwr. Density Max Calc. (mW/cm <sup>2</sup> )
Roof (cnt)	HAF4016A	2.15	60	E	0.78	0.062	36.0	0.031	0.03
Measurement Grid									
Test Position	Height (cm)	% of Control Limit			Test Position	Height (cm)	% of Control Limit		
1	20	0.1%			6	120	2.0%		
2	40	0.1%			7	140	3.8%		
3	60	0.3%			8	160	4.7%		
4	80	0.8%			9	180	6.0%		
5	100	1.3%			10	200	5.1%		
								IEEE Controlled Limit	IEEE Uncontrolled Limit
								2.55	0.51
								<b>RF Po (*Max)</b>	
								36.0	

BS-Position 2

Table 74

External Vehicle MPE Assessment @ 773.0125 MHz									
Antenna Location	Antenna Model	Gain (dBi)	Meas. Distance (cm)	E/H Field	Calibration Factor	Average over Body (mW/cm <sup>2</sup> )	Initial Power (W)	Pwr. Density Calc. (mW/cm <sup>2</sup> )	Pwr. Density Max Calc. (mW/cm <sup>2</sup> )
Roof (cnt)	HAF4016A	2.15	60	E	0.78	0.061	36.0	0.031	0.03
Measurement Grid									
Test Position	Height (cm)	% of Control Limit			Test Position	Height (cm)	% of Control Limit		
1	20	0.1%			6	120	2.0%		
2	40	0.1%			7	140	3.2%		
3	60	0.3%			8	160	4.8%		
4	80	0.6%			9	180	5.8%		
5	100	1.5%			10	200	5.4%		
								IEEE Controlled Limit	IEEE Uncontrolled Limit
								2.58	0.52
								<b>RF Po (*Max)</b>	
								36.0	

BS-Position 2

Table 75

External Vehicle MPE Assessment @ 775.9125 MHz									
Antenna Location	Antenna Model	Gain (dBi)	Meas. Distance (cm)	E/H Field	Calibration Factor	Average over Body (mW/cm <sup>2</sup> )	Initial Power (W)	Pwr. Density Calc. (mW/cm <sup>2</sup> )	Pwr. Density Max Calc. (mW/cm <sup>2</sup> )
Roof (cnt)	HAF4016A	2.15	60	E	0.77	0.065	36.1	0.033	0.03
Measurement Grid									
Test Position	Height (cm)	% of Control Limit			Test Position	Height (cm)	% of Control Limit		
1	20	0.1%			6	120	1.8%		
2	40	0.2%			7	140	3.2%		
3	60	0.4%			8	160	4.5%		
4	80	0.7%			9	180	7.0%		
5	100	1.7%			10	200	5.6%		
								IEEE Controlled Limit	IEEE Uncontrolled Limit
								2.59	0.52
								<b>RF Po (*Max)</b>	
								36.0	

7/800MHz Mobile M20URS9PW1AN

BS-Position 2

Table 76

External Vehicle MPE Assessment @ 794.0875 MHz									
Antenna Location	Antenna Model	Gain (dBi)	Meas. Distance (cm)	E/H Field	Calibration Factor	Average over Body (mW/cm <sup>2</sup> )	Initial Power (W)	Pwr. Density Calc. (mW/cm <sup>2</sup> )	Pwr. Density Max Calc. (mW/cm <sup>2</sup> )
Roof (cnt)	HAF4016A	2.15	60	E	0.76	0.060	37.0	0.030	0.03
Measurement Grid									
Test Position	Height (cm)	% of Control Limit			Test Position	Height (cm)	% of Control Limit		
1	20	0.2%			6	120	1.2%		
2	40	0.3%			7	140	2.5%		
3	60	0.4%			8	160	4.5%		
4	80	0.9%			9	180	6.9%		
5	100	1.1%			10	200	4.7%		
								IEEE Controlled Limit	IEEE Uncontrolled Limit
									RF Po (*Max)
									36.0

BS-Position 2

Table 77

External Vehicle MPE Assessment @ 809.0125 MHz									
Antenna Location	Antenna Model	Gain (dBi)	Meas. Distance (cm)	E/H Field	Calibration Factor	Average over Body (mW/cm <sup>2</sup> )	Initial Power (W)	Pwr. Density Calc. (mW/cm <sup>2</sup> )	Pwr. Density Max Calc. (mW/cm <sup>2</sup> )
Roof (cnt)	HAF4016A	2.15	60	E	0.75	0.083	41.3	0.042	0.04
Measurement Grid									
Test Position	Height (cm)	% of Control Limit			Test Position	Height (cm)	% of Control Limit		
1	20	0.1%			6	120	2.1%		
2	40	0.4%			7	140	4.3%		
3	60	0.8%			8	160	7.5%		
4	80	0.9%			9	180	7.6%		
5	100	1.1%			10	200	6.1%		
								IEEE Controlled Limit	IEEE Uncontrolled Limit
									RF Po (*Max)
									42.0

BS-Position 2

Table 78

External Vehicle MPE Assessment @ 823.9875 MHz									
Antenna Location	Antenna Model	Gain (dBi)	Meas. Distance (cm)	E/H Field	Calibration Factor	Average over Body (mW/cm <sup>2</sup> )	Initial Power (W)	Pwr. Density Calc. (mW/cm <sup>2</sup> )	Pwr. Density Max Calc. (mW/cm <sup>2</sup> )
Roof (cnt)	HAF4016A	2.15	60	E	0.74	0.061	41.6	0.031	0.03
Measurement Grid									
Test Position	Height (cm)	% of Control Limit			Test Position	Height (cm)	% of Control Limit		
1	20	0.3%			6	120	1.2%		
2	40	0.4%			7	140	3.1%		
3	60	0.6%			8	160	4.7%		
4	80	0.9%			9	180	5.4%		
5	100	0.9%			10	200	4.8%		
								IEEE Controlled Limit	IEEE Uncontrolled Limit
									RF Po (*Max)
									42.0

7/800MHz Mobile M20URS9PW1AN

BS-Position 2

Table 79

External Vehicle MPE Assessment @ 851.0125 MHz									
Antenna Location	Antenna Model	Gain (dBi)	Meas. Distance (cm)	E/H Field	Calibration Factor	Average over Body (mW/cm <sup>2</sup> )	Initial Power (W)	Pwr. Density Calc. (mW/cm <sup>2</sup> )	Pwr. Density Max Calc. (mW/cm <sup>2</sup> )
Roof (cnt)	HAF4016A	2.15	60	E	0.73	0.059	41.9	0.029	0.03
Measurement Grid									
Test Position	Height (cm)	% of Control Limit			Test Position	Height (cm)	% of Control Limit		
1	20	0.5%			6	120	2.0%		
2	40	0.6%			7	140	3.1%		
3	60	0.6%			8	160	3.4%		
4	80	0.7%			9	180	4.6%		
5	100	0.9%			10	200	4.3%		
								IEEE Controlled Limit	IEEE Uncontrolled Limit
								2.84	0.57
								<b>RF Po (*Max)</b>	
								42.0	

BS-Position 2

Table 80

External Vehicle MPE Assessment @ 859.0125 MHz									
Antenna Location	Antenna Model	Gain (dBi)	Meas. Distance (cm)	E/H Field	Calibration Factor	Average over Body (mW/cm <sup>2</sup> )	Initial Power (W)	Pwr. Density Calc. (mW/cm <sup>2</sup> )	Pwr. Density Max Calc. (mW/cm <sup>2</sup> )
Roof (cnt)	HAF4016A	2.15	60	E	0.72	0.062	41.7	0.031	0.03
Measurement Grid									
Test Position	Height (cm)	% of Control Limit			Test Position	Height (cm)	% of Control Limit		
1	20	0.2%			6	120	2.2%		
2	40	0.3%			7	140	3.1%		
3	60	0.5%			8	160	3.8%		
4	80	0.7%			9	180	5.2%		
5	100	0.9%			10	200	4.8%		
								IEEE Controlled Limit	IEEE Uncontrolled Limit
								2.86	0.57
								<b>RF Po (*Max)</b>	
								42.0	

BS-Position 2

Table 81

External Vehicle MPE Assessment @ 868.9875 MHz									
Antenna Location	Antenna Model	Gain (dBi)	Meas. Distance (cm)	E/H Field	Calibration Factor	Average over Body (mW/cm <sup>2</sup> )	Initial Power (W)	Pwr. Density Calc. (mW/cm <sup>2</sup> )	Pwr. Density Max Calc. (mW/cm <sup>2</sup> )
Roof (cnt)	HAF4016A	2.15	60	E	0.71	0.065	41.9	0.032	0.03
Measurement Grid									
Test Position	Height (cm)	% of Control Limit			Test Position	Height (cm)	% of Control Limit		
1	20	0.3%			6	120	2.1%		
2	40	0.4%			7	140	3.2%		
3	60	0.4%			8	160	3.9%		
4	80	0.8%			9	180	5.3%		
5	100	1.1%			10	200	4.8%		
								IEEE Controlled Limit	IEEE Uncontrolled Limit
								2.90	0.58
								<b>RF Po (*Max)</b>	
								42.0	

7/800MHz Mobile M20URS9PW1AN

BS-Position 2

Table 82

External Vehicle MPE Assessment @ 764.0875 MHz									
Antenna Location	Antenna Model	Gain (dBi)	Meas. Distance (cm)	E/H Field	Calibration Factor	Average over Body (mW/cm <sup>2</sup> )	Initial Power (W)	Pwr. Density Calc. (mW/cm <sup>2</sup> )	Pwr. Density Max Calc. (mW/cm <sup>2</sup> )
Roof (cnt)	HAF4014A	5.15	60	E	0.78	0.089	36.0	0.045	0.04
Measurement Grid									
Test Position	Height (cm)	% of Control Limit		Test Position	Height (cm)	% of Control Limit		IEEE Controlled Limit	IEEE Uncontrolled Limit
1	20	0.5%		6	120	4.6%		2.55	0.51
2	40	0.5%		7	140	5.8%			
3	60	0.7%		8	160	7.3%			
4	80	1.4%		9	180	7.3%			
5	100	2.9%		10	200	4.1%			
								RF Po (*Max)	
								36.0	

BS-Position 2

Table 83

External Vehicle MPE Assessment @ 773.0125 MHz									
Antenna Location	Antenna Model	Gain (dBi)	Meas. Distance (cm)	E/H Field	Calibration Factor	Average over Body (mW/cm <sup>2</sup> )	Initial Power (W)	Pwr. Density Calc. (mW/cm <sup>2</sup> )	Pwr. Density Max Calc. (mW/cm <sup>2</sup> )
Roof (cnt)	HAF4014A	5.15	60	E	0.78	0.102	36.0	0.051	0.05
Measurement Grid									
Test Position	Height (cm)	% of Control Limit		Test Position	Height (cm)	% of Control Limit		IEEE Controlled Limit	IEEE Uncontrolled Limit
1	20	0.4%		6	120	4.6%		2.58	0.52
2	40	0.5%		7	140	6.2%			
3	60	1.0%		8	160	8.3%			
4	80	1.3%		9	180	8.4%			
5	100	3.7%		10	200	5.1%			
								RF Po (*Max)	
								36.0	

BS-Position 2

Table 84

External Vehicle MPE Assessment @ 775.9125 MHz									
Antenna Location	Antenna Model	Gain (dBi)	Meas. Distance (cm)	E/H Field	Calibration Factor	Average over Body (mW/cm <sup>2</sup> )	Initial Power (W)	Pwr. Density Calc. (mW/cm <sup>2</sup> )	Pwr. Density Max Calc. (mW/cm <sup>2</sup> )
Roof (cnt)	HAF4014A	5.15	60	E	0.77	0.109	36.1	0.054	0.05
Measurement Grid									
Test Position	Height (cm)	% of Control Limit		Test Position	Height (cm)	% of Control Limit		IEEE Controlled Limit	IEEE Uncontrolled Limit
1	20	0.3%		6	120	4.3%		2.59	0.52
2	40	0.4%		7	140	7.5%			
3	60	1.2%		8	160	9.7%			
4	80	1.4%		9	180	8.7%			
5	100	3.9%		10	200	4.7%			
								RF Po (*Max)	
								36.0	

7/800MHz Mobile M20URS9PW1AN

BS-Position 2

Table 85

External Vehicle MPE Assessment @ 794.0875 MHz									
Antenna Location	Antenna Model	Gain (dBi)	Meas. Distance (cm)	E/H Field	Calibration Factor	Average over Body (mW/cm <sup>2</sup> )	Initial Power (W)	Pwr. Density Calc. (mW/cm <sup>2</sup> )	Pwr. Density Max Calc. (mW/cm <sup>2</sup> )
Roof (cnt)	HAF4014A	5.15	60	E	0.76	0.099	37.0	0.049	0.05
Measurement Grid									
Test Position	Height (cm)	% of Control Limit		Test Position	Height (cm)	% of Control Limit		IEEE Controlled Limit	IEEE Uncontrolled Limit
1	20	0.4%		6	120	3.1%		2.65	0.53
2	40	0.6%		7	140	5.4%			
3	60	1.2%		8	160	8.8%			
4	80	1.5%		9	180	9.0%			
5	100	2.6%		10	200	4.8%			
								RF Po (*Max)	
								36.0	

BS-Position 2

Table 86

External Vehicle MPE Assessment @ 809.0125 MHz									
Antenna Location	Antenna Model	Gain (dBi)	Meas. Distance (cm)	E/H Field	Calibration Factor	Average over Body (mW/cm <sup>2</sup> )	Initial Power (W)	Pwr. Density Calc. (mW/cm <sup>2</sup> )	Pwr. Density Max Calc. (mW/cm <sup>2</sup> )
Roof (cnt)	HAF4014A	5.15	60	E	0.75	0.122	41.3	0.061	0.06
Measurement Grid									
Test Position	Height (cm)	% of Control Limit		Test Position	Height (cm)	% of Control Limit		IEEE Controlled Limit	IEEE Uncontrolled Limit
1	20	0.4%		6	120	3.4%		2.70	0.54
2	40	0.8%		7	140	8.3%			
3	60	1.4%		8	160	11.6%			
4	80	1.5%		9	180	10.5%			
5	100	2.0%		10	200	5.2%			
								RF Po (*Max)	
								42.0	

BS-Position 2

Table 87

External Vehicle MPE Assessment @ 823.9875 MHz									
Antenna Location	Antenna Model	Gain (dBi)	Meas. Distance (cm)	E/H Field	Calibration Factor	Average over Body (mW/cm <sup>2</sup> )	Initial Power (W)	Pwr. Density Calc. (mW/cm <sup>2</sup> )	Pwr. Density Max Calc. (mW/cm <sup>2</sup> )
Roof (cnt)	HAF4014A	5.15	60	E	0.74	0.090	41.6	0.045	0.05
Measurement Grid									
Test Position	Height (cm)	% of Control Limit		Test Position	Height (cm)	% of Control Limit		IEEE Controlled Limit	IEEE Uncontrolled Limit
1	20	0.4%		6	120	2.4%		2.75	0.55
2	40	0.6%		7	140	7.3%			
3	60	1.0%		8	160	7.9%			
4	80	1.0%		9	180	7.0%			
5	100	1.1%		10	200	4.1%			
								RF Po (*Max)	
								42.0	



7/800MHz Mobile M20URS9PW1AN

BS-Position 2

Table 88

External Vehicle MPE Assessment @ 851.0125 MHz									
Antenna Location	Antenna Model	Gain (dBi)	Meas. Distance (cm)	E/H Field	Calibration Factor	Average over Body (mW/cm <sup>2</sup> )	Initial Power (W)	Pwr. Density Calc. (mW/cm <sup>2</sup> )	Pwr. Density Max Calc. (mW/cm <sup>2</sup> )
Roof (cnt)	HAF4014A	5.15	60	E	0.73	0.075	41.9	0.038	0.04
Measurement Grid									
Test Position	Height (cm)	% of Control Limit			Test Position	Height (cm)	% of Control Limit		
1	20	0.3%			6	120	3.3%		
2	40	0.3%			7	140	4.6%		
3	60	0.6%			8	160	5.7%		
4	80	0.8%			9	180	6.1%		
5	100	1.3%			10	200	3.6%		
								IEEE Controlled Limit	IEEE Uncontrolled Limit
									RF Po (*Max)
									42.0

BS-Position 2

Table 89

External Vehicle MPE Assessment @ 859.0125 MHz									
Antenna Location	Antenna Model	Gain (dBi)	Meas. Distance (cm)	E/H Field	Calibration Factor	Average over Body (mW/cm <sup>2</sup> )	Initial Power (W)	Pwr. Density Calc. (mW/cm <sup>2</sup> )	Pwr. Density Max Calc. (mW/cm <sup>2</sup> )
Roof (cnt)	HAF4014A	5.15	60	E	0.72	0.072	41.7	0.036	0.04
Measurement Grid									
Test Position	Height (cm)	% of Control Limit			Test Position	Height (cm)	% of Control Limit		
1	20	0.2%			6	120	2.7%		
2	40	0.4%			7	140	4.6%		
3	60	0.5%			8	160	4.8%		
4	80	0.6%			9	180	5.4%		
5	100	1.5%			10	200	4.4%		
								IEEE Controlled Limit	IEEE Uncontrolled Limit
									RF Po (*Max)
									42.0

BS-Position 2

Table 90

External Vehicle MPE Assessment @ 868.9875 MHz									
Antenna Location	Antenna Model	Gain (dBi)	Meas. Distance (cm)	E/H Field	Calibration Factor	Average over Body (mW/cm <sup>2</sup> )	Initial Power (W)	Pwr. Density Calc. (mW/cm <sup>2</sup> )	Pwr. Density Max Calc. (mW/cm <sup>2</sup> )
Roof (cnt)	HAF4014A	5.15	60	E	0.71	0.075	41.9	0.038	0.04
Measurement Grid									
Test Position	Height (cm)	% of Control Limit			Test Position	Height (cm)	% of Control Limit		
1	20	0.3%			6	120	3.6%		
2	40	0.3%			7	140	4.2%		
3	60	0.5%			8	160	4.2%		
4	80	0.6%			9	180	6.0%		
5	100	1.6%			10	200	4.7%		
								IEEE Controlled Limit	IEEE Uncontrolled Limit
									RF Po (*Max)
									42.0

7/800MHz Mobile M20URS9PW1AN

BS-Position 2

Table 91

External Vehicle MPE Assessment @ 764.0875 MHz									
Antenna Location	Antenna Model	Gain (dBi)	Meas. Distance (cm)	E/H Field	Calibration Factor	Average over Body (mW/cm <sup>2</sup> )	Initial Power (W)	Pwr. Density Calc. (mW/cm <sup>2</sup> )	Pwr. Density Max Calc. (mW/cm <sup>2</sup> )
Roof (cnt)	HAF4013A	5.15	60	E	0.78	0.064	36.0	0.032	0.03
Measurement Grid									
Test Position	Height (cm)	% of Control Limit		Test Position	Height (cm)	% of Control Limit		IEEE Controlled Limit	IEEE Uncontrolled Limit
1	20	0.2%		6	120	2.5%		2.55	0.51
2	40	0.3%		7	140	3.1%			
3	60	0.5%		8	160	4.6%			
4	80	0.7%		9	180	5.6%			
5	100	1.5%		10	200	6.3%			
								<b>RF Po (*Max)</b>	36.0

BS-Position 2

Table 92

External Vehicle MPE Assessment @ 773.0125 MHz									
Antenna Location	Antenna Model	Gain (dBi)	Meas. Distance (cm)	E/H Field	Calibration Factor	Average over Body (mW/cm <sup>2</sup> )	Initial Power (W)	Pwr. Density Calc. (mW/cm <sup>2</sup> )	Pwr. Density Max Calc. (mW/cm <sup>2</sup> )
Roof (cnt)	HAF4013A	5.15	60	E	0.78	0.068	36.0	0.034	0.03
Measurement Grid									
Test Position	Height (cm)	% of Control Limit		Test Position	Height (cm)	% of Control Limit		IEEE Controlled Limit	IEEE Uncontrolled Limit
1	20	0.2%		6	120	2.2%		2.58	0.52
2	40	0.2%		7	140	3.3%			
3	60	0.5%		8	160	4.8%			
4	80	0.8%		9	180	5.8%			
5	100	1.9%		10	200	6.5%			
								<b>RF Po (*Max)</b>	36.0

BS-Position 2

Table 93

External Vehicle MPE Assessment @ 775.9125 MHz									
Antenna Location	Antenna Model	Gain (dBi)	Meas. Distance (cm)	E/H Field	Calibration Factor	Average over Body (mW/cm <sup>2</sup> )	Initial Power (W)	Pwr. Density Calc. (mW/cm <sup>2</sup> )	Pwr. Density Max Calc. (mW/cm <sup>2</sup> )
Roof (cnt)	HAF4013A	5.15	60	E	0.77	0.063	36.1	0.032	0.03
Measurement Grid									
Test Position	Height (cm)	% of Control Limit		Test Position	Height (cm)	% of Control Limit		IEEE Controlled Limit	IEEE Uncontrolled Limit
1	20	0.1%		6	120	1.7%		2.59	0.52
2	40	0.3%		7	140	2.4%			
3	60	0.4%		8	160	4.7%			
4	80	0.9%		9	180	6.2%			
5	100	1.3%		10	200	6.5%			
								<b>RF Po (*Max)</b>	36.0

7/800MHz Mobile M20URS9PW1AN

BS-Position 2

Table 94

External Vehicle MPE Assessment @ 794.0875 MHz									
Antenna Location	Antenna Model	Gain (dBi)	Meas. Distance (cm)	E/H Field	Calibration Factor	Average over Body (mW/cm <sup>2</sup> )	Initial Power (W)	Pwr. Density Calc. (mW/cm <sup>2</sup> )	Pwr. Density Max Calc. (mW/cm <sup>2</sup> )
Roof (cnt)	HAF4013A	5.15	60	E	0.76	0.061	37.0	0.030	0.03
Measurement Grid									
Test Position	Height (cm)	% of Control Limit			Test Position	Height (cm)	% of Control Limit		
1	20	0.2%			6	120	1.0%		
2	40	0.4%			7	140	2.1%		
3	60	0.7%			8	160	4.2%		
4	80	0.9%			9	180	6.4%		
5	100	1.0%			10	200	6.0%		
								IEEE Controlled Limit	IEEE Uncontrolled Limit
									RF Po (*Max)
									36.0

BS-Position 2

Table 95

External Vehicle MPE Assessment @ 809.0125 MHz									
Antenna Location	Antenna Model	Gain (dBi)	Meas. Distance (cm)	E/H Field	Calibration Factor	Average over Body (mW/cm <sup>2</sup> )	Initial Power (W)	Pwr. Density Calc. (mW/cm <sup>2</sup> )	Pwr. Density Max Calc. (mW/cm <sup>2</sup> )
Roof (cnt)	HAF4013A	5.15	60	E	0.75	0.074	41.3	0.037	0.04
Measurement Grid									
Test Position	Height (cm)	% of Control Limit			Test Position	Height (cm)	% of Control Limit		
1	20	0.2%			6	120	1.6%		
2	40	0.4%			7	140	3.4%		
3	60	0.9%			8	160	6.0%		
4	80	0.9%			9	180	7.1%		
5	100	1.0%			10	200	6.0%		
								IEEE Controlled Limit	IEEE Uncontrolled Limit
									RF Po (*Max)
									42.0

BS-Position 2

Table 96

External Vehicle MPE Assessment @ 823.9875 MHz									
Antenna Location	Antenna Model	Gain (dBi)	Meas. Distance (cm)	E/H Field	Calibration Factor	Average over Body (mW/cm <sup>2</sup> )	Initial Power (W)	Pwr. Density Calc. (mW/cm <sup>2</sup> )	Pwr. Density Max Calc. (mW/cm <sup>2</sup> )
Roof (cnt)	HAF4013A	5.15	60	E	0.74	0.065	41.6	0.033	0.03
Measurement Grid									
Test Position	Height (cm)	% of Control Limit			Test Position	Height (cm)	% of Control Limit		
1	20	0.3%			6	120	1.7%		
2	40	0.5%			7	140	3.3%		
3	60	0.7%			8	160	4.4%		
4	80	0.7%			9	180	5.7%		
5	100	1.0%			10	200	5.5%		
								IEEE Controlled Limit	IEEE Uncontrolled Limit
									RF Po (*Max)
									42.0

7/800MHz Mobile M20URS9PW1AN

BS-Position 2

Table 97

External Vehicle MPE Assessment @ 851.0125 MHz										
Antenna Location	Antenna Model	Gain (dBi)	Meas. Distance (cm)	E/H Field	Calibration Factor	Average over Body (mW/cm <sup>2</sup> )	Initial Power (W)	Pwr. Density Calc. (mW/cm <sup>2</sup> )	Pwr. Density Max Calc. (mW/cm <sup>2</sup> )	
Roof (cnt)	HAF4013A	5.15	60	E	0.73	0.064	41.9	0.032	0.03	
Measurement Grid										
Test Position	Height (cm)	% of Control Limit			Test Position	Height (cm)	% of Control Limit		IEEE Controlled Limit	IEEE Uncontrolled Limit
1	20	0.3%			6	120	2.0%		2.84	0.57
2	40	0.3%			7	140	3.3%			
3	60	0.5%			8	160	3.8%			
4	80	0.6%			9	180	5.3%			
5	100	0.9%			10	200	5.5%			
								<b>RF Po (*Max)</b>		42.0

BS-Position 2

Table 98

External Vehicle MPE Assessment @ 859.0125 MHz										
Antenna Location	Antenna Model	Gain (dBi)	Meas. Distance (cm)	E/H Field	Calibration Factor	Average over Body (mW/cm <sup>2</sup> )	Initial Power (W)	Pwr. Density Calc. (mW/cm <sup>2</sup> )	Pwr. Density Max Calc. (mW/cm <sup>2</sup> )	
Roof (cnt)	HAF4013A	5.15	60	E	0.72	0.072	41.7	0.036	0.04	
Measurement Grid										
Test Position	Height (cm)	% of Control Limit			Test Position	Height (cm)	% of Control Limit		IEEE Controlled Limit	IEEE Uncontrolled Limit
1	20	0.3%			6	120	2.6%		2.86	0.57
2	40	0.4%			7	140	3.7%			
3	60	0.5%			8	160	3.9%			
4	80	0.7%			9	180	5.6%			
5	100	1.3%			10	200	6.0%			
								<b>RF Po (*Max)</b>		42.0

BS-Position 2

Table 99

External Vehicle MPE Assessment @ 868.9875 MHz										
Antenna Location	Antenna Model	Gain (dBi)	Meas. Distance (cm)	E/H Field	Calibration Factor	Average over Body (mW/cm <sup>2</sup> )	Initial Power (W)	Pwr. Density Calc. (mW/cm <sup>2</sup> )	Pwr. Density Max Calc. (mW/cm <sup>2</sup> )	
Roof (cnt)	HAF4013A	5.15	60	E	0.71	0.071	41.9	0.035	0.04	
Measurement Grid										
Test Position	Height (cm)	% of Control Limit			Test Position	Height (cm)	% of Control Limit		IEEE Controlled Limit	IEEE Uncontrolled Limit
1	20	0.3%			6	120	2.0%		2.90	0.58
2	40	0.3%			7	140	4.0%			
3	60	0.5%			8	160	4.6%			
4	80	0.7%			9	180	5.8%			
5	100	1.0%			10	200	5.3%			
								<b>RF Po (*Max)</b>		42.0

7/800MHz Mobile M20URS9PW1AN

BS-Position 2

Table 100

External Vehicle MPE Assessment @ 764.0875 MHz									
Antenna Location	Antenna Model	Gain (dBi)	Meas. Distance (cm)	E/H Field	Calibration Factor	Average over Body (mW/cm <sup>2</sup> )	Initial Power (W)	Pwr. Density Calc. (mW/cm <sup>2</sup> )	Pwr. Density Max Calc. (mW/cm <sup>2</sup> )
Roof (cnt)	HAF4017A	5.15	60	E	0.78	0.037	36.0	0.019	0.02
Measurement Grid									
Test Position	Height (cm)	% of Control Limit		Test Position	Height (cm)	% of Control Limit		IEEE Controlled Limit	IEEE Uncontrolled Limit
1	20	0.0%		6	120	0.8%		2.55	0.51
2	40	0.0%		7	140	1.4%			
3	60	0.1%		8	160	2.5%			
4	80	0.1%		9	180	4.0%			
5	100	0.3%		10	200	5.3%			
								<b>RF Po (*Max)</b>	36.0

BS-Position 2

Table 101

External Vehicle MPE Assessment @ 773.0125 MHz									
Antenna Location	Antenna Model	Gain (dBi)	Meas. Distance (cm)	E/H Field	Calibration Factor	Average over Body (mW/cm <sup>2</sup> )	Initial Power (W)	Pwr. Density Calc. (mW/cm <sup>2</sup> )	Pwr. Density Max Calc. (mW/cm <sup>2</sup> )
Roof (cnt)	HAF4017A	5.15	60	E	0.78	0.034	36.0	0.017	0.02
Measurement Grid									
Test Position	Height (cm)	% of Control Limit		Test Position	Height (cm)	% of Control Limit		IEEE Controlled Limit	IEEE Uncontrolled Limit
1	20	0.1%		6	120	0.4%		2.58	0.52
2	40	0.1%		7	140	1.1%			
3	60	0.1%		8	160	2.8%			
4	80	0.1%		9	180	4.0%			
5	100	0.1%		10	200	4.4%			
								<b>RF Po (*Max)</b>	36.0

BS-Position 2

Table 102

External Vehicle MPE Assessment @ 775.9125 MHz									
Antenna Location	Antenna Model	Gain (dBi)	Meas. Distance (cm)	E/H Field	Calibration Factor	Average over Body (mW/cm <sup>2</sup> )	Initial Power (W)	Pwr. Density Calc. (mW/cm <sup>2</sup> )	Pwr. Density Max Calc. (mW/cm <sup>2</sup> )
Roof (cnt)	HAF4017A	5.15	60	E	0.77	0.037	36.1	0.019	0.02
Measurement Grid									
Test Position	Height (cm)	% of Control Limit		Test Position	Height (cm)	% of Control Limit		IEEE Controlled Limit	IEEE Uncontrolled Limit
1	20	0.0%		6	120	0.8%		2.59	0.52
2	40	0.1%		7	140	1.2%			
3	60	0.1%		8	160	3.4%			
4	80	0.1%		9	180	4.2%			
5	100	0.1%		10	200	4.4%			
								<b>RF Po (*Max)</b>	36.0

7/800MHz Mobile M20URS9PW1AN

BS-Position 2

Table 103

External Vehicle MPE Assessment @ 794.0875 MHz									
Antenna Location	Antenna Model	Gain (dBi)	Meas. Distance (cm)	E/H Field	Calibration Factor	Average over Body (mW/cm <sup>2</sup> )	Initial Power (W)	Pwr. Density Calc. (mW/cm <sup>2</sup> )	Pwr. Density Max Calc. (mW/cm <sup>2</sup> )
Roof (cnt)	HAF4017A	5.15	60	E	0.76	0.053	37.0	0.026	0.03
Measurement Grid									
Test Position	Height (cm)	% of Control Limit			Test Position	Height (cm)	% of Control Limit		
1	20	0.0%			6	120	1.1%		
2	40	0.0%			7	140	2.6%		
3	60	0.1%			8	160	5.4%		
4	80	0.2%			9	180	5.1%		
5	100	0.9%			10	200	4.6%		
								IEEE Controlled Limit	IEEE Uncontrolled Limit
									RF Po (*Max)
									36.0

BS-Position 2

Table 104

External Vehicle MPE Assessment @ 809.0125 MHz									
Antenna Location	Antenna Model	Gain (dBi)	Meas. Distance (cm)	E/H Field	Calibration Factor	Average over Body (mW/cm <sup>2</sup> )	Initial Power (W)	Pwr. Density Calc. (mW/cm <sup>2</sup> )	Pwr. Density Max Calc. (mW/cm <sup>2</sup> )
Roof (cnt)	HAF4017A	5.15	60	E	0.75	0.075	41.3	0.037	0.04
Measurement Grid									
Test Position	Height (cm)	% of Control Limit			Test Position	Height (cm)	% of Control Limit		
1	20	0.0%			6	120	1.5%		
2	40	0.1%			7	140	3.7%		
3	60	0.3%			8	160	7.6%		
4	80	0.5%			9	180	7.7%		
5	100	0.7%			10	200	5.6%		
								IEEE Controlled Limit	IEEE Uncontrolled Limit
									RF Po (*Max)
									42.0

BS-Position 2

Table 105

External Vehicle MPE Assessment @ 823.9875 MHz									
Antenna Location	Antenna Model	Gain (dBi)	Meas. Distance (cm)	E/H Field	Calibration Factor	Average over Body (mW/cm <sup>2</sup> )	Initial Power (W)	Pwr. Density Calc. (mW/cm <sup>2</sup> )	Pwr. Density Max Calc. (mW/cm <sup>2</sup> )
Roof (cnt)	HAF4017A	5.15	60	E	0.74	0.075	41.6	0.038	0.04
Measurement Grid									
Test Position	Height (cm)	% of Control Limit			Test Position	Height (cm)	% of Control Limit		
1	20	0.0%			6	120	1.8%		
2	40	0.3%			7	140	5.4%		
3	60	0.5%			8	160	5.7%		
4	80	0.7%			9	180	6.6%		
5	100	0.9%			10	200	5.5%		
								IEEE Controlled Limit	IEEE Uncontrolled Limit
									RF Po (*Max)
									42.0

7/800MHz Mobile M20URS9PW1AN

BS-Position 2

Table 106

External Vehicle MPE Assessment @ 851.0125 MHz									
Antenna Location	Antenna Model	Gain (dBi)	Meas. Distance (cm)	E/H Field	Calibration Factor	Average over Body (mW/cm <sup>2</sup> )	Initial Power (W)	Pwr. Density Calc. (mW/cm <sup>2</sup> )	Pwr. Density Max Calc. (mW/cm <sup>2</sup> )
Roof (cnt)	HAF4017A	5.15	60	E	0.73	0.079	41.9	0.040	0.04
Measurement Grid									
Test Position	Height (cm)	% of Control Limit		Test Position	Height (cm)	% of Control Limit		IEEE Controlled Limit	IEEE Uncontrolled Limit
1	20	0.3%		6	120	3.4%		2.84	0.57
2	40	0.4%		7	140	5.0%			
3	60	0.5%		8	160	5.4%			
4	80	0.7%		9	180	5.5%			
5	100	1.5%		10	200	5.2%			
								RF Po (*Max)	42.0

BS-Position 2

Table 107

External Vehicle MPE Assessment @ 859.0125 MHz									
Antenna Location	Antenna Model	Gain (dBi)	Meas. Distance (cm)	E/H Field	Calibration Factor	Average over Body (mW/cm <sup>2</sup> )	Initial Power (W)	Pwr. Density Calc. (mW/cm <sup>2</sup> )	Pwr. Density Max Calc. (mW/cm <sup>2</sup> )
Roof (cnt)	HAF4017A	5.15	60	E	0.72	0.068	41.7	0.034	0.03
Measurement Grid									
Test Position	Height (cm)	% of Control Limit		Test Position	Height (cm)	% of Control Limit		IEEE Controlled Limit	IEEE Uncontrolled Limit
1	20	0.1%		6	120	2.7%		2.86	0.57
2	40	0.3%		7	140	4.7%			
3	60	0.4%		8	160	4.8%			
4	80	0.6%		9	180	4.7%			
5	100	1.0%		10	200	4.6%			
								RF Po (*Max)	42.0

BS-Position 2

Table 108

External Vehicle MPE Assessment @ 868.9875 MHz									
Antenna Location	Antenna Model	Gain (dBi)	Meas. Distance (cm)	E/H Field	Calibration Factor	Average over Body (mW/cm <sup>2</sup> )	Initial Power (W)	Pwr. Density Calc. (mW/cm <sup>2</sup> )	Pwr. Density Max Calc. (mW/cm <sup>2</sup> )
Roof (cnt)	HAF4017A	5.15	60	E	0.71	0.062	41.9	0.031	0.03
Measurement Grid									
Test Position	Height (cm)	% of Control Limit		Test Position	Height (cm)	% of Control Limit		IEEE Controlled Limit	IEEE Uncontrolled Limit
1	20	0.2%		6	120	2.7%		2.90	0.58
2	40	0.3%		7	140	4.0%			
3	60	0.4%		8	160	4.4%			
4	80	0.6%		9	180	4.6%			
5	100	1.1%		10	200	3.1%			
								RF Po (*Max)	42.0

7/800MHz Mobile M20URS9PW1AN

BS-Position 3

Table 109

External Vehicle MPE Assessment @ 764.0875 MHz									
Antenna Location	Antenna Model	Gain (dBi)	Meas. Distance (cm)	E/H Field	Calibration Factor	Average over Body (mW/cm <sup>2</sup> )	Initial Power (W)	Pwr. Density Calc. (mW/cm <sup>2</sup> )	Pwr. Density Max Calc. (mW/cm <sup>2</sup> )
Roof (cnt)	HAF4016A	2.15	60	E	0.78	0.016	36.0	0.008	0.01
Measurement Grid									
Test Position	Height (cm)	% of Control Limit		Test Position	Height (cm)	% of Control Limit		IEEE Controlled Limit	IEEE Uncontrolled Limit
1	20	0.0%		6	120	0.2%		2.55	0.51
2	40	0.0%		7	140	0.4%			
3	60	0.0%		8	160	1.0%			
4	80	0.0%		9	180	1.5%			
5	100	0.0%		10	200	3.1%			
								<b>RF Po (*Max)</b>	36.0

BS-Position 3

Table 110

External Vehicle MPE Assessment @ 773.0125 MHz									
Antenna Location	Antenna Model	Gain (dBi)	Meas. Distance (cm)	E/H Field	Calibration Factor	Average over Body (mW/cm <sup>2</sup> )	Initial Power (W)	Pwr. Density Calc. (mW/cm <sup>2</sup> )	Pwr. Density Max Calc. (mW/cm <sup>2</sup> )
Roof (cnt)	HAF4016A	2.15	60	E	0.78	0.022	36.0	0.011	0.01
Measurement Grid									
Test Position	Height (cm)	% of Control Limit		Test Position	Height (cm)	% of Control Limit		IEEE Controlled Limit	IEEE Uncontrolled Limit
1	20	0.0%		6	120	0.2%		2.58	0.52
2	40	0.0%		7	140	1.4%			
3	60	0.0%		8	160	2.2%			
4	80	0.2%		9	180	1.6%			
5	100	0.2%		10	200	2.8%			
								<b>RF Po (*Max)</b>	36.0

BS-Position 3

Table 111

External Vehicle MPE Assessment @ 775.9125 MHz									
Antenna Location	Antenna Model	Gain (dBi)	Meas. Distance (cm)	E/H Field	Calibration Factor	Average over Body (mW/cm <sup>2</sup> )	Initial Power (W)	Pwr. Density Calc. (mW/cm <sup>2</sup> )	Pwr. Density Max Calc. (mW/cm <sup>2</sup> )
Roof (cnt)	HAF4016A	2.15	60	E	0.77	0.020	36.1	0.010	0.01
Measurement Grid									
Test Position	Height (cm)	% of Control Limit		Test Position	Height (cm)	% of Control Limit		IEEE Controlled Limit	IEEE Uncontrolled Limit
1	20	0.1%		6	120	0.4%		2.59	0.52
2	40	0.0%		7	140	1.0%			
3	60	0.1%		8	160	1.6%			
4	80	0.1%		9	180	1.6%			
5	100	0.3%		10	200	2.5%			
								<b>RF Po (*Max)</b>	36.0



7/800MHz Mobile M20URS9PW1AN

BS-Position 3

Table 112

External Vehicle MPE Assessment @ 794.0875 MHz									
Antenna Location	Antenna Model	Gain (dBi)	Meas. Distance (cm)	E/H Field	Calibration Factor	Average over Body (mW/cm <sup>2</sup> )	Initial Power (W)	Pwr. Density Calc. (mW/cm <sup>2</sup> )	Pwr. Density Max Calc. (mW/cm <sup>2</sup> )
Roof (cnt)	HAF4016A	2.15	60	E	0.76	0.020	37.0	0.010	0.01
Measurement Grid									
Test Position	Height (cm)	% of Control Limit			Test Position	Height (cm)	% of Control Limit		
1	20	0.0%			6	120	0.2%		
2	40	0.0%			7	140	1.2%		
3	60	0.0%			8	160	1.6%		
4	80	0.1%			9	180	1.7%		
5	100	0.1%			10	200	2.5%		
								IEEE Controlled Limit	IEEE Uncontrolled Limit
									RF Po (*Max)
									36.0

BS-Position 3

Table 113

External Vehicle MPE Assessment @ 809.0125 MHz									
Antenna Location	Antenna Model	Gain (dBi)	Meas. Distance (cm)	E/H Field	Calibration Factor	Average over Body (mW/cm <sup>2</sup> )	Initial Power (W)	Pwr. Density Calc. (mW/cm <sup>2</sup> )	Pwr. Density Max Calc. (mW/cm <sup>2</sup> )
Roof (cnt)	HAF4016A	2.15	60	E	0.75	0.021	41.3	0.011	0.01
Measurement Grid									
Test Position	Height (cm)	% of Control Limit			Test Position	Height (cm)	% of Control Limit		
1	20	0.0%			6	120	0.5%		
2	40	0.0%			7	140	0.9%		
3	60	0.0%			8	160	1.4%		
4	80	0.0%			9	180	1.9%		
5	100	0.1%			10	200	3.0%		
								IEEE Controlled Limit	IEEE Uncontrolled Limit
									RF Po (*Max)
									42.0

BS-Position 3

Table 114

External Vehicle MPE Assessment @ 823.9875 MHz									
Antenna Location	Antenna Model	Gain (dBi)	Meas. Distance (cm)	E/H Field	Calibration Factor	Average over Body (mW/cm <sup>2</sup> )	Initial Power (W)	Pwr. Density Calc. (mW/cm <sup>2</sup> )	Pwr. Density Max Calc. (mW/cm <sup>2</sup> )
Roof (cnt)	HAF4016A	2.15	60	E	0.74	0.017	41.6	0.008	0.01
Measurement Grid									
Test Position	Height (cm)	% of Control Limit			Test Position	Height (cm)	% of Control Limit		
1	20	0.0%			6	120	0.3%		
2	40	0.0%			7	140	0.7%		
3	60	0.0%			8	160	0.8%		
4	80	0.0%			9	180	1.6%		
5	100	0.0%			10	200	2.7%		
								IEEE Controlled Limit	IEEE Uncontrolled Limit
									RF Po (*Max)
									42.0

7/800MHz Mobile M20URS9PW1AN

BS-Position 3

Table 115

External Vehicle MPE Assessment @ 851.0125 MHz									
Antenna Location	Antenna Model	Gain (dBi)	Meas. Distance (cm)	E/H Field	Calibration Factor	Average over Body (mW/cm <sup>2</sup> )	Initial Power (W)	Pwr. Density Calc. (mW/cm <sup>2</sup> )	Pwr. Density Max Calc. (mW/cm <sup>2</sup> )
Roof (cnt)	HAF4016A	2.15	60	E	0.73	0.021	41.9	0.011	0.01
Measurement Grid									
Test Position	Height (cm)	% of Control Limit		Test Position	Height (cm)	% of Control Limit		IEEE Controlled Limit	IEEE Uncontrolled Limit
1	20	0.0%		6	120	0.1%		2.84	0.57
2	40	0.0%		7	140	0.8%			
3	60	0.0%		8	160	1.4%			
4	80	0.0%		9	180	2.1%			
5	100	0.1%		10	200	3.1%			
								<b>RF Po (*Max)</b>	
								42.0	

BS-Position 3

Table 116

External Vehicle MPE Assessment @ 859.0125 MHz									
Antenna Location	Antenna Model	Gain (dBi)	Meas. Distance (cm)	E/H Field	Calibration Factor	Average over Body (mW/cm <sup>2</sup> )	Initial Power (W)	Pwr. Density Calc. (mW/cm <sup>2</sup> )	Pwr. Density Max Calc. (mW/cm <sup>2</sup> )
Roof (cnt)	HAF4016A	2.15	60	E	0.72	0.018	41.7	0.009	0.01
Measurement Grid									
Test Position	Height (cm)	% of Control Limit		Test Position	Height (cm)	% of Control Limit		IEEE Controlled Limit	IEEE Uncontrolled Limit
1	20	0.0%		6	120	0.1%		2.86	0.57
2	40	0.0%		7	140	0.5%			
3	60	0.0%		8	160	1.1%			
4	80	0.0%		9	180	1.6%			
5	100	0.0%		10	200	3.0%			
								<b>RF Po (*Max)</b>	
								42.0	

BS-Position 3

Table 117

External Vehicle MPE Assessment @ 868.9875 MHz									
Antenna Location	Antenna Model	Gain (dBi)	Meas. Distance (cm)	E/H Field	Calibration Factor	Average over Body (mW/cm <sup>2</sup> )	Initial Power (W)	Pwr. Density Calc. (mW/cm <sup>2</sup> )	Pwr. Density Max Calc. (mW/cm <sup>2</sup> )
Roof (cnt)	HAF4016A	2.15	60	E	0.71	0.025	41.9	0.012	0.01
Measurement Grid									
Test Position	Height (cm)	% of Control Limit		Test Position	Height (cm)	% of Control Limit		IEEE Controlled Limit	IEEE Uncontrolled Limit
1	20	0.0%		6	120	0.1%		2.90	0.58
2	40	0.0%		7	140	1.1%			
3	60	0.0%		8	160	1.6%			
4	80	0.0%		9	180	2.5%			
5	100	0.1%		10	200	3.1%			
								<b>RF Po (*Max)</b>	
								42.0	

7/800MHz Mobile M20URS9PW1AN

BS-Position 3

Table 118

External Vehicle MPE Assessment @ 764.0875 MHz									
Antenna Location	Antenna Model	Gain (dBi)	Meas. Distance (cm)	E/H Field	Calibration Factor	Average over Body (mW/cm <sup>2</sup> )	Initial Power (W)	Pwr. Density Calc. (mW/cm <sup>2</sup> )	Pwr. Density Max Calc. (mW/cm <sup>2</sup> )
Roof (cnt)	HAF4014A	5.15	60	E	0.78	0.033	36.0	0.017	0.02
Measurement Grid									
Test Position	Height (cm)	% of Control Limit			Test Position	Height (cm)	% of Control Limit		
1	20	0.0%			6	120	1.5%		
2	40	0.0%			7	140	1.6%		
3	60	0.3%			8	160	2.3%		
4	80	0.3%			9	180	2.4%		
5	100	0.8%			10	200	3.8%		
								IEEE Controlled Limit	IEEE Uncontrolled Limit
								2.55	0.51
								<b>RF Po (*Max)</b>	
								36.0	

BS-Position 3

Table 119

External Vehicle MPE Assessment @ 773.0125 MHz									
Antenna Location	Antenna Model	Gain (dBi)	Meas. Distance (cm)	E/H Field	Calibration Factor	Average over Body (mW/cm <sup>2</sup> )	Initial Power (W)	Pwr. Density Calc. (mW/cm <sup>2</sup> )	Pwr. Density Max Calc. (mW/cm <sup>2</sup> )
Roof (cnt)	HAF4014A	5.15	60	E	0.78	0.038	36.0	0.019	0.02
Measurement Grid									
Test Position	Height (cm)	% of Control Limit			Test Position	Height (cm)	% of Control Limit		
1	20	0.0%			6	120	1.3%		
2	40	0.0%			7	140	2.6%		
3	60	0.1%			8	160	3.0%		
4	80	0.8%			9	180	2.8%		
5	100	1.1%			10	200	3.2%		
								IEEE Controlled Limit	IEEE Uncontrolled Limit
								2.58	0.52
								<b>RF Po (*Max)</b>	
								36.0	

BS-Position 3

Table 120

External Vehicle MPE Assessment @ 775.9125 MHz									
Antenna Location	Antenna Model	Gain (dBi)	Meas. Distance (cm)	E/H Field	Calibration Factor	Average over Body (mW/cm <sup>2</sup> )	Initial Power (W)	Pwr. Density Calc. (mW/cm <sup>2</sup> )	Pwr. Density Max Calc. (mW/cm <sup>2</sup> )
Roof (cnt)	HAF4014A	5.15	60	E	0.77	0.034	36.1	0.017	0.02
Measurement Grid									
Test Position	Height (cm)	% of Control Limit			Test Position	Height (cm)	% of Control Limit		
1	20	0.0%			6	120	1.2%		
2	40	0.0%			7	140	1.8%		
3	60	0.1%			8	160	2.9%		
4	80	0.5%			9	180	2.0%		
5	100	1.0%			10	200	3.7%		
								IEEE Controlled Limit	IEEE Uncontrolled Limit
								2.59	0.52
								<b>RF Po (*Max)</b>	
								36.0	

7/800MHz Mobile M20URS9PW1AN

BS-Position 3

Table 121

External Vehicle MPE Assessment @ 794.0875 MHz									
Antenna Location	Antenna Model	Gain (dBi)	Meas. Distance (cm)	E/H Field	Calibration Factor	Average over Body (mW/cm <sup>2</sup> )	Initial Power (W)	Pwr. Density Calc. (mW/cm <sup>2</sup> )	Pwr. Density Max Calc. (mW/cm <sup>2</sup> )
Roof (cnt)	HAF4014A	5.15	60	E	0.76	0.029	37.0	0.014	0.01
Measurement Grid									
Test Position	Height (cm)	% of Control Limit		Test Position	Height (cm)	% of Control Limit		IEEE Controlled Limit	IEEE Uncontrolled Limit
1	20	0.0%		6	120	0.8%		2.65	0.53
2	40	0.0%		7	140	1.4%			
3	60	0.0%		8	160	2.4%			
4	80	0.3%		9	180	2.4%			
5	100	0.5%		10	200	3.1%			
								RF Po (*Max)	
								36.0	

BS-Position 3

Table 122

External Vehicle MPE Assessment @ 809.0125 MHz									
Antenna Location	Antenna Model	Gain (dBi)	Meas. Distance (cm)	E/H Field	Calibration Factor	Average over Body (mW/cm <sup>2</sup> )	Initial Power (W)	Pwr. Density Calc. (mW/cm <sup>2</sup> )	Pwr. Density Max Calc. (mW/cm <sup>2</sup> )
Roof (cnt)	HAF4014A	5.15	60	E	0.75	0.052	41.3	0.026	0.03
Measurement Grid									
Test Position	Height (cm)	% of Control Limit		Test Position	Height (cm)	% of Control Limit		IEEE Controlled Limit	IEEE Uncontrolled Limit
1	20	0.1%		6	120	2.0%		2.70	0.54
2	40	0.1%		7	140	4.3%			
3	60	0.1%		8	160	3.7%			
4	80	1.3%		9	180	2.4%			
5	100	1.5%		10	200	3.8%			
								RF Po (*Max)	
								42.0	

BS-Position 3

Table 123

External Vehicle MPE Assessment @ 823.9875 MHz									
Antenna Location	Antenna Model	Gain (dBi)	Meas. Distance (cm)	E/H Field	Calibration Factor	Average over Body (mW/cm <sup>2</sup> )	Initial Power (W)	Pwr. Density Calc. (mW/cm <sup>2</sup> )	Pwr. Density Max Calc. (mW/cm <sup>2</sup> )
Roof (cnt)	HAF4014A	5.15	60	E	0.74	0.040	41.6	0.020	0.02
Measurement Grid									
Test Position	Height (cm)	% of Control Limit		Test Position	Height (cm)	% of Control Limit		IEEE Controlled Limit	IEEE Uncontrolled Limit
1	20	0.0%		6	120	1.4%		2.75	0.55
2	40	0.1%		7	140	2.9%			
3	60	0.3%		8	160	3.0%			
4	80	0.7%		9	180	2.0%			
5	100	1.1%		10	200	3.0%			
								RF Po (*Max)	
								42.0	

7/800MHz Mobile M20URS9PW1AN

BS-Position 3

Table 124

External Vehicle MPE Assessment @ 851.0125 MHz									
Antenna Location	Antenna Model	Gain (dBi)	Meas. Distance (cm)	E/H Field	Calibration Factor	Average over Body (mW/cm <sup>2</sup> )	Initial Power (W)	Pwr. Density Calc. (mW/cm <sup>2</sup> )	Pwr. Density Max Calc. (mW/cm <sup>2</sup> )
Roof (cnt)	HAF4014A	5.15	60	E	0.73	0.043	41.9	0.022	0.02
Measurement Grid									
Test Position	Height (cm)	% of Control Limit		Test Position	Height (cm)	% of Control Limit		IEEE Controlled Limit	IEEE Uncontrolled Limit
1	20	0.1%		6	120	1.0%		2.84	0.57
2	40	0.1%		7	140	2.3%			
3	60	0.3%		8	160	3.3%			
4	80	0.5%		9	180	2.8%			
5	100	1.0%		10	200	3.9%			
								<b>RF Po (*Max)</b>	42.0

BS-Position 3

Table 125

External Vehicle MPE Assessment @ 859.0125 MHz									
Antenna Location	Antenna Model	Gain (dBi)	Meas. Distance (cm)	E/H Field	Calibration Factor	Average over Body (mW/cm <sup>2</sup> )	Initial Power (W)	Pwr. Density Calc. (mW/cm <sup>2</sup> )	Pwr. Density Max Calc. (mW/cm <sup>2</sup> )
Roof (cnt)	HAF4014A	5.15	60	E	0.72	0.038	41.7	0.019	0.02
Measurement Grid									
Test Position	Height (cm)	% of Control Limit		Test Position	Height (cm)	% of Control Limit		IEEE Controlled Limit	IEEE Uncontrolled Limit
1	20	0.0%		6	120	0.8%		2.86	0.57
2	40	0.1%		7	140	2.2%			
3	60	0.1%		8	160	2.4%			
4	80	0.6%		9	180	2.7%			
5	100	0.6%		10	200	3.8%			
								<b>RF Po (*Max)</b>	42.0

BS-Position 3

Table 126

External Vehicle MPE Assessment @ 868.9875 MHz									
Antenna Location	Antenna Model	Gain (dBi)	Meas. Distance (cm)	E/H Field	Calibration Factor	Average over Body (mW/cm <sup>2</sup> )	Initial Power (W)	Pwr. Density Calc. (mW/cm <sup>2</sup> )	Pwr. Density Max Calc. (mW/cm <sup>2</sup> )
Roof (cnt)	HAF4014A	5.15	60	E	0.71	0.037	41.9	0.019	0.02
Measurement Grid									
Test Position	Height (cm)	% of Control Limit		Test Position	Height (cm)	% of Control Limit		IEEE Controlled Limit	IEEE Uncontrolled Limit
1	20	0.0%		6	120	0.7%		2.90	0.58
2	40	0.0%		7	140	1.7%			
3	60	0.2%		8	160	3.4%			
4	80	0.5%		9	180	3.0%			
5	100	0.6%		10	200	2.7%			
								<b>RF Po (*Max)</b>	42.0

7/800MHz Mobile M20URS9PW1AN

BS-Position 3

Table 127

External Vehicle MPE Assessment @ 764.0875 MHz									
Antenna Location	Antenna Model	Gain (dBi)	Meas. Distance (cm)	E/H Field	Calibration Factor	Average over Body (mW/cm <sup>2</sup> )	Initial Power (W)	Pwr. Density Calc. (mW/cm <sup>2</sup> )	Pwr. Density Max Calc. (mW/cm <sup>2</sup> )
Roof (cnt)	HAF4013A	5.15	60	E	0.78	0.040	36.0	0.020	0.02
Measurement Grid									
Test Position	Height (cm)	% of Control Limit			Test Position	Height (cm)	% of Control Limit		
1	20	0.4%			6	120	1.2%		
2	40	0.7%			7	140	1.8%		
3	60	0.8%			8	160	2.5%		
4	80	1.0%			9	180	2.5%		
5	100	1.1%			10	200	3.8%		
								IEEE Controlled Limit	IEEE Uncontrolled Limit
								2.55	0.51
								<b>RF Po (*Max)</b>	
								36.0	

BS-Position 3

Table 128

External Vehicle MPE Assessment @ 773.0125 MHz									
Antenna Location	Antenna Model	Gain (dBi)	Meas. Distance (cm)	E/H Field	Calibration Factor	Average over Body (mW/cm <sup>2</sup> )	Initial Power (W)	Pwr. Density Calc. (mW/cm <sup>2</sup> )	Pwr. Density Max Calc. (mW/cm <sup>2</sup> )
Roof (cnt)	HAF4013A	5.15	60	E	0.78	0.037	36.0	0.018	0.02
Measurement Grid									
Test Position	Height (cm)	% of Control Limit			Test Position	Height (cm)	% of Control Limit		
1	20	0.6%			6	120	0.9%		
2	40	0.8%			7	140	1.4%		
3	60	0.7%			8	160	2.1%		
4	80	0.7%			9	180	2.6%		
5	100	0.8%			10	200	3.7%		
								IEEE Controlled Limit	IEEE Uncontrolled Limit
								2.58	0.52
								<b>RF Po (*Max)</b>	
								36.0	

BS-Position 3

Table 129

External Vehicle MPE Assessment @ 775.9125 MHz									
Antenna Location	Antenna Model	Gain (dBi)	Meas. Distance (cm)	E/H Field	Calibration Factor	Average over Body (mW/cm <sup>2</sup> )	Initial Power (W)	Pwr. Density Calc. (mW/cm <sup>2</sup> )	Pwr. Density Max Calc. (mW/cm <sup>2</sup> )
Roof (cnt)	HAF4013A	5.15	60	E	0.77	0.045	36.1	0.023	0.02
Measurement Grid									
Test Position	Height (cm)	% of Control Limit			Test Position	Height (cm)	% of Control Limit		
1	20	0.3%			6	120	1.6%		
2	40	0.4%			7	140	1.7%		
3	60	0.8%			8	160	2.8%		
4	80	0.9%			9	180	3.0%		
5	100	1.0%			10	200	4.9%		
								IEEE Controlled Limit	IEEE Uncontrolled Limit
								2.59	0.52
								<b>RF Po (*Max)</b>	
								36.0	

7/800MHz Mobile M20URS9PW1AN

BS-Position 3

Table 130

External Vehicle MPE Assessment @ 794.0875 MHz									
Antenna Location	Antenna Model	Gain (dBi)	Meas. Distance (cm)	E/H Field	Calibration Factor	Average over Body (mW/cm <sup>2</sup> )	Initial Power (W)	Pwr. Density Calc. (mW/cm <sup>2</sup> )	Pwr. Density Max Calc. (mW/cm <sup>2</sup> )
Roof (cnt)	HAF4013A	5.15	60	E	0.76	0.035	37.0	0.017	0.02
Measurement Grid									
Test Position	Height (cm)	% of Control Limit		Test Position	Height (cm)	% of Control Limit		IEEE Controlled Limit	IEEE Uncontrolled Limit
1	20	0.3%		6	120	1.1%		2.65	0.53
2	40	0.4%		7	140	1.8%			
3	60	0.4%		8	160	2.3%			
4	80	0.6%		9	180	2.3%			
5	100	0.7%		10	200	3.3%			
								<b>RF Po (*Max)</b>	
								36.0	

BS-Position 3

Table 131

External Vehicle MPE Assessment @ 809.0125 MHz									
Antenna Location	Antenna Model	Gain (dBi)	Meas. Distance (cm)	E/H Field	Calibration Factor	Average over Body (mW/cm <sup>2</sup> )	Initial Power (W)	Pwr. Density Calc. (mW/cm <sup>2</sup> )	Pwr. Density Max Calc. (mW/cm <sup>2</sup> )
Roof (cnt)	HAF4013A	5.15	60	E	0.75	0.046	41.3	0.023	0.02
Measurement Grid									
Test Position	Height (cm)	% of Control Limit		Test Position	Height (cm)	% of Control Limit		IEEE Controlled Limit	IEEE Uncontrolled Limit
1	20	0.6%		6	120	1.6%		2.70	0.54
2	40	0.7%		7	140	2.6%			
3	60	0.7%		8	160	2.7%			
4	80	0.8%		9	180	2.3%			
5	100	1.0%		10	200	4.0%			
								<b>RF Po (*Max)</b>	
								42.0	

BS-Position 3

Table 132

External Vehicle MPE Assessment @ 823.9875 MHz									
Antenna Location	Antenna Model	Gain (dBi)	Meas. Distance (cm)	E/H Field	Calibration Factor	Average over Body (mW/cm <sup>2</sup> )	Initial Power (W)	Pwr. Density Calc. (mW/cm <sup>2</sup> )	Pwr. Density Max Calc. (mW/cm <sup>2</sup> )
Roof (cnt)	HAF4013A	5.15	60	E	0.74	0.036	41.6	0.018	0.02
Measurement Grid									
Test Position	Height (cm)	% of Control Limit		Test Position	Height (cm)	% of Control Limit		IEEE Controlled Limit	IEEE Uncontrolled Limit
1	20	0.4%		6	120	1.3%		2.75	0.55
2	40	0.3%		7	140	1.6%			
3	60	0.3%		8	160	1.9%			
4	80	0.6%		9	180	2.6%			
5	100	1.2%		10	200	3.0%			
								<b>RF Po (*Max)</b>	
								42.0	

7/800MHz Mobile M20URS9PW1AN

BS-Position 3

Table 133

External Vehicle MPE Assessment @ 851.0125 MHz									
Antenna Location	Antenna Model	Gain (dBi)	Meas. Distance (cm)	E/H Field	Calibration Factor	Average over Body (mW/cm <sup>2</sup> )	Initial Power (W)	Pwr. Density Calc. (mW/cm <sup>2</sup> )	Pwr. Density Max Calc. (mW/cm <sup>2</sup> )
Roof (cnt)	HAF4013A	5.15	60	E	0.73	0.041	41.9	0.020	0.02
Measurement Grid									
Test Position	Height (cm)	% of Control Limit		Test Position	Height (cm)	% of Control Limit		IEEE Controlled Limit	IEEE Uncontrolled Limit
1	20	0.2%		6	120	1.2%		2.84	0.57
2	40	0.4%		7	140	1.5%			
3	60	0.9%		8	160	1.7%			
4	80	1.1%		9	180	2.4%			
5	100	1.2%		10	200	3.8%			
								<b>RF Po (*Max)</b>	
								42.0	

BS-Position 3

Table 134

External Vehicle MPE Assessment @ 859.0125 MHz									
Antenna Location	Antenna Model	Gain (dBi)	Meas. Distance (cm)	E/H Field	Calibration Factor	Average over Body (mW/cm <sup>2</sup> )	Initial Power (W)	Pwr. Density Calc. (mW/cm <sup>2</sup> )	Pwr. Density Max Calc. (mW/cm <sup>2</sup> )
Roof (cnt)	HAF4013A	5.15	60	E	0.72	0.045	41.7	0.023	0.02
Measurement Grid									
Test Position	Height (cm)	% of Control Limit		Test Position	Height (cm)	% of Control Limit		IEEE Controlled Limit	IEEE Uncontrolled Limit
1	20	0.7%		6	120	1.1%		2.86	0.57
2	40	0.3%		7	140	2.1%			
3	60	0.5%		8	160	2.8%			
4	80	0.6%		9	180	2.9%			
5	100	1.0%		10	200	3.8%			
								<b>RF Po (*Max)</b>	
								42.0	

BS-Position 3

Table 135

External Vehicle MPE Assessment @ 868.9875 MHz									
Antenna Location	Antenna Model	Gain (dBi)	Meas. Distance (cm)	E/H Field	Calibration Factor	Average over Body (mW/cm <sup>2</sup> )	Initial Power (W)	Pwr. Density Calc. (mW/cm <sup>2</sup> )	Pwr. Density Max Calc. (mW/cm <sup>2</sup> )
Roof (cnt)	HAF4013A	5.15	60	E	0.71	0.042	41.9	0.021	0.02
Measurement Grid									
Test Position	Height (cm)	% of Control Limit		Test Position	Height (cm)	% of Control Limit		IEEE Controlled Limit	IEEE Uncontrolled Limit
1	20	0.2%		6	120	0.8%		2.90	0.58
2	40	0.4%		7	140	1.8%			
3	60	1.0%		8	160	2.6%			
4	80	0.7%		9	180	2.6%			
5	100	0.8%		10	200	3.6%			
								<b>RF Po (*Max)</b>	
								42.0	



7/800MHz Mobile M20URS9PW1AN

BS-Position 3

Table 136

External Vehicle MPE Assessment @ 764.0875 MHz									
Antenna Location	Antenna Model	Gain (dBi)	Meas. Distance (cm)	E/H Field	Calibration Factor	Average over Body (mW/cm <sup>2</sup> )	Initial Power (W)	Pwr. Density Calc. (mW/cm <sup>2</sup> )	Pwr. Density Max Calc. (mW/cm <sup>2</sup> )
Roof (cnt)	HAF4017A	5.15	60	E	0.78	0.024	36.0	0.012	0.01
Measurement Grid									
Test Position	Height (cm)	% of Control Limit			Test Position	Height (cm)	% of Control Limit		
1	20	0.5%			6	120	0.3%		
2	40	0.1%			7	140	0.9%		
3	60	0.3%			8	160	1.0%		
4	80	0.3%			9	180	2.3%		
5	100	0.3%			10	200	3.4%		
								IEEE Controlled Limit	IEEE Uncontrolled Limit
								2.55	0.51
								<b>RF Po (*Max)</b>	
								36.0	

BS-Position 3

Table 137

External Vehicle MPE Assessment @ 773.0125 MHz									
Antenna Location	Antenna Model	Gain (dBi)	Meas. Distance (cm)	E/H Field	Calibration Factor	Average over Body (mW/cm <sup>2</sup> )	Initial Power (W)	Pwr. Density Calc. (mW/cm <sup>2</sup> )	Pwr. Density Max Calc. (mW/cm <sup>2</sup> )
Roof (cnt)	HAF4017A	5.15	60	E	0.78	0.027	36.0	0.014	0.01
Measurement Grid									
Test Position	Height (cm)	% of Control Limit			Test Position	Height (cm)	% of Control Limit		
1	20	0.4%			6	120	0.7%		
2	40	0.2%			7	140	1.1%		
3	60	0.3%			8	160	1.9%		
4	80	0.4%			9	180	1.8%		
5	100	0.5%			10	200	3.2%		
								IEEE Controlled Limit	IEEE Uncontrolled Limit
								2.58	0.52
								<b>RF Po (*Max)</b>	
								36.0	

BS-Position 3

Table 138

External Vehicle MPE Assessment @ 775.9125 MHz									
Antenna Location	Antenna Model	Gain (dBi)	Meas. Distance (cm)	E/H Field	Calibration Factor	Average over Body (mW/cm <sup>2</sup> )	Initial Power (W)	Pwr. Density Calc. (mW/cm <sup>2</sup> )	Pwr. Density Max Calc. (mW/cm <sup>2</sup> )
Roof (cnt)	HAF4017A	5.15	60	E	0.77	0.028	36.1	0.014	0.01
Measurement Grid									
Test Position	Height (cm)	% of Control Limit			Test Position	Height (cm)	% of Control Limit		
1	20	0.2%			6	120	0.8%		
2	40	0.4%			7	140	1.0%		
3	60	0.4%			8	160	1.8%		
4	80	0.7%			9	180	2.0%		
5	100	0.7%			10	200	2.9%		
								IEEE Controlled Limit	IEEE Uncontrolled Limit
								2.59	0.52
								<b>RF Po (*Max)</b>	
								36.0	

7/800MHz Mobile M20URS9PW1AN

BS-Position 3

Table 139

External Vehicle MPE Assessment @ 794.0875 MHz									
Antenna Location	Antenna Model	Gain (dBi)	Meas. Distance (cm)	E/H Field	Calibration Factor	Average over Body (mW/cm <sup>2</sup> )	Initial Power (W)	Pwr. Density Calc. (mW/cm <sup>2</sup> )	Pwr. Density Max Calc. (mW/cm <sup>2</sup> )
Roof (cnt)	HAF4017A	5.15	60	E	0.76	0.035	37.0	0.018	0.02
Measurement Grid									
Test Position	Height (cm)	% of Control Limit			Test Position	Height (cm)	% of Control Limit		
1	20	0.5%			6	120	1.3%		
2	40	0.2%			7	140	1.4%		
3	60	0.5%			8	160	2.4%		
4	80	0.8%			9	180	2.1%		
5	100	0.9%			10	200	3.3%		
								IEEE Controlled Limit	IEEE Uncontrolled Limit
								2.65	0.53
								<b>RF Po (*Max)</b>	
								36.0	

BS-Position 3

Table 140

External Vehicle MPE Assessment @ 809.0125 MHz									
Antenna Location	Antenna Model	Gain (dBi)	Meas. Distance (cm)	E/H Field	Calibration Factor	Average over Body (mW/cm <sup>2</sup> )	Initial Power (W)	Pwr. Density Calc. (mW/cm <sup>2</sup> )	Pwr. Density Max Calc. (mW/cm <sup>2</sup> )
Roof (cnt)	HAF4017A	5.15	60	E	0.75	0.059	41.3	0.030	0.03
Measurement Grid									
Test Position	Height (cm)	% of Control Limit			Test Position	Height (cm)	% of Control Limit		
1	20	0.8%			6	120	2.0%		
2	40	0.7%			7	140	3.1%		
3	60	0.7%			8	160	3.7%		
4	80	1.1%			9	180	3.9%		
5	100	1.4%			10	200	4.6%		
								IEEE Controlled Limit	IEEE Uncontrolled Limit
								2.70	0.54
								<b>RF Po (*Max)</b>	
								42.0	

BS-Position 3

Table 141

External Vehicle MPE Assessment @ 823.9875 MHz									
Antenna Location	Antenna Model	Gain (dBi)	Meas. Distance (cm)	E/H Field	Calibration Factor	Average over Body (mW/cm <sup>2</sup> )	Initial Power (W)	Pwr. Density Calc. (mW/cm <sup>2</sup> )	Pwr. Density Max Calc. (mW/cm <sup>2</sup> )
Roof (cnt)	HAF4017A	5.15	60	E	0.74	0.054	41.6	0.027	0.03
Measurement Grid									
Test Position	Height (cm)	% of Control Limit			Test Position	Height (cm)	% of Control Limit		
1	20	0.8%			6	120	2.2%		
2	40	0.7%			7	140	3.4%		
3	60	0.7%			8	160	2.8%		
4	80	1.0%			9	180	3.0%		
5	100	1.6%			10	200	3.4%		
								IEEE Controlled Limit	IEEE Uncontrolled Limit
								2.75	0.55
								<b>RF Po (*Max)</b>	
								42.0	

7/800MHz Mobile M20URS9PW1AN

BS-Position 3

Table 142

External Vehicle MPE Assessment @ 851.0125 MHz									
Antenna Location	Antenna Model	Gain (dBi)	Meas. Distance (cm)	E/H Field	Calibration Factor	Average over Body (mW/cm <sup>2</sup> )	Initial Power (W)	Pwr. Density Calc. (mW/cm <sup>2</sup> )	Pwr. Density Max Calc. (mW/cm <sup>2</sup> )
Roof (cnt)	HAF4017A	5.15	60	E	0.73	0.068	41.9	0.034	0.03
Measurement Grid									
Test Position	Height (cm)	% of Control Limit		Test Position	Height (cm)	% of Control Limit		IEEE Controlled Limit	IEEE Uncontrolled Limit
1	20	0.8%		6	120	2.2%		2.84	0.57
2	40	1.0%		7	140	4.1%			
3	60	1.2%		8	160	4.8%			
4	80	1.5%		9	180	4.1%			
5	100	1.4%		10	200	2.9%			
								<b>RF Po (*Max)</b>	42.0

BS-Position 3

Table 143

External Vehicle MPE Assessment @ 859.0125 MHz									
Antenna Location	Antenna Model	Gain (dBi)	Meas. Distance (cm)	E/H Field	Calibration Factor	Average over Body (mW/cm <sup>2</sup> )	Initial Power (W)	Pwr. Density Calc. (mW/cm <sup>2</sup> )	Pwr. Density Max Calc. (mW/cm <sup>2</sup> )
Roof (cnt)	HAF4017A	5.15	60	E	0.72	0.058	41.7	0.029	0.03
Measurement Grid									
Test Position	Height (cm)	% of Control Limit		Test Position	Height (cm)	% of Control Limit		IEEE Controlled Limit	IEEE Uncontrolled Limit
1	20	0.9%		6	120	1.8%		2.86	0.57
2	40	0.8%		7	140	2.5%			
3	60	1.3%		8	160	3.7%			
4	80	1.2%		9	180	3.7%			
5	100	1.6%		10	200	2.9%			
								<b>RF Po (*Max)</b>	42.0

BS-Position 3

Table 144

External Vehicle MPE Assessment @ 868.9875 MHz									
Antenna Location	Antenna Model	Gain (dBi)	Meas. Distance (cm)	E/H Field	Calibration Factor	Average over Body (mW/cm <sup>2</sup> )	Initial Power (W)	Pwr. Density Calc. (mW/cm <sup>2</sup> )	Pwr. Density Max Calc. (mW/cm <sup>2</sup> )
Roof (cnt)	HAF4017A	5.15	60	E	0.71	0.054	41.9	0.027	0.03
Measurement Grid									
Test Position	Height (cm)	% of Control Limit		Test Position	Height (cm)	% of Control Limit		IEEE Controlled Limit	IEEE Uncontrolled Limit
1	20	0.4%		6	120	1.7%		2.90	0.58
2	40	0.5%		7	140	3.3%			
3	60	0.8%		8	160	3.9%			
4	80	1.0%		9	180	3.2%			
5	100	1.1%		10	200	2.9%			
								<b>RF Po (*Max)</b>	42.0

7/800MHz Mobile M20URS9PW1AN

BS-Position 4

Table 145

External Vehicle MPE Assessment @ 764.0875 MHz									
Antenna Location	Antenna Model	Gain (dBi)	Meas. Distance (cm)	E/H Field	Calibration Factor	Average over Body (mW/cm <sup>2</sup> )	Initial Power (W)	Pwr. Density Calc. (mW/cm <sup>2</sup> )	Pwr. Density Max Calc. (mW/cm <sup>2</sup> )
Roof (cnt)	HAF4016A	2.15	60	E	0.78	0.032	36.0	0.016	0.02
Measurement Grid									
Test Position	Height (cm)	% of Control Limit			Test Position	Height (cm)	% of Control Limit		
1	20	1.5%			6	120	0.7%		
2	40	0.4%			7	140	1.2%		
3	60	0.3%			8	160	2.1%		
4	80	0.8%			9	180	2.4%		
5	100	0.6%			10	200	2.6%		
								IEEE Controlled Limit	IEEE Uncontrolled Limit
								2.55	0.51
								<b>RF Po (*Max)</b>	
								36.0	

BS-Position 4

Table 146

External Vehicle MPE Assessment @ 773.0125 MHz									
Antenna Location	Antenna Model	Gain (dBi)	Meas. Distance (cm)	E/H Field	Calibration Factor	Average over Body (mW/cm <sup>2</sup> )	Initial Power (W)	Pwr. Density Calc. (mW/cm <sup>2</sup> )	Pwr. Density Max Calc. (mW/cm <sup>2</sup> )
Roof (cnt)	HAF4016A	2.15	60	E	0.78	0.039	36.0	0.019	0.02
Measurement Grid									
Test Position	Height (cm)	% of Control Limit			Test Position	Height (cm)	% of Control Limit		
1	20	1.6%			6	120	1.0%		
2	40	0.4%			7	140	1.1%		
3	60	1.1%			8	160	2.4%		
4	80	1.1%			9	180	2.6%		
5	100	1.0%			10	200	2.8%		
								IEEE Controlled Limit	IEEE Uncontrolled Limit
								2.58	0.52
								<b>RF Po (*Max)</b>	
								36.0	

BS-Position 4

Table 147

External Vehicle MPE Assessment @ 775.9125 MHz									
Antenna Location	Antenna Model	Gain (dBi)	Meas. Distance (cm)	E/H Field	Calibration Factor	Average over Body (mW/cm <sup>2</sup> )	Initial Power (W)	Pwr. Density Calc. (mW/cm <sup>2</sup> )	Pwr. Density Max Calc. (mW/cm <sup>2</sup> )
Roof (cnt)	HAF4016A	2.15	60	E	0.77	0.034	36.1	0.017	0.02
Measurement Grid									
Test Position	Height (cm)	% of Control Limit			Test Position	Height (cm)	% of Control Limit		
1	20	0.8%			6	120	1.1%		
2	40	0.3%			7	140	1.1%		
3	60	0.4%			8	160	2.2%		
4	80	0.7%			9	180	3.2%		
5	100	0.9%			10	200	2.5%		
								IEEE Controlled Limit	IEEE Uncontrolled Limit
								2.59	0.52
								<b>RF Po (*Max)</b>	
								36.0	

7/800MHz Mobile M20URS9PW1AN

BS-Position 4

Table 148

External Vehicle MPE Assessment @ 794.0875 MHz									
Antenna Location	Antenna Model	Gain (dBi)	Meas. Distance (cm)	E/H Field	Calibration Factor	Average over Body (mW/cm <sup>2</sup> )	Initial Power (W)	Pwr. Density Calc. (mW/cm <sup>2</sup> )	Pwr. Density Max Calc. (mW/cm <sup>2</sup> )
Roof (cnt)	HAF4016A	2.15	60	E	0.76	0.029	37.0	0.015	0.01
Measurement Grid									
Test Position	Height (cm)	% of Control Limit			Test Position	Height (cm)	% of Control Limit		
1	20	0.1%			6	120	1.3%		
2	40	0.2%			7	140	1.0%		
3	60	0.8%			8	160	1.6%		
4	80	0.7%			9	180	2.2%		
5	100	1.0%			10	200	2.1%		
								IEEE Controlled Limit	IEEE Uncontrolled Limit
								2.65	0.53
								<b>RF Po (*Max)</b>	
								36.0	

BS-Position 4

Table 149

External Vehicle MPE Assessment @ 809.0125 MHz									
Antenna Location	Antenna Model	Gain (dBi)	Meas. Distance (cm)	E/H Field	Calibration Factor	Average over Body (mW/cm <sup>2</sup> )	Initial Power (W)	Pwr. Density Calc. (mW/cm <sup>2</sup> )	Pwr. Density Max Calc. (mW/cm <sup>2</sup> )
Roof (cnt)	HAF4016A	2.15	60	E	0.75	0.036	41.3	0.018	0.02
Measurement Grid									
Test Position	Height (cm)	% of Control Limit			Test Position	Height (cm)	% of Control Limit		
1	20	0.3%			6	120	1.4%		
2	40	0.3%			7	140	1.3%		
3	60	0.4%			8	160	1.5%		
4	80	0.9%			9	180	2.9%		
5	100	1.0%			10	200	3.2%		
								IEEE Controlled Limit	IEEE Uncontrolled Limit
								2.70	0.54
								<b>RF Po (*Max)</b>	
								42.0	

BS-Position 4

Table 150

External Vehicle MPE Assessment @ 823.9875 MHz									
Antenna Location	Antenna Model	Gain (dBi)	Meas. Distance (cm)	E/H Field	Calibration Factor	Average over Body (mW/cm <sup>2</sup> )	Initial Power (W)	Pwr. Density Calc. (mW/cm <sup>2</sup> )	Pwr. Density Max Calc. (mW/cm <sup>2</sup> )
Roof (cnt)	HAF4016A	2.15	60	E	0.74	0.035	41.6	0.018	0.02
Measurement Grid									
Test Position	Height (cm)	% of Control Limit			Test Position	Height (cm)	% of Control Limit		
1	20	0.7%			6	120	1.2%		
2	40	0.6%			7	140	1.3%		
3	60	0.6%			8	160	1.7%		
4	80	0.8%			9	180	2.1%		
5	100	1.2%			10	200	2.7%		
								IEEE Controlled Limit	IEEE Uncontrolled Limit
								2.75	0.55
								<b>RF Po (*Max)</b>	
								42.0	

7/800MHz Mobile M20URS9PW1AN

BS-Position 4

Table 151

External Vehicle MPE Assessment @ 851.0125 MHz									
Antenna Location	Antenna Model	Gain (dBi)	Meas. Distance (cm)	E/H Field	Calibration Factor	Average over Body (mW/cm <sup>2</sup> )	Initial Power (W)	Pwr. Density Calc. (mW/cm <sup>2</sup> )	Pwr. Density Max Calc. (mW/cm <sup>2</sup> )
Roof (cnt)	HAF4016A	2.15	60	E	0.73	0.037	41.9	0.019	0.02
Measurement Grid									
Test Position	Height (cm)	% of Control Limit		Test Position	Height (cm)	% of Control Limit		IEEE Controlled Limit	IEEE Uncontrolled Limit
1	20	0.9%		6	120	1.4%		2.84	0.57
2	40	0.5%		7	140	1.3%			
3	60	0.5%		8	160	2.0%			
4	80	1.1%		9	180	2.0%			
5	100	1.0%		10	200	2.4%			
								<b>RF Po (*Max)</b>	42.0

BS-Position 4

Table 152

External Vehicle MPE Assessment @ 859.0125 MHz									
Antenna Location	Antenna Model	Gain (dBi)	Meas. Distance (cm)	E/H Field	Calibration Factor	Average over Body (mW/cm <sup>2</sup> )	Initial Power (W)	Pwr. Density Calc. (mW/cm <sup>2</sup> )	Pwr. Density Max Calc. (mW/cm <sup>2</sup> )
Roof (cnt)	HAF4016A	2.15	60	E	0.72	0.037	41.7	0.018	0.02
Measurement Grid									
Test Position	Height (cm)	% of Control Limit		Test Position	Height (cm)	% of Control Limit		IEEE Controlled Limit	IEEE Uncontrolled Limit
1	20	0.8%		6	120	1.0%		2.86	0.57
2	40	0.6%		7	140	1.3%			
3	60	0.6%		8	160	1.4%			
4	80	0.9%		9	180	2.3%			
5	100	1.0%		10	200	3.0%			
								<b>RF Po (*Max)</b>	42.0

BS-Position 4

Table 153

External Vehicle MPE Assessment @ 868.9875 MHz									
Antenna Location	Antenna Model	Gain (dBi)	Meas. Distance (cm)	E/H Field	Calibration Factor	Average over Body (mW/cm <sup>2</sup> )	Initial Power (W)	Pwr. Density Calc. (mW/cm <sup>2</sup> )	Pwr. Density Max Calc. (mW/cm <sup>2</sup> )
Roof (cnt)	HAF4016A	2.15	60	E	0.71	0.039	41.9	0.019	0.02
Measurement Grid									
Test Position	Height (cm)	% of Control Limit		Test Position	Height (cm)	% of Control Limit		IEEE Controlled Limit	IEEE Uncontrolled Limit
1	20	0.8%		6	120	1.0%		2.90	0.58
2	40	0.3%		7	140	1.2%			
3	60	0.8%		8	160	1.9%			
4	80	1.0%		9	180	2.3%			
5	100	1.1%		10	200	3.0%			
								<b>RF Po (*Max)</b>	42.0

7/800MHz Mobile M20URS9PW1AN

BS-Position 4

Table 154

External Vehicle MPE Assessment @ 764.0875 MHz									
Antenna Location	Antenna Model	Gain (dBi)	Meas. Distance (cm)	E/H Field	Calibration Factor	Average over Body (mW/cm <sup>2</sup> )	Initial Power (W)	Pwr. Density Calc. (mW/cm <sup>2</sup> )	Pwr. Density Max Calc. (mW/cm <sup>2</sup> )
Roof (cnt)	HAF4014A	5.15	60	E	0.78	0.051	36.0	0.026	0.03
Measurement Grid									
Test Position	Height (cm)	% of Control Limit		Test Position	Height (cm)	% of Control Limit		IEEE Controlled Limit	IEEE Uncontrolled Limit
1	20	0.9%		6	120	1.6%		2.55	0.51
2	40	0.8%		7	140	2.2%			
3	60	0.7%		8	160	3.9%			
4	80	1.4%		9	180	4.2%			
5	100	1.5%		10	200	2.9%			
								RF Po (*Max)	36.0

BS-Position 4

Table 155

External Vehicle MPE Assessment @ 773.0125 MHz									
Antenna Location	Antenna Model	Gain (dBi)	Meas. Distance (cm)	E/H Field	Calibration Factor	Average over Body (mW/cm <sup>2</sup> )	Initial Power (W)	Pwr. Density Calc. (mW/cm <sup>2</sup> )	Pwr. Density Max Calc. (mW/cm <sup>2</sup> )
Roof (cnt)	HAF4014A	5.15	60	E	0.78	0.056	36.0	0.028	0.03
Measurement Grid									
Test Position	Height (cm)	% of Control Limit		Test Position	Height (cm)	% of Control Limit		IEEE Controlled Limit	IEEE Uncontrolled Limit
1	20	1.1%		6	120	2.3%		2.58	0.52
2	40	0.6%		7	140	2.6%			
3	60	1.0%		8	160	3.4%			
4	80	1.6%		9	180	4.1%			
5	100	1.9%		10	200	3.2%			
								RF Po (*Max)	36.0

BS-Position 4

Table 156

External Vehicle MPE Assessment @ 775.9125 MHz									
Antenna Location	Antenna Model	Gain (dBi)	Meas. Distance (cm)	E/H Field	Calibration Factor	Average over Body (mW/cm <sup>2</sup> )	Initial Power (W)	Pwr. Density Calc. (mW/cm <sup>2</sup> )	Pwr. Density Max Calc. (mW/cm <sup>2</sup> )
Roof (cnt)	HAF4014A	5.15	60	E	0.77	0.054	36.1	0.027	0.03
Measurement Grid									
Test Position	Height (cm)	% of Control Limit		Test Position	Height (cm)	% of Control Limit		IEEE Controlled Limit	IEEE Uncontrolled Limit
1	20	1.1%		6	120	2.1%		2.59	0.52
2	40	0.9%		7	140	2.5%			
3	60	1.1%		8	160	2.6%			
4	80	1.4%		9	180	3.8%			
5	100	1.9%		10	200	3.3%			
								RF Po (*Max)	36.0

7/800MHz Mobile M20URS9PW1AN

BS-Position 4

Table 157

External Vehicle MPE Assessment @ 794.0875 MHz									
Antenna Location	Antenna Model	Gain (dBi)	Meas. Distance (cm)	E/H Field	Calibration Factor	Average over Body (mW/cm <sup>2</sup> )	Initial Power (W)	Pwr. Density Calc. (mW/cm <sup>2</sup> )	Pwr. Density Max Calc. (mW/cm <sup>2</sup> )
Roof (cnt)	HAF4014A	5.15	60	E	0.76	0.047	37.0	0.024	0.02
Measurement Grid									
Test Position	Height (cm)	% of Control Limit		Test Position	Height (cm)	% of Control Limit		IEEE Controlled Limit	IEEE Uncontrolled Limit
1	20	0.9%		6	120	2.0%		2.65	0.53
2	40	0.8%		7	140	2.2%			
3	60	0.9%		8	160	2.6%			
4	80	1.2%		9	180	2.9%			
5	100	1.7%		10	200	2.6%			
								<b>RF Po (*Max)</b>	36.0

BS-Position 4

Table 158

External Vehicle MPE Assessment @ 809.0125 MHz									
Antenna Location	Antenna Model	Gain (dBi)	Meas. Distance (cm)	E/H Field	Calibration Factor	Average over Body (mW/cm <sup>2</sup> )	Initial Power (W)	Pwr. Density Calc. (mW/cm <sup>2</sup> )	Pwr. Density Max Calc. (mW/cm <sup>2</sup> )
Roof (cnt)	HAF4014A	5.15	60	E	0.75	0.057	41.3	0.029	0.03
Measurement Grid									
Test Position	Height (cm)	% of Control Limit		Test Position	Height (cm)	% of Control Limit		IEEE Controlled Limit	IEEE Uncontrolled Limit
1	20	0.9%		6	120	2.0%		2.70	0.54
2	40	1.2%		7	140	2.1%			
3	60	1.2%		8	160	3.4%			
4	80	1.3%		9	180	3.7%			
5	100	2.1%		10	200	3.3%			
								<b>RF Po (*Max)</b>	42.0

BS-Position 4

Table 159

External Vehicle MPE Assessment @ 823.9875 MHz									
Antenna Location	Antenna Model	Gain (dBi)	Meas. Distance (cm)	E/H Field	Calibration Factor	Average over Body (mW/cm <sup>2</sup> )	Initial Power (W)	Pwr. Density Calc. (mW/cm <sup>2</sup> )	Pwr. Density Max Calc. (mW/cm <sup>2</sup> )
Roof (cnt)	HAF4014A	5.15	60	E	0.74	0.053	41.6	0.027	0.03
Measurement Grid									
Test Position	Height (cm)	% of Control Limit		Test Position	Height (cm)	% of Control Limit		IEEE Controlled Limit	IEEE Uncontrolled Limit
1	20	0.5%		6	120	2.2%		2.75	0.55
2	40	0.4%		7	140	2.6%			
3	60	0.4%		8	160	2.8%			
4	80	1.4%		9	180	3.5%			
5	100	2.0%		10	200	3.5%			
								<b>RF Po (*Max)</b>	42.0



7/800MHz Mobile M20URS9PW1AN

BS-Position 4

Table 160

External Vehicle MPE Assessment @ 851.0125 MHz									
Antenna Location	Antenna Model	Gain (dBi)	Meas. Distance (cm)	E/H Field	Calibration Factor	Average over Body (mW/cm <sup>2</sup> )	Initial Power (W)	Pwr. Density Calc. (mW/cm <sup>2</sup> )	Pwr. Density Max Calc. (mW/cm <sup>2</sup> )
Roof (cnt)	HAF4014A	5.15	60	E	0.73	0.044	41.9	0.022	0.02
Measurement Grid									
Test Position	Height (cm)	% of Control Limit		Test Position	Height (cm)	% of Control Limit		IEEE Controlled Limit	IEEE Uncontrolled Limit
1	20	1.0%		6	120	1.3%		2.84	0.57
2	40	0.3%		7	140	1.7%			
3	60	0.4%		8	160	2.8%			
4	80	0.8%		9	180	2.9%			
5	100	1.0%		10	200	3.4%			
								<b>RF Po (*Max)</b>	42.0

BS-Position 4

Table 161

External Vehicle MPE Assessment @ 859.0125 MHz									
Antenna Location	Antenna Model	Gain (dBi)	Meas. Distance (cm)	E/H Field	Calibration Factor	Average over Body (mW/cm <sup>2</sup> )	Initial Power (W)	Pwr. Density Calc. (mW/cm <sup>2</sup> )	Pwr. Density Max Calc. (mW/cm <sup>2</sup> )
Roof (cnt)	HAF4014A	5.15	60	E	0.72	0.040	41.7	0.020	0.02
Measurement Grid									
Test Position	Height (cm)	% of Control Limit		Test Position	Height (cm)	% of Control Limit		IEEE Controlled Limit	IEEE Uncontrolled Limit
1	20	0.6%		6	120	1.4%		2.86	0.57
2	40	0.3%		7	140	1.7%			
3	60	0.5%		8	160	2.1%			
4	80	0.8%		9	180	2.5%			
5	100	1.2%		10	200	2.9%			
								<b>RF Po (*Max)</b>	42.0

BS-Position 4

Table 162

External Vehicle MPE Assessment @ 868.9875 MHz									
Antenna Location	Antenna Model	Gain (dBi)	Meas. Distance (cm)	E/H Field	Calibration Factor	Average over Body (mW/cm <sup>2</sup> )	Initial Power (W)	Pwr. Density Calc. (mW/cm <sup>2</sup> )	Pwr. Density Max Calc. (mW/cm <sup>2</sup> )
Roof (cnt)	HAF4014A	5.15	60	E	0.71	0.040	41.9	0.020	0.02
Measurement Grid									
Test Position	Height (cm)	% of Control Limit		Test Position	Height (cm)	% of Control Limit		IEEE Controlled Limit	IEEE Uncontrolled Limit
1	20	0.5%		6	120	1.4%		2.90	0.58
2	40	0.3%		7	140	1.6%			
3	60	0.4%		8	160	2.4%			
4	80	1.1%		9	180	2.5%			
5	100	1.3%		10	200	2.4%			
								<b>RF Po (*Max)</b>	42.0

7/800MHz Mobile M20URS9PW1AN

BS-Position 4

Table 163

External Vehicle MPE Assessment @ 764.0875 MHz									
Antenna Location	Antenna Model	Gain (dBi)	Meas. Distance (cm)	E/H Field	Calibration Factor	Average over Body (mW/cm <sup>2</sup> )	Initial Power (W)	Pwr. Density Calc. (mW/cm <sup>2</sup> )	Pwr. Density Max Calc. (mW/cm <sup>2</sup> )
Roof (cnt)	HAF4013A	5.15	60	E	0.78	0.039	36.0	0.019	0.02
Measurement Grid									
Test Position	Height (cm)	% of Control Limit			Test Position	Height (cm)	% of Control Limit		
1	20	0.8%			6	120	1.2%		
2	40	0.3%			7	140	1.6%		
3	60	0.6%			8	160	2.6%		
4	80	0.9%			9	180	3.2%		
5	100	0.9%			10	200	3.1%		
								IEEE Controlled Limit	IEEE Uncontrolled Limit
								2.55	0.51
								<b>RF Po (*Max)</b>	
								36.0	

BS-Position 4

Table 164

External Vehicle MPE Assessment @ 773.0125 MHz									
Antenna Location	Antenna Model	Gain (dBi)	Meas. Distance (cm)	E/H Field	Calibration Factor	Average over Body (mW/cm <sup>2</sup> )	Initial Power (W)	Pwr. Density Calc. (mW/cm <sup>2</sup> )	Pwr. Density Max Calc. (mW/cm <sup>2</sup> )
Roof (cnt)	HAF4013A	5.15	60	E	0.78	0.035	36.0	0.018	0.02
Measurement Grid									
Test Position	Height (cm)	% of Control Limit			Test Position	Height (cm)	% of Control Limit		
1	20	0.8%			6	120	1.3%		
2	40	0.3%			7	140	1.4%		
3	60	0.3%			8	160	1.8%		
4	80	1.0%			9	180	2.5%		
5	100	1.1%			10	200	3.1%		
								IEEE Controlled Limit	IEEE Uncontrolled Limit
								2.58	0.52
								<b>RF Po (*Max)</b>	
								36.0	

BS-Position 4

Table 165

External Vehicle MPE Assessment @ 775.9125 MHz									
Antenna Location	Antenna Model	Gain (dBi)	Meas. Distance (cm)	E/H Field	Calibration Factor	Average over Body (mW/cm <sup>2</sup> )	Initial Power (W)	Pwr. Density Calc. (mW/cm <sup>2</sup> )	Pwr. Density Max Calc. (mW/cm <sup>2</sup> )
Roof (cnt)	HAF4013A	5.15	60	E	0.77	0.043	36.1	0.022	0.02
Measurement Grid									
Test Position	Height (cm)	% of Control Limit			Test Position	Height (cm)	% of Control Limit		
1	20	0.9%			6	120	1.8%		
2	40	0.4%			7	140	1.8%		
3	60	0.6%			8	160	2.4%		
4	80	0.9%			9	180	2.9%		
5	100	1.2%			10	200	3.9%		
								IEEE Controlled Limit	IEEE Uncontrolled Limit
								2.59	0.52
								<b>RF Po (*Max)</b>	
								36.0	

7/800MHz Mobile M20URS9PW1AN

BS-Position 4

Table 166

External Vehicle MPE Assessment @ 794.0875 MHz									
Antenna Location	Antenna Model	Gain (dBi)	Meas. Distance (cm)	E/H Field	Calibration Factor	Average over Body (mW/cm <sup>2</sup> )	Initial Power (W)	Pwr. Density Calc. (mW/cm <sup>2</sup> )	Pwr. Density Max Calc. (mW/cm <sup>2</sup> )
Roof (cnt)	HAF4013A	5.15	60	E	0.76	0.039	37.0	0.019	0.02
Measurement Grid									
Test Position	Height (cm)	% of Control Limit		Test Position	Height (cm)	% of Control Limit		IEEE Controlled Limit	IEEE Uncontrolled Limit
1	20	0.4%		6	120	1.4%		2.65	0.53
2	40	0.6%		7	140	1.6%			
3	60	0.7%		8	160	1.7%			
4	80	0.6%		9	180	2.4%			
5	100	1.2%		10	200	4.0%			
								<b>RF Po (*Max)</b>	36.0

BS-Position 4

Table 167

External Vehicle MPE Assessment @ 809.0125 MHz									
Antenna Location	Antenna Model	Gain (dBi)	Meas. Distance (cm)	E/H Field	Calibration Factor	Average over Body (mW/cm <sup>2</sup> )	Initial Power (W)	Pwr. Density Calc. (mW/cm <sup>2</sup> )	Pwr. Density Max Calc. (mW/cm <sup>2</sup> )
Roof (cnt)	HAF4013A	5.15	60	E	0.75	0.034	41.3	0.017	0.02
Measurement Grid									
Test Position	Height (cm)	% of Control Limit		Test Position	Height (cm)	% of Control Limit		IEEE Controlled Limit	IEEE Uncontrolled Limit
1	20	0.4%		6	120	1.1%		2.70	0.54
2	40	0.3%		7	140	1.1%			
3	60	0.6%		8	160	1.4%			
4	80	1.0%		9	180	2.6%			
5	100	1.0%		10	200	3.2%			
								<b>RF Po (*Max)</b>	42.0

BS-Position 4

Table 168

External Vehicle MPE Assessment @ 823.9875 MHz									
Antenna Location	Antenna Model	Gain (dBi)	Meas. Distance (cm)	E/H Field	Calibration Factor	Average over Body (mW/cm <sup>2</sup> )	Initial Power (W)	Pwr. Density Calc. (mW/cm <sup>2</sup> )	Pwr. Density Max Calc. (mW/cm <sup>2</sup> )
Roof (cnt)	HAF4013A	5.15	60	E	0.74	0.039	41.6	0.019	0.02
Measurement Grid									
Test Position	Height (cm)	% of Control Limit		Test Position	Height (cm)	% of Control Limit		IEEE Controlled Limit	IEEE Uncontrolled Limit
1	20	0.9%		6	120	1.4%		2.75	0.55
2	40	0.2%		7	140	1.4%			
3	60	0.5%		8	160	1.9%			
4	80	0.8%		9	180	2.8%			
5	100	1.2%		10	200	3.0%			
								<b>RF Po (*Max)</b>	42.0

7/800MHz Mobile M20URS9PW1AN

BS-Position 4

Table 169

External Vehicle MPE Assessment @ 851.0125 MHz									
Antenna Location	Antenna Model	Gain (dBi)	Meas. Distance (cm)	E/H Field	Calibration Factor	Average over Body (mW/cm <sup>2</sup> )	Initial Power (W)	Pwr. Density Calc. (mW/cm <sup>2</sup> )	Pwr. Density Max Calc. (mW/cm <sup>2</sup> )
Roof (cnt)	HAF4013A	5.15	60	E	0.73	0.038	41.9	0.019	0.02
Measurement Grid									
Test Position	Height (cm)	% of Control Limit			Test Position	Height (cm)	% of Control Limit		
1	20	0.7%			6	120	1.3%		
2	40	0.3%			7	140	1.3%		
3	60	0.5%			8	160	1.6%		
4	80	0.6%			9	180	2.5%		
5	100	1.2%			10	200	3.5%		
								IEEE Controlled Limit	IEEE Uncontrolled Limit
								2.84	0.57
								RF Po (*Max)	
								42.0	

BS-Position 4

Table 170

External Vehicle MPE Assessment @ 859.0125 MHz									
Antenna Location	Antenna Model	Gain (dBi)	Meas. Distance (cm)	E/H Field	Calibration Factor	Average over Body (mW/cm <sup>2</sup> )	Initial Power (W)	Pwr. Density Calc. (mW/cm <sup>2</sup> )	Pwr. Density Max Calc. (mW/cm <sup>2</sup> )
Roof (cnt)	HAF4013A	5.15	60	E	0.72	0.042	41.7	0.021	0.02
Measurement Grid									
Test Position	Height (cm)	% of Control Limit			Test Position	Height (cm)	% of Control Limit		
1	20	0.8%			6	120	1.5%		
2	40	0.5%			7	140	1.5%		
3	60	0.6%			8	160	1.7%		
4	80	1.0%			9	180	2.2%		
5	100	1.1%			10	200	3.6%		
								IEEE Controlled Limit	IEEE Uncontrolled Limit
								2.86	0.57
								RF Po (*Max)	
								42.0	

BS-Position 4

Table 171

External Vehicle MPE Assessment @ 868.9875 MHz									
Antenna Location	Antenna Model	Gain (dBi)	Meas. Distance (cm)	E/H Field	Calibration Factor	Average over Body (mW/cm <sup>2</sup> )	Initial Power (W)	Pwr. Density Calc. (mW/cm <sup>2</sup> )	Pwr. Density Max Calc. (mW/cm <sup>2</sup> )
Roof (cnt)	HAF4013A	5.15	60	E	0.71	0.039	41.9	0.019	0.02
Measurement Grid									
Test Position	Height (cm)	% of Control Limit			Test Position	Height (cm)	% of Control Limit		
1	20	0.7%			6	120	1.0%		
2	40	0.7%			7	140	1.1%		
3	60	0.6%			8	160	1.8%		
4	80	0.9%			9	180	2.3%		
5	100	0.9%			10	200	3.3%		
								IEEE Controlled Limit	IEEE Uncontrolled Limit
								2.90	0.58
								RF Po (*Max)	
								42.0	

7/800MHz Mobile M20URS9PW1AN

BS-Position 4

Table 172

External Vehicle MPE Assessment @ 764.0875 MHz									
Antenna Location	Antenna Model	Gain (dBi)	Meas. Distance (cm)	E/H Field	Calibration Factor	Average over Body (mW/cm <sup>2</sup> )	Initial Power (W)	Pwr. Density Calc. (mW/cm <sup>2</sup> )	Pwr. Density Max Calc. (mW/cm <sup>2</sup> )
Roof (cnt)	HAF4017A	5.15	60	E	0.78	0.027	36.0	0.013	0.01
Measurement Grid									
Test Position	Height (cm)	% of Control Limit			Test Position	Height (cm)	% of Control Limit		
1	20	0.9%			6	120	0.8%		
2	40	0.2%			7	140	1.0%		
3	60	0.3%			8	160	1.2%		
4	80	0.3%			9	180	2.4%		
5	100	0.3%			10	200	3.2%		
								IEEE Controlled Limit	IEEE Uncontrolled Limit
								2.55	0.51
								<b>RF Po (*Max)</b>	
								36.0	

BS-Position 4

Table 173

External Vehicle MPE Assessment @ 773.0125 MHz									
Antenna Location	Antenna Model	Gain (dBi)	Meas. Distance (cm)	E/H Field	Calibration Factor	Average over Body (mW/cm <sup>2</sup> )	Initial Power (W)	Pwr. Density Calc. (mW/cm <sup>2</sup> )	Pwr. Density Max Calc. (mW/cm <sup>2</sup> )
Roof (cnt)	HAF4017A	5.15	60	E	0.78	0.030	36.0	0.015	0.02
Measurement Grid									
Test Position	Height (cm)	% of Control Limit			Test Position	Height (cm)	% of Control Limit		
1	20	0.6%			6	120	1.2%		
2	40	0.2%			7	140	1.6%		
3	60	0.5%			8	160	1.6%		
4	80	0.6%			9	180	1.8%		
5	100	0.6%			10	200	3.1%		
								IEEE Controlled Limit	IEEE Uncontrolled Limit
								2.58	0.52
								<b>RF Po (*Max)</b>	
								36.0	

BS-Position 4

Table 174

External Vehicle MPE Assessment @ 775.9125 MHz									
Antenna Location	Antenna Model	Gain (dBi)	Meas. Distance (cm)	E/H Field	Calibration Factor	Average over Body (mW/cm <sup>2</sup> )	Initial Power (W)	Pwr. Density Calc. (mW/cm <sup>2</sup> )	Pwr. Density Max Calc. (mW/cm <sup>2</sup> )
Roof (cnt)	HAF4017A	5.15	60	E	0.77	0.028	36.1	0.014	0.01
Measurement Grid									
Test Position	Height (cm)	% of Control Limit			Test Position	Height (cm)	% of Control Limit		
1	20	0.6%			6	120	0.7%		
2	40	0.2%			7	140	1.0%		
3	60	0.5%			8	160	1.3%		
4	80	0.6%			9	180	2.4%		
5	100	0.6%			10	200	2.8%		
								IEEE Controlled Limit	IEEE Uncontrolled Limit
								2.59	0.52
								<b>RF Po (*Max)</b>	
								36.0	

7/800MHz Mobile M20URS9PW1AN

BS-Position 4

Table 175

External Vehicle MPE Assessment @ 794.0875 MHz									
Antenna Location	Antenna Model	Gain (dBi)	Meas. Distance (cm)	E/H Field	Calibration Factor	Average over Body (mW/cm <sup>2</sup> )	Initial Power (W)	Pwr. Density Calc. (mW/cm <sup>2</sup> )	Pwr. Density Max Calc. (mW/cm <sup>2</sup> )
Roof (cnt)	HAF4017A	5.15	60	E	0.76	0.038	37.0	0.019	0.02
Measurement Grid									
Test Position	Height (cm)	% of Control Limit		Test Position	Height (cm)	% of Control Limit		IEEE Controlled Limit	IEEE Uncontrolled Limit
1	20	0.4%		6	120	1.4%		2.65	0.53
2	40	0.6%		7	140	1.8%			
3	60	1.0%		8	160	1.9%			
4	80	1.1%		9	180	2.3%			
5	100	1.2%		10	200	2.8%			
								<b>RF Po (*Max)</b>	36.0

BS-Position 4

Table 176

External Vehicle MPE Assessment @ 809.0125 MHz									
Antenna Location	Antenna Model	Gain (dBi)	Meas. Distance (cm)	E/H Field	Calibration Factor	Average over Body (mW/cm <sup>2</sup> )	Initial Power (W)	Pwr. Density Calc. (mW/cm <sup>2</sup> )	Pwr. Density Max Calc. (mW/cm <sup>2</sup> )
Roof (cnt)	HAF4017A	5.15	60	E	0.75	0.050	41.3	0.025	0.03
Measurement Grid									
Test Position	Height (cm)	% of Control Limit		Test Position	Height (cm)	% of Control Limit		IEEE Controlled Limit	IEEE Uncontrolled Limit
1	20	0.7%		6	120	1.8%		2.70	0.54
2	40	0.3%		7	140	2.2%			
3	60	0.7%		8	160	3.2%			
4	80	0.9%		9	180	3.3%			
5	100	1.6%		10	200	4.0%			
								<b>RF Po (*Max)</b>	42.0

BS-Position 4

Table 177

External Vehicle MPE Assessment @ 823.9875 MHz									
Antenna Location	Antenna Model	Gain (dBi)	Meas. Distance (cm)	E/H Field	Calibration Factor	Average over Body (mW/cm <sup>2</sup> )	Initial Power (W)	Pwr. Density Calc. (mW/cm <sup>2</sup> )	Pwr. Density Max Calc. (mW/cm <sup>2</sup> )
Roof (cnt)	HAF4017A	5.15	60	E	0.74	0.052	41.6	0.026	0.03
Measurement Grid									
Test Position	Height (cm)	% of Control Limit		Test Position	Height (cm)	% of Control Limit		IEEE Controlled Limit	IEEE Uncontrolled Limit
1	20	1.0%		6	120	2.0%		2.75	0.55
2	40	0.4%		7	140	2.5%			
3	60	0.7%		8	160	3.3%			
4	80	1.0%		9	180	3.1%			
5	100	1.2%		10	200	3.9%			
								<b>RF Po (*Max)</b>	42.0

7/800MHz Mobile M20URS9PW1AN

BS-Position 4

Table 178

External Vehicle MPE Assessment @ 851.0125 MHz											
Antenna Location	Antenna Model	Gain (dBi)	Meas. Distance (cm)	E/H Field	Calibration Factor	Average over Body (mW/cm <sup>2</sup> )	Initial Power (W)	Pwr. Density Calc. (mW/cm <sup>2</sup> )	Pwr. Density Max Calc. (mW/cm <sup>2</sup> )		
Roof (cnt)	HAF4017A	5.15	60	E	0.73	0.050	41.9	0.025	0.03		
Measurement Grid											
Test Position	Height (cm)	% of Control Limit			Test Position	Height (cm)	% of Control Limit			IEEE Controlled Limit	IEEE Uncontrolled Limit
1	20	0.9%			6	120	2.2%			2.84	0.57
2	40	0.4%			7	140	2.2%				
3	60	0.6%			8	160	3.3%				
4	80	0.9%			9	180	3.3%				
5	100	1.2%			10	200	2.7%				
										<b>RF Po (*Max)</b>	42.0

BS-Position 4

Table 179

External Vehicle MPE Assessment @ 859.0125 MHz											
Antenna Location	Antenna Model	Gain (dBi)	Meas. Distance (cm)	E/H Field	Calibration Factor	Average over Body (mW/cm <sup>2</sup> )	Initial Power (W)	Pwr. Density Calc. (mW/cm <sup>2</sup> )	Pwr. Density Max Calc. (mW/cm <sup>2</sup> )		
Roof (cnt)	HAF4017A	5.15	60	E	0.72	0.050	41.7	0.025	0.03		
Measurement Grid											
Test Position	Height (cm)	% of Control Limit			Test Position	Height (cm)	% of Control Limit			IEEE Controlled Limit	IEEE Uncontrolled Limit
1	20	0.7%			6	120	1.9%			2.86	0.57
2	40	0.4%			7	140	2.1%				
3	60	0.9%			8	160	3.0%				
4	80	1.1%			9	180	3.3%				
5	100	1.4%			10	200	2.6%				
										<b>RF Po (*Max)</b>	42.0

BS-Position 4

Table 180

External Vehicle MPE Assessment @ 868.9875 MHz											
Antenna Location	Antenna Model	Gain (dBi)	Meas. Distance (cm)	E/H Field	Calibration Factor	Average over Body (mW/cm <sup>2</sup> )	Initial Power (W)	Pwr. Density Calc. (mW/cm <sup>2</sup> )	Pwr. Density Max Calc. (mW/cm <sup>2</sup> )		
Roof (cnt)	HAF4017A	5.15	60	E	0.71	0.055	41.9	0.028	0.03		
Measurement Grid											
Test Position	Height (cm)	% of Control Limit			Test Position	Height (cm)	% of Control Limit			IEEE Controlled Limit	IEEE Uncontrolled Limit
1	20	1.0%			6	120	2.1%			2.90	0.58
2	40	0.9%			7	140	2.2%				
3	60	0.9%			8	160	3.1%				
4	80	1.1%			9	180	3.1%				
5	100	1.2%			10	200	3.4%				
										<b>RF Po (*Max)</b>	42.0

7/800MHz Mobile M20URS9PW1AN

BS-Position 5

Table 181

External Vehicle MPE Assessment @ 764.0875 MHz									
Antenna Location	Antenna Model	Gain (dBi)	Meas. Distance (cm)	E/H Field	Calibration Factor	Average over Body (mW/cm <sup>2</sup> )	Initial Power (W)	Pwr. Density Calc. (mW/cm <sup>2</sup> )	Pwr. Density Max Calc. (mW/cm <sup>2</sup> )
Roof (cnt)	HAF4016A	2.15	60	E	0.78	0.031	36.0	0.015	0.02
Measurement Grid									
Test Position	Height (cm)	% of Control Limit		Test Position	Height (cm)	% of Control Limit		IEEE Controlled Limit	IEEE Uncontrolled Limit
1	20	0.1%		6	120	0.8%		2.55	0.51
2	40	0.1%		7	140	1.3%			
3	60	0.2%		8	160	2.5%			
4	80	0.3%		9	180	3.9%			
5	100	0.6%		10	200	2.3%			
								<b>RF Po (*Max)</b>	36.0

BS-Position 5

Table 182

External Vehicle MPE Assessment @ 773.0125 MHz									
Antenna Location	Antenna Model	Gain (dBi)	Meas. Distance (cm)	E/H Field	Calibration Factor	Average over Body (mW/cm <sup>2</sup> )	Initial Power (W)	Pwr. Density Calc. (mW/cm <sup>2</sup> )	Pwr. Density Max Calc. (mW/cm <sup>2</sup> )
Roof (cnt)	HAF4016A	2.15	60	E	0.78	0.035	36.0	0.017	0.02
Measurement Grid									
Test Position	Height (cm)	% of Control Limit		Test Position	Height (cm)	% of Control Limit		IEEE Controlled Limit	IEEE Uncontrolled Limit
1	20	0.0%		6	120	1.3%		2.58	0.52
2	40	0.0%		7	140	1.7%			
3	60	0.0%		8	160	2.6%			
4	80	0.0%		9	180	4.2%			
5	100	0.1%		10	200	3.5%			
								<b>RF Po (*Max)</b>	36.0

BS-Position 5

Table 183

External Vehicle MPE Assessment @ 775.9125 MHz									
Antenna Location	Antenna Model	Gain (dBi)	Meas. Distance (cm)	E/H Field	Calibration Factor	Average over Body (mW/cm <sup>2</sup> )	Initial Power (W)	Pwr. Density Calc. (mW/cm <sup>2</sup> )	Pwr. Density Max Calc. (mW/cm <sup>2</sup> )
Roof (cnt)	HAF4016A	2.15	60	E	0.77	0.031	36.1	0.015	0.02
Measurement Grid									
Test Position	Height (cm)	% of Control Limit		Test Position	Height (cm)	% of Control Limit		IEEE Controlled Limit	IEEE Uncontrolled Limit
1	20	0.1%		6	120	0.8%		2.59	0.52
2	40	0.1%		7	140	1.2%			
3	60	0.1%		8	160	2.4%			
4	80	0.1%		9	180	3.6%			
5	100	0.5%		10	200	3.0%			
								<b>RF Po (*Max)</b>	36.0



7/800MHz Mobile M20URS9PW1AN

BS-Position 5

Table 184

External Vehicle MPE Assessment @ 794.0875 MHz									
Antenna Location	Antenna Model	Gain (dBi)	Meas. Distance (cm)	E/H Field	Calibration Factor	Average over Body (mW/cm <sup>2</sup> )	Initial Power (W)	Pwr. Density Calc. (mW/cm <sup>2</sup> )	Pwr. Density Max Calc. (mW/cm <sup>2</sup> )
Roof (cnt)	HAF4016A	2.15	60	E	0.76	0.025	37.0	0.013	0.01
Measurement Grid									
Test Position	Height (cm)	% of Control Limit		Test Position	Height (cm)	% of Control Limit		IEEE Controlled Limit	IEEE Uncontrolled Limit
1	20	0.0%		6	120	0.5%		2.65	0.53
2	40	0.1%		7	140	1.0%			
3	60	0.1%		8	160	2.0%			
4	80	0.1%		9	180	3.4%			
5	100	0.2%		10	200	2.2%			
								<b>RF Po (*Max)</b>	
								36.0	

BS-Position 5

Table 185

External Vehicle MPE Assessment @ 809.0125 MHz									
Antenna Location	Antenna Model	Gain (dBi)	Meas. Distance (cm)	E/H Field	Calibration Factor	Average over Body (mW/cm <sup>2</sup> )	Initial Power (W)	Pwr. Density Calc. (mW/cm <sup>2</sup> )	Pwr. Density Max Calc. (mW/cm <sup>2</sup> )
Roof (cnt)	HAF4016A	2.15	60	E	0.75	0.029	41.3	0.014	0.01
Measurement Grid									
Test Position	Height (cm)	% of Control Limit		Test Position	Height (cm)	% of Control Limit		IEEE Controlled Limit	IEEE Uncontrolled Limit
1	20	0.1%		6	120	0.9%		2.70	0.54
2	40	0.0%		7	140	1.1%			
3	60	0.1%		8	160	2.2%			
4	80	0.1%		9	180	3.4%			
5	100	0.4%		10	200	2.4%			
								<b>RF Po (*Max)</b>	
								42.0	

BS-Position 5

Table 186

External Vehicle MPE Assessment @ 823.9875 MHz									
Antenna Location	Antenna Model	Gain (dBi)	Meas. Distance (cm)	E/H Field	Calibration Factor	Average over Body (mW/cm <sup>2</sup> )	Initial Power (W)	Pwr. Density Calc. (mW/cm <sup>2</sup> )	Pwr. Density Max Calc. (mW/cm <sup>2</sup> )
Roof (cnt)	HAF4016A	2.15	60	E	0.74	0.021	41.6	0.010	0.01
Measurement Grid									
Test Position	Height (cm)	% of Control Limit		Test Position	Height (cm)	% of Control Limit		IEEE Controlled Limit	IEEE Uncontrolled Limit
1	20	0.1%		6	120	0.4%		2.75	0.55
2	40	0.1%		7	140	0.6%			
3	60	0.1%		8	160	1.8%			
4	80	0.1%		9	180	2.5%			
5	100	0.3%		10	200	1.6%			
								<b>RF Po (*Max)</b>	
								42.0	

7/800MHz Mobile M20URS9PW1AN

BS-Position 5

Table 187

External Vehicle MPE Assessment @ 851.0125 MHz									
Antenna Location	Antenna Model	Gain (dBi)	Meas. Distance (cm)	E/H Field	Calibration Factor	Average over Body (mW/cm <sup>2</sup> )	Initial Power (W)	Pwr. Density Calc. (mW/cm <sup>2</sup> )	Pwr. Density Max Calc. (mW/cm <sup>2</sup> )
Roof (cnt)	HAF4016A	2.15	60	E	0.73	0.023	41.9	0.012	0.01
Measurement Grid									
Test Position	Height (cm)	% of Control Limit		Test Position	Height (cm)	% of Control Limit		IEEE Controlled Limit	IEEE Uncontrolled Limit
1	20	0.1%		6	120	0.6%		2.84	0.57
2	40	0.1%		7	140	0.9%			
3	60	0.1%		8	160	2.0%			
4	80	0.1%		9	180	2.6%			
5	100	0.2%		10	200	1.6%			
								RF Po (*Max)	42.0

BS-Position 5

Table 188

External Vehicle MPE Assessment @ 859.0125 MHz									
Antenna Location	Antenna Model	Gain (dBi)	Meas. Distance (cm)	E/H Field	Calibration Factor	Average over Body (mW/cm <sup>2</sup> )	Initial Power (W)	Pwr. Density Calc. (mW/cm <sup>2</sup> )	Pwr. Density Max Calc. (mW/cm <sup>2</sup> )
Roof (cnt)	HAF4016A	2.15	60	E	0.72	0.024	41.7	0.012	0.01
Measurement Grid									
Test Position	Height (cm)	% of Control Limit		Test Position	Height (cm)	% of Control Limit		IEEE Controlled Limit	IEEE Uncontrolled Limit
1	20	0.1%		6	120	0.5%		2.86	0.57
2	40	0.1%		7	140	1.0%			
3	60	0.1%		8	160	2.3%			
4	80	0.1%		9	180	2.7%			
5	100	0.1%		10	200	1.5%			
								RF Po (*Max)	42.0

BS-Position 5

Table 189

External Vehicle MPE Assessment @ 868.9875 MHz									
Antenna Location	Antenna Model	Gain (dBi)	Meas. Distance (cm)	E/H Field	Calibration Factor	Average over Body (mW/cm <sup>2</sup> )	Initial Power (W)	Pwr. Density Calc. (mW/cm <sup>2</sup> )	Pwr. Density Max Calc. (mW/cm <sup>2</sup> )
Roof (cnt)	HAF4016A	2.15	60	E	0.71	0.027	41.9	0.013	0.01
Measurement Grid									
Test Position	Height (cm)	% of Control Limit		Test Position	Height (cm)	% of Control Limit		IEEE Controlled Limit	IEEE Uncontrolled Limit
1	20	0.1%		6	120	1.0%		2.90	0.58
2	40	0.1%		7	140	1.3%			
3	60	0.1%		8	160	2.2%			
4	80	0.1%		9	180	2.7%			
5	100	0.3%		10	200	1.5%			
								RF Po (*Max)	42.0

7/800MHz Mobile M20URS9PW1AN

BS-Position 5

Table 190

External Vehicle MPE Assessment @ 764.0875 MHz									
Antenna Location	Antenna Model	Gain (dBi)	Meas. Distance (cm)	E/H Field	Calibration Factor	Average over Body (mW/cm <sup>2</sup> )	Initial Power (W)	Pwr. Density Calc. (mW/cm <sup>2</sup> )	Pwr. Density Max Calc. (mW/cm <sup>2</sup> )
Roof (cnt)	HAF4014A	5.15	60	E	0.78	0.049	36.0	0.024	0.02
Measurement Grid									
Test Position	Height (cm)	% of Control Limit		Test Position	Height (cm)	% of Control Limit		IEEE Controlled Limit	IEEE Uncontrolled Limit
1	20	0.1%		6	120	1.5%		2.55	0.51
2	40	0.1%		7	140	2.5%			
3	60	0.1%		8	160	4.4%			
4	80	0.4%		9	180	6.0%			
5	100	1.1%		10	200	3.0%			
								<b>RF Po (*Max)</b>	36.0

BS-Position 5

Table 191

External Vehicle MPE Assessment @ 773.0125 MHz									
Antenna Location	Antenna Model	Gain (dBi)	Meas. Distance (cm)	E/H Field	Calibration Factor	Average over Body (mW/cm <sup>2</sup> )	Initial Power (W)	Pwr. Density Calc. (mW/cm <sup>2</sup> )	Pwr. Density Max Calc. (mW/cm <sup>2</sup> )
Roof (cnt)	HAF4014A	5.15	60	E	0.78	0.062	36.0	0.031	0.03
Measurement Grid									
Test Position	Height (cm)	% of Control Limit		Test Position	Height (cm)	% of Control Limit		IEEE Controlled Limit	IEEE Uncontrolled Limit
1	20	0.1%		6	120	2.6%		2.58	0.52
2	40	0.1%		7	140	3.8%			
3	60	0.1%		8	160	4.6%			
4	80	0.6%		9	180	6.6%			
5	100	2.0%		10	200	3.5%			
								<b>RF Po (*Max)</b>	36.0

BS-Position 5

Table 192

External Vehicle MPE Assessment @ 775.9125 MHz									
Antenna Location	Antenna Model	Gain (dBi)	Meas. Distance (cm)	E/H Field	Calibration Factor	Average over Body (mW/cm <sup>2</sup> )	Initial Power (W)	Pwr. Density Calc. (mW/cm <sup>2</sup> )	Pwr. Density Max Calc. (mW/cm <sup>2</sup> )
Roof (cnt)	HAF4014A	5.15	60	E	0.77	0.061	36.1	0.030	0.03
Measurement Grid									
Test Position	Height (cm)	% of Control Limit		Test Position	Height (cm)	% of Control Limit		IEEE Controlled Limit	IEEE Uncontrolled Limit
1	20	0.1%		6	120	2.3%		2.59	0.52
2	40	0.1%		7	140	3.8%			
3	60	0.1%		8	160	4.7%			
4	80	0.6%		9	180	6.4%			
5	100	2.3%		10	200	3.1%			
								<b>RF Po (*Max)</b>	36.0

7/800MHz Mobile M20URS9PW1AN

BS-Position 5

Table 193

External Vehicle MPE Assessment @ 794.0875 MHz									
Antenna Location	Antenna Model	Gain (dBi)	Meas. Distance (cm)	E/H Field	Calibration Factor	Average over Body (mW/cm <sup>2</sup> )	Initial Power (W)	Pwr. Density Calc. (mW/cm <sup>2</sup> )	Pwr. Density Max Calc. (mW/cm <sup>2</sup> )
Roof (cnt)	HAF4014A	5.15	60	E	0.76	0.049	37.0	0.024	0.02
Measurement Grid									
Test Position	Height (cm)	% of Control Limit		Test Position	Height (cm)	% of Control Limit		IEEE Controlled Limit	IEEE Uncontrolled Limit
1	20	0.1%		6	120	1.4%		2.65	0.53
2	40	0.0%		7	140	2.7%			
3	60	0.1%		8	160	4.2%			
4	80	0.3%		9	180	5.6%			
5	100	1.5%		10	200	2.5%			
								RF Po (*Max)	
								36.0	

BS-Position 5

Table 194

External Vehicle MPE Assessment @ 809.0125 MHz									
Antenna Location	Antenna Model	Gain (dBi)	Meas. Distance (cm)	E/H Field	Calibration Factor	Average over Body (mW/cm <sup>2</sup> )	Initial Power (W)	Pwr. Density Calc. (mW/cm <sup>2</sup> )	Pwr. Density Max Calc. (mW/cm <sup>2</sup> )
Roof (cnt)	HAF4014A	5.15	60	E	0.75	0.052	41.3	0.026	0.03
Measurement Grid									
Test Position	Height (cm)	% of Control Limit		Test Position	Height (cm)	% of Control Limit		IEEE Controlled Limit	IEEE Uncontrolled Limit
1	20	0.0%		6	120	2.2%		2.70	0.54
2	40	0.0%		7	140	2.6%			
3	60	0.1%		8	160	4.1%			
4	80	0.5%		9	180	5.7%			
5	100	1.5%		10	200	2.5%			
								RF Po (*Max)	
								42.0	

BS-Position 5

Table 195

External Vehicle MPE Assessment @ 823.9875 MHz									
Antenna Location	Antenna Model	Gain (dBi)	Meas. Distance (cm)	E/H Field	Calibration Factor	Average over Body (mW/cm <sup>2</sup> )	Initial Power (W)	Pwr. Density Calc. (mW/cm <sup>2</sup> )	Pwr. Density Max Calc. (mW/cm <sup>2</sup> )
Roof (cnt)	HAF4014A	5.15	60	E	0.74	0.036	41.6	0.018	0.02
Measurement Grid									
Test Position	Height (cm)	% of Control Limit		Test Position	Height (cm)	% of Control Limit		IEEE Controlled Limit	IEEE Uncontrolled Limit
1	20	0.0%		6	120	0.9%		2.75	0.55
2	40	0.0%		7	140	1.6%			
3	60	0.0%		8	160	3.2%			
4	80	0.5%		9	180	4.3%			
5	100	0.8%		10	200	1.8%			
								RF Po (*Max)	
								42.0	

7/800MHz Mobile M20URS9PW1AN

BS-Position 5

Table 196

External Vehicle MPE Assessment @ 851.0125 MHz									
Antenna Location	Antenna Model	Gain (dBi)	Meas. Distance (cm)	E/H Field	Calibration Factor	Average over Body (mW/cm <sup>2</sup> )	Initial Power (W)	Pwr. Density Calc. (mW/cm <sup>2</sup> )	Pwr. Density Max Calc. (mW/cm <sup>2</sup> )
Roof (cnt)	HAF4014A	5.15	60	E	0.73	0.039	41.9	0.020	0.02
Measurement Grid									
Test Position	Height (cm)	% of Control Limit		Test Position	Height (cm)	% of Control Limit		IEEE Controlled Limit	IEEE Uncontrolled Limit
1	20	0.0%		6	120	1.6%		2.84	0.57
2	40	0.0%		7	140	2.1%			
3	60	0.1%		8	160	3.6%			
4	80	0.3%		9	180	3.7%			
5	100	0.9%		10	200	1.5%			
								RF Po (*Max)	42.0

BS-Position 5

Table 197

External Vehicle MPE Assessment @ 859.0125 MHz									
Antenna Location	Antenna Model	Gain (dBi)	Meas. Distance (cm)	E/H Field	Calibration Factor	Average over Body (mW/cm <sup>2</sup> )	Initial Power (W)	Pwr. Density Calc. (mW/cm <sup>2</sup> )	Pwr. Density Max Calc. (mW/cm <sup>2</sup> )
Roof (cnt)	HAF4014A	5.15	60	E	0.72	0.036	41.7	0.018	0.02
Measurement Grid									
Test Position	Height (cm)	% of Control Limit		Test Position	Height (cm)	% of Control Limit		IEEE Controlled Limit	IEEE Uncontrolled Limit
1	20	0.0%		6	120	1.5%		2.86	0.57
2	40	0.0%		7	140	2.0%			
3	60	0.1%		8	160	3.5%			
4	80	0.3%		9	180	3.3%			
5	100	0.5%		10	200	1.4%			
								RF Po (*Max)	42.0

BS-Position 5

Table 198

External Vehicle MPE Assessment @ 868.9875 MHz									
Antenna Location	Antenna Model	Gain (dBi)	Meas. Distance (cm)	E/H Field	Calibration Factor	Average over Body (mW/cm <sup>2</sup> )	Initial Power (W)	Pwr. Density Calc. (mW/cm <sup>2</sup> )	Pwr. Density Max Calc. (mW/cm <sup>2</sup> )
Roof (cnt)	HAF4014A	5.15	60	E	0.71	0.042	41.9	0.021	0.02
Measurement Grid									
Test Position	Height (cm)	% of Control Limit		Test Position	Height (cm)	% of Control Limit		IEEE Controlled Limit	IEEE Uncontrolled Limit
1	20	0.0%		6	120	2.3%		2.90	0.58
2	40	0.0%		7	140	2.5%			
3	60	0.0%		8	160	3.9%			
4	80	0.3%		9	180	3.5%			
5	100	0.7%		10	200	1.4%			
								RF Po (*Max)	42.0

7/800MHz Mobile M20URS9PW1AN

BS-Position 5

Table 199

External Vehicle MPE Assessment @ 764.0875 MHz									
Antenna Location	Antenna Model	Gain (dBi)	Meas. Distance (cm)	E/H Field	Calibration Factor	Average over Body (mW/cm <sup>2</sup> )	Initial Power (W)	Pwr. Density Calc. (mW/cm <sup>2</sup> )	Pwr. Density Max Calc. (mW/cm <sup>2</sup> )
Roof (cnt)	HAF4013A	5.15	60	E	0.78	0.027	36.0	0.013	0.01
Measurement Grid									
Test Position	Height (cm)	% of Control Limit		Test Position	Height (cm)	% of Control Limit		IEEE Controlled Limit	IEEE Uncontrolled Limit
1	20	0.0%		6	120	0.4%		2.55	0.51
2	40	0.0%		7	140	0.9%			
3	60	0.0%		8	160	2.5%			
4	80	0.1%		9	180	3.7%			
5	100	0.2%		10	200	2.7%			
								<b>RF Po (*Max)</b>	36.0

BS-Position 5

Table 200

External Vehicle MPE Assessment @ 773.0125 MHz									
Antenna Location	Antenna Model	Gain (dBi)	Meas. Distance (cm)	E/H Field	Calibration Factor	Average over Body (mW/cm <sup>2</sup> )	Initial Power (W)	Pwr. Density Calc. (mW/cm <sup>2</sup> )	Pwr. Density Max Calc. (mW/cm <sup>2</sup> )
Roof (cnt)	HAF4013A	5.15	60	E	0.78	0.029	36.0	0.014	0.01
Measurement Grid									
Test Position	Height (cm)	% of Control Limit		Test Position	Height (cm)	% of Control Limit		IEEE Controlled Limit	IEEE Uncontrolled Limit
1	20	0.0%		6	120	0.7%		2.58	0.52
2	40	0.0%		7	140	1.2%			
3	60	0.0%		8	160	2.2%			
4	80	0.0%		9	180	3.7%			
5	100	0.3%		10	200	3.1%			
								<b>RF Po (*Max)</b>	36.0

BS-Position 5

Table 201

External Vehicle MPE Assessment @ 775.9125 MHz									
Antenna Location	Antenna Model	Gain (dBi)	Meas. Distance (cm)	E/H Field	Calibration Factor	Average over Body (mW/cm <sup>2</sup> )	Initial Power (W)	Pwr. Density Calc. (mW/cm <sup>2</sup> )	Pwr. Density Max Calc. (mW/cm <sup>2</sup> )
Roof (cnt)	HAF4013A	5.15	60	E	0.77	0.027	36.1	0.014	0.01
Measurement Grid									
Test Position	Height (cm)	% of Control Limit		Test Position	Height (cm)	% of Control Limit		IEEE Controlled Limit	IEEE Uncontrolled Limit
1	20	0.0%		6	120	0.8%		2.59	0.52
2	40	0.0%		7	140	1.1%			
3	60	0.0%		8	160	1.9%			
4	80	0.0%		9	180	3.3%			
5	100	0.6%		10	200	2.8%			
								<b>RF Po (*Max)</b>	36.0

7/800MHz Mobile M20URS9PW1AN

BS-Position 5

Table 202

External Vehicle MPE Assessment @ 794.0875 MHz									
Antenna Location	Antenna Model	Gain (dBi)	Meas. Distance (cm)	E/H Field	Calibration Factor	Average over Body (mW/cm <sup>2</sup> )	Initial Power (W)	Pwr. Density Calc. (mW/cm <sup>2</sup> )	Pwr. Density Max Calc. (mW/cm <sup>2</sup> )
Roof (cnt)	HAF4013A	5.15	60	E	0.76	0.024	37.0	0.012	0.01
Measurement Grid									
Test Position	Height (cm)	% of Control Limit		Test Position	Height (cm)	% of Control Limit		IEEE Controlled Limit	IEEE Uncontrolled Limit
1	20	0.0%		6	120	0.3%		2.65	0.53
2	40	0.0%		7	140	0.7%			
3	60	0.0%		8	160	1.9%			
4	80	0.0%		9	180	3.4%			
5	100	0.3%		10	200	2.5%			
								RF Po (*Max)	
								36.0	

BS-Position 5

Table 203

External Vehicle MPE Assessment @ 809.0125 MHz									
Antenna Location	Antenna Model	Gain (dBi)	Meas. Distance (cm)	E/H Field	Calibration Factor	Average over Body (mW/cm <sup>2</sup> )	Initial Power (W)	Pwr. Density Calc. (mW/cm <sup>2</sup> )	Pwr. Density Max Calc. (mW/cm <sup>2</sup> )
Roof (cnt)	HAF4013A	5.15	60	E	0.75	0.026	41.3	0.013	0.01
Measurement Grid									
Test Position	Height (cm)	% of Control Limit		Test Position	Height (cm)	% of Control Limit		IEEE Controlled Limit	IEEE Uncontrolled Limit
1	20	0.0%		6	120	0.5%		2.70	0.54
2	40	0.0%		7	140	0.9%			
3	60	0.0%		8	160	1.8%			
4	80	0.0%		9	180	3.6%			
5	100	0.3%		10	200	2.4%			
								RF Po (*Max)	
								42.0	

BS-Position 5

Table 204

External Vehicle MPE Assessment @ 823.9875 MHz									
Antenna Location	Antenna Model	Gain (dBi)	Meas. Distance (cm)	E/H Field	Calibration Factor	Average over Body (mW/cm <sup>2</sup> )	Initial Power (W)	Pwr. Density Calc. (mW/cm <sup>2</sup> )	Pwr. Density Max Calc. (mW/cm <sup>2</sup> )
Roof (cnt)	HAF4013A	5.15	60	E	0.74	0.019	41.6	0.009	0.01
Measurement Grid									
Test Position	Height (cm)	% of Control Limit		Test Position	Height (cm)	% of Control Limit		IEEE Controlled Limit	IEEE Uncontrolled Limit
1	20	0.0%		6	120	0.3%		2.75	0.55
2	40	0.0%		7	140	0.5%			
3	60	0.0%		8	160	1.2%			
4	80	0.0%		9	180	2.9%			
5	100	0.2%		10	200	1.7%			
								RF Po (*Max)	
								42.0	

7/800MHz Mobile M20URS9PW1AN

BS-Position 5

Table 205

External Vehicle MPE Assessment @ 851.0125 MHz									
Antenna Location	Antenna Model	Gain (dBi)	Meas. Distance (cm)	E/H Field	Calibration Factor	Average over Body (mW/cm <sup>2</sup> )	Initial Power (W)	Pwr. Density Calc. (mW/cm <sup>2</sup> )	Pwr. Density Max Calc. (mW/cm <sup>2</sup> )
Roof (cnt)	HAF4013A	5.15	60	E	0.73	0.023	41.9	0.011	0.01
Measurement Grid									
Test Position	Height (cm)	% of Control Limit		Test Position	Height (cm)	% of Control Limit		IEEE Controlled Limit	IEEE Uncontrolled Limit
1	20	0.0%		6	120	0.5%		2.84	0.57
2	40	0.0%		7	140	0.9%			
3	60	0.0%		8	160	2.1%			
4	80	0.0%		9	180	2.8%			
5	100	0.1%		10	200	1.7%			
								<b>RF Po (*Max)</b>	42.0

BS-Position 5

Table 206

External Vehicle MPE Assessment @ 859.0125 MHz									
Antenna Location	Antenna Model	Gain (dBi)	Meas. Distance (cm)	E/H Field	Calibration Factor	Average over Body (mW/cm <sup>2</sup> )	Initial Power (W)	Pwr. Density Calc. (mW/cm <sup>2</sup> )	Pwr. Density Max Calc. (mW/cm <sup>2</sup> )
Roof (cnt)	HAF4013A	5.15	60	E	0.72	0.024	41.7	0.012	0.01
Measurement Grid									
Test Position	Height (cm)	% of Control Limit		Test Position	Height (cm)	% of Control Limit		IEEE Controlled Limit	IEEE Uncontrolled Limit
1	20	0.0%		6	120	0.6%		2.86	0.57
2	40	0.0%		7	140	1.0%			
3	60	0.0%		8	160	2.4%			
4	80	0.0%		9	180	2.7%			
5	100	0.1%		10	200	1.6%			
								<b>RF Po (*Max)</b>	42.0

BS-Position 5

Table 207

External Vehicle MPE Assessment @ 868.9875 MHz									
Antenna Location	Antenna Model	Gain (dBi)	Meas. Distance (cm)	E/H Field	Calibration Factor	Average over Body (mW/cm <sup>2</sup> )	Initial Power (W)	Pwr. Density Calc. (mW/cm <sup>2</sup> )	Pwr. Density Max Calc. (mW/cm <sup>2</sup> )
Roof (cnt)	HAF4013A	5.15	60	E	0.71	0.027	41.9	0.014	0.01
Measurement Grid									
Test Position	Height (cm)	% of Control Limit		Test Position	Height (cm)	% of Control Limit		IEEE Controlled Limit	IEEE Uncontrolled Limit
1	20	0.0%		6	120	0.9%		2.90	0.58
2	40	0.0%		7	140	1.5%			
3	60	0.0%		8	160	2.3%			
4	80	0.0%		9	180	3.0%			
5	100	0.2%		10	200	1.5%			
								<b>RF Po (*Max)</b>	42.0



7/800MHz Mobile M20URS9PW1AN

BS-Position 5

Table 208

External Vehicle MPE Assessment @ 764.0875 MHz									
Antenna Location	Antenna Model	Gain (dBi)	Meas. Distance (cm)	E/H Field	Calibration Factor	Average over Body (mW/cm <sup>2</sup> )	Initial Power (W)	Pwr. Density Calc. (mW/cm <sup>2</sup> )	Pwr. Density Max Calc. (mW/cm <sup>2</sup> )
Roof (cnt)	HAF4017A	5.15	60	E	0.78	0.010	36.0	0.005	0.01
Measurement Grid									
Test Position	Height (cm)	% of Control Limit		Test Position	Height (cm)	% of Control Limit		IEEE Controlled Limit	IEEE Uncontrolled Limit
1	20	0.0%		6	120	0.0%		2.55	0.51
2	40	0.0%		7	140	0.1%			
3	60	0.0%		8	160	0.9%			
4	80	0.0%		9	180	1.4%			
5	100	0.0%		10	200	1.7%			
								<b>RF Po (*Max)</b>	36.0

BS-Position 5

Table 209

External Vehicle MPE Assessment @ 773.0125 MHz									
Antenna Location	Antenna Model	Gain (dBi)	Meas. Distance (cm)	E/H Field	Calibration Factor	Average over Body (mW/cm <sup>2</sup> )	Initial Power (W)	Pwr. Density Calc. (mW/cm <sup>2</sup> )	Pwr. Density Max Calc. (mW/cm <sup>2</sup> )
Roof (cnt)	HAF4017A	5.15	60	E	0.78	0.012	36.0	0.006	0.01
Measurement Grid									
Test Position	Height (cm)	% of Control Limit		Test Position	Height (cm)	% of Control Limit		IEEE Controlled Limit	IEEE Uncontrolled Limit
1	20	0.0%		6	120	0.0%		2.58	0.52
2	40	0.0%		7	140	0.3%			
3	60	0.0%		8	160	0.9%			
4	80	0.0%		9	180	1.7%			
5	100	0.0%		10	200	1.6%			
								<b>RF Po (*Max)</b>	36.0

BS-Position 5

Table 210

External Vehicle MPE Assessment @ 775.9125 MHz									
Antenna Location	Antenna Model	Gain (dBi)	Meas. Distance (cm)	E/H Field	Calibration Factor	Average over Body (mW/cm <sup>2</sup> )	Initial Power (W)	Pwr. Density Calc. (mW/cm <sup>2</sup> )	Pwr. Density Max Calc. (mW/cm <sup>2</sup> )
Roof (cnt)	HAF4017A	5.15	60	E	0.77	0.014	36.1	0.007	0.01
Measurement Grid									
Test Position	Height (cm)	% of Control Limit		Test Position	Height (cm)	% of Control Limit		IEEE Controlled Limit	IEEE Uncontrolled Limit
1	20	0.0%		6	120	0.1%		2.59	0.52
2	40	0.0%		7	140	0.5%			
3	60	0.0%		8	160	1.0%			
4	80	0.0%		9	180	1.9%			
5	100	0.0%		10	200	1.8%			
								<b>RF Po (*Max)</b>	36.0

7/800MHz Mobile M20URS9PW1AN

BS-Position 5

Table 211

External Vehicle MPE Assessment @ 794.0875 MHz										
Antenna Location	Antenna Model	Gain (dBi)	Meas. Distance (cm)	E/H Field	Calibration Factor	Average over Body (mW/cm <sup>2</sup> )	Initial Power (W)	Pwr. Density Calc. (mW/cm <sup>2</sup> )	Pwr. Density Max Calc. (mW/cm <sup>2</sup> )	
Roof (cnt)	HAF4017A	5.15	60	E	0.76	0.021	37.0	0.010	0.01	
Measurement Grid										
Test Position	Height (cm)	% of Control Limit			Test Position	Height (cm)	% of Control Limit		IEEE Controlled Limit	IEEE Uncontrolled Limit
1	20	0.0%			6	120	0.3%		2.65	0.53
2	40	0.0%			7	140	0.8%			
3	60	0.0%			8	160	2.5%			
4	80	0.0%			9	180	2.7%			
5	100	0.0%			10	200	1.6%			
								<b>RF Po (*Max)</b>		36.0

BS-Position 5

Table 212

External Vehicle MPE Assessment @ 809.0125 MHz										
Antenna Location	Antenna Model	Gain (dBi)	Meas. Distance (cm)	E/H Field	Calibration Factor	Average over Body (mW/cm <sup>2</sup> )	Initial Power (W)	Pwr. Density Calc. (mW/cm <sup>2</sup> )	Pwr. Density Max Calc. (mW/cm <sup>2</sup> )	
Roof (cnt)	HAF4017A	5.15	60	E	0.75	0.036	41.3	0.018	0.02	
Measurement Grid										
Test Position	Height (cm)	% of Control Limit			Test Position	Height (cm)	% of Control Limit		IEEE Controlled Limit	IEEE Uncontrolled Limit
1	20	0.0%			6	120	0.8%		2.70	0.54
2	40	0.0%			7	140	2.0%			
3	60	0.0%			8	160	4.4%			
4	80	0.1%			9	180	3.3%			
5	100	0.3%			10	200	2.3%			
								<b>RF Po (*Max)</b>		42.0

BS-Position 5

Table 213

External Vehicle MPE Assessment @ 823.9875 MHz										
Antenna Location	Antenna Model	Gain (dBi)	Meas. Distance (cm)	E/H Field	Calibration Factor	Average over Body (mW/cm <sup>2</sup> )	Initial Power (W)	Pwr. Density Calc. (mW/cm <sup>2</sup> )	Pwr. Density Max Calc. (mW/cm <sup>2</sup> )	
Roof (cnt)	HAF4017A	5.15	60	E	0.74	0.037	41.6	0.018	0.02	
Measurement Grid										
Test Position	Height (cm)	% of Control Limit			Test Position	Height (cm)	% of Control Limit		IEEE Controlled Limit	IEEE Uncontrolled Limit
1	20	0.0%			6	120	1.3%		2.75	0.55
2	40	0.0%			7	140	2.4%			
3	60	0.0%			8	160	3.8%			
4	80	0.3%			9	180	3.2%			
5	100	0.4%			10	200	1.9%			
								<b>RF Po (*Max)</b>		42.0

7/800MHz Mobile M20URS9PW1AN

BS-Position 5

Table 214

External Vehicle MPE Assessment @ 851.0125 MHz										
Antenna Location	Antenna Model	Gain (dBi)	Meas. Distance (cm)	E/H Field	Calibration Factor	Average over Body (mW/cm <sup>2</sup> )	Initial Power (W)	Pwr. Density Calc. (mW/cm <sup>2</sup> )	Pwr. Density Max Calc. (mW/cm <sup>2</sup> )	
Roof (cnt)	HAF4017A	5.15	60	E	0.73	0.041	41.9	0.020	0.02	
Measurement Grid										
Test Position	Height (cm)	% of Control Limit			Test Position	Height (cm)	% of Control Limit		IEEE Controlled Limit	IEEE Uncontrolled Limit
1	20	0.0%			6	120	1.9%		2.84	0.57
2	40	0.0%			7	140	2.6%			
3	60	0.0%			8	160	4.8%			
4	80	0.3%			9	180	2.8%			
5	100	0.7%			10	200	1.3%			
								<b>RF Po (*Max)</b>	42.0	

BS-Position 5

Table 215

External Vehicle MPE Assessment @ 859.0125 MHz										
Antenna Location	Antenna Model	Gain (dBi)	Meas. Distance (cm)	E/H Field	Calibration Factor	Average over Body (mW/cm <sup>2</sup> )	Initial Power (W)	Pwr. Density Calc. (mW/cm <sup>2</sup> )	Pwr. Density Max Calc. (mW/cm <sup>2</sup> )	
Roof (cnt)	HAF4017A	5.15	60	E	0.72	0.034	41.7	0.017	0.02	
Measurement Grid										
Test Position	Height (cm)	% of Control Limit			Test Position	Height (cm)	% of Control Limit		IEEE Controlled Limit	IEEE Uncontrolled Limit
1	20	0.0%			6	120	1.5%		2.86	0.57
2	40	0.0%			7	140	2.4%			
3	60	0.0%			8	160	3.6%			
4	80	0.3%			9	180	2.3%			
5	100	0.5%			10	200	1.3%			
								<b>RF Po (*Max)</b>	42.0	

BS-Position 5

Table 216

External Vehicle MPE Assessment @ 868.9875 MHz										
Antenna Location	Antenna Model	Gain (dBi)	Meas. Distance (cm)	E/H Field	Calibration Factor	Average over Body (mW/cm <sup>2</sup> )	Initial Power (W)	Pwr. Density Calc. (mW/cm <sup>2</sup> )	Pwr. Density Max Calc. (mW/cm <sup>2</sup> )	
Roof (cnt)	HAF4017A	5.15	60	E	0.71	0.034	41.9	0.017	0.02	
Measurement Grid										
Test Position	Height (cm)	% of Control Limit			Test Position	Height (cm)	% of Control Limit		IEEE Controlled Limit	IEEE Uncontrolled Limit
1	20	0.0%			6	120	2.2%		2.90	0.58
2	40	0.0%			7	140	2.6%			
3	60	0.0%			8	160	3.0%			
4	80	0.1%			9	180	1.8%			
5	100	0.8%			10	200	1.1%			
								<b>RF Po (*Max)</b>	42.0	