

	REVISIONS



2L046A01

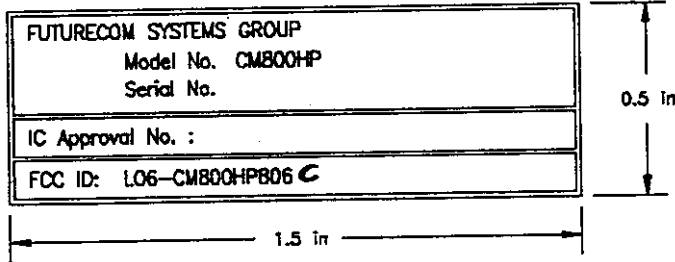
SHT 1 & FINAL

TITLE

LABEL, CM 800MHz, FCC, IC

F.C.F.O.

SCALE: 2:1



DRAWN BY
 FLC
 SEP 10/97

CHECKED BY
AB
 Dec. 1, 1997



2L046A01

SHT 1 & FINAL

REVISIONS	
1	



8H038A132

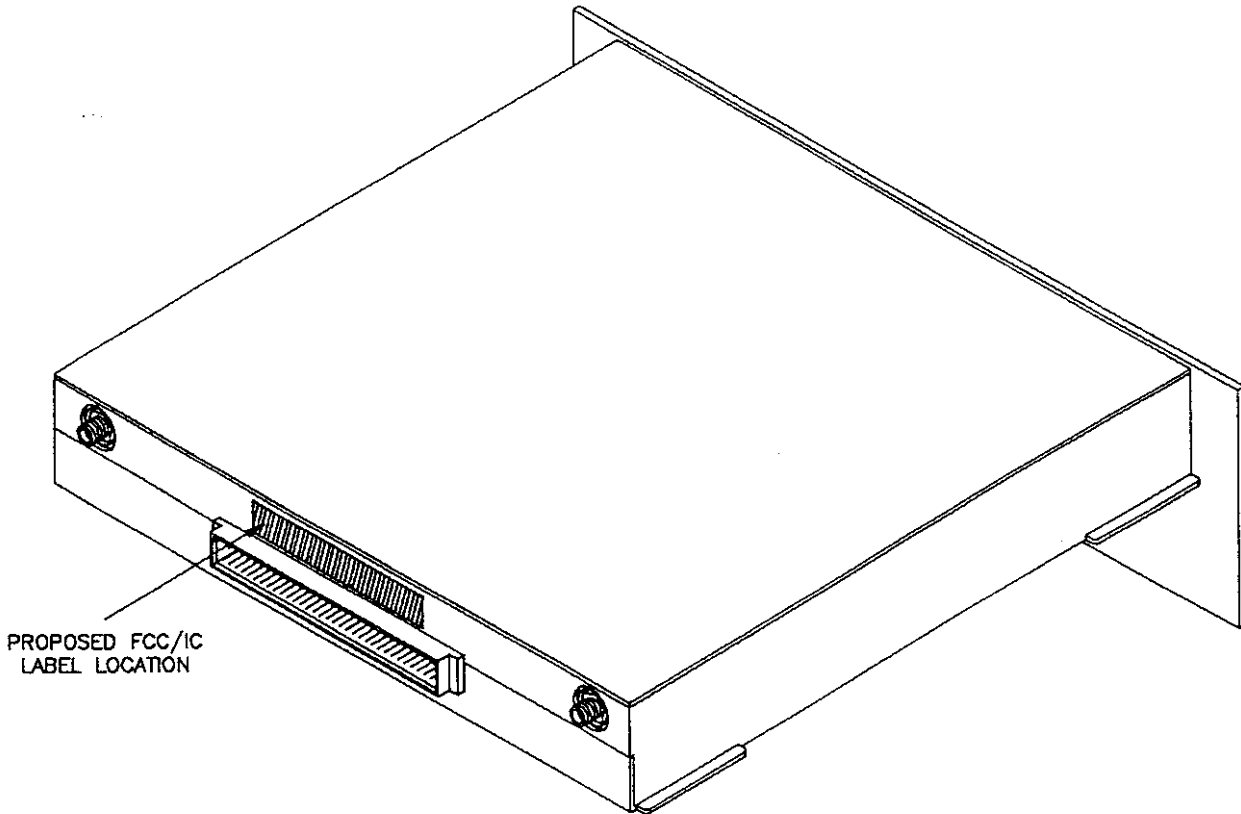
SHT 1 & FINAL

TITLE

FCC/IC LABEL LOCATION

FIRST MADE FOR :

F.C.F.O.



DRAWN BY
FLC
OCT 18/96

CHECKED BY
afj
Oct. 21, 1996



8H038A132

SHT 1 & FINAL

REVISIONS



2L046A02

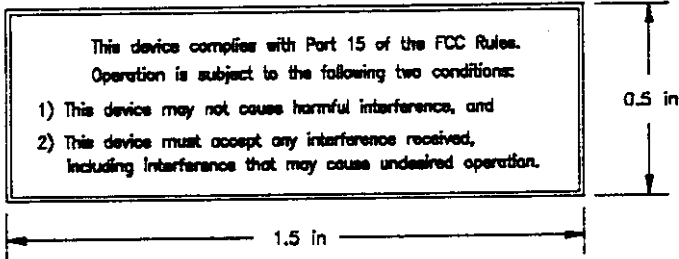
SHT 1 & FINAL

TITLE

LABEL, CM 800MHz, FCC, IC

F.C.F.O.

SCALE: 2:1



DRAWN BY
 FLC
 SEP 10/97

CHECKED BY
AB
 Sept. 12, 1997



2L046A02

SHT 1 & FINAL