

802.11B WIRELESS ACCESS POINT.

- 1.VIRATA HELIUM/NITROGEN210-80 ARM CONTROLLER;
- 2.802.11B WIRELESS MODUL;

03/21/2001:


With 2 PCMCIA Connectors;

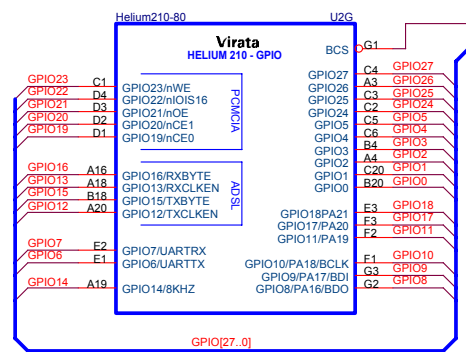
05/07/01

1. Change PCMCIA signal decode.
2. Change flash device address decode.
3. Add EPB Bus pWAIT# latch.

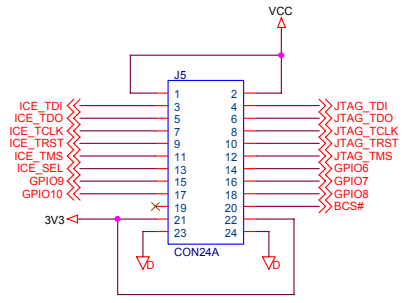
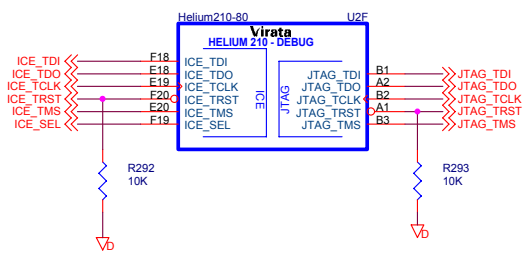
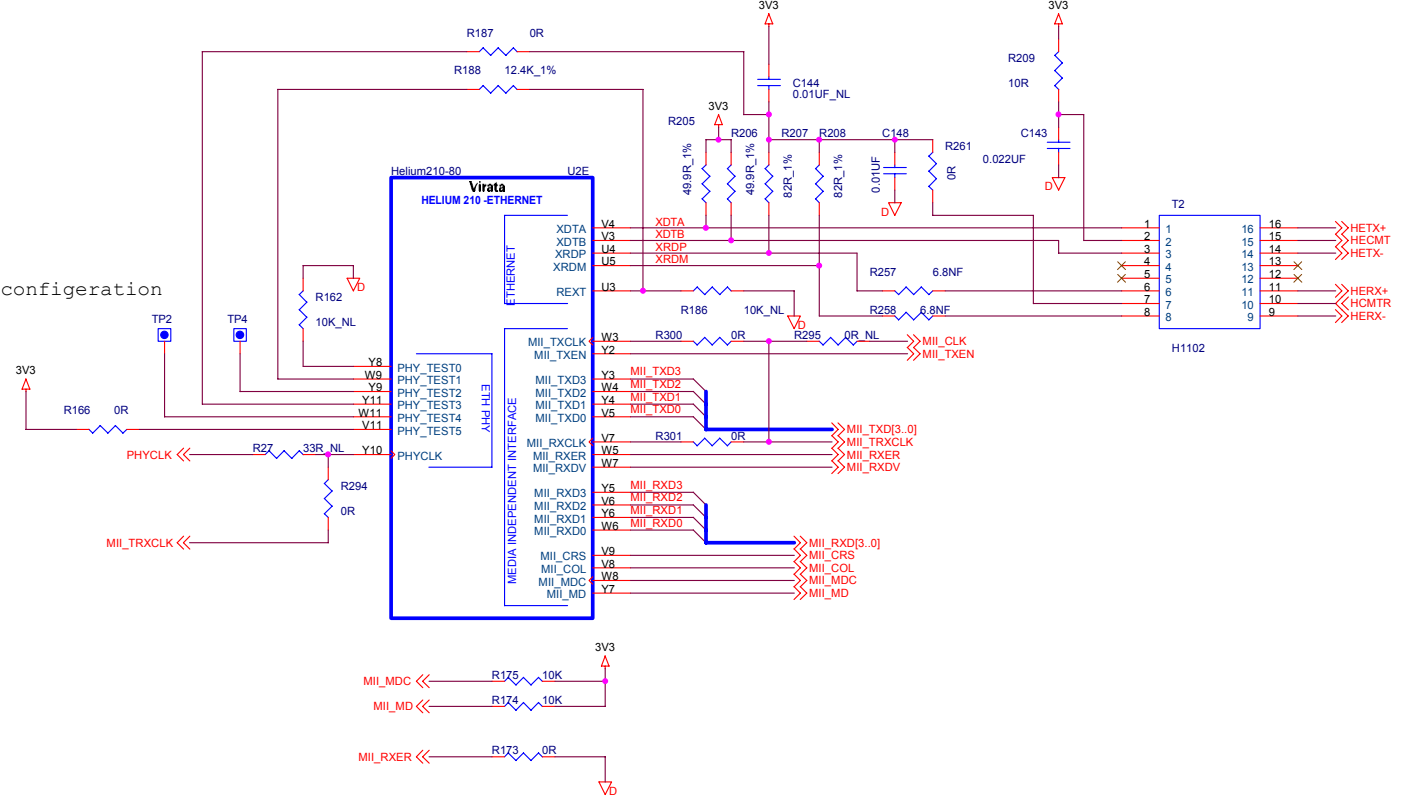
3/19/2002

1. Add GPIO3 control LED 5 for 802.11B access point LED function.
2. Add 16 dump resistors at Latched address.
3. Add current limit resistors at IOIS16# and GPIO17&GPIO18.

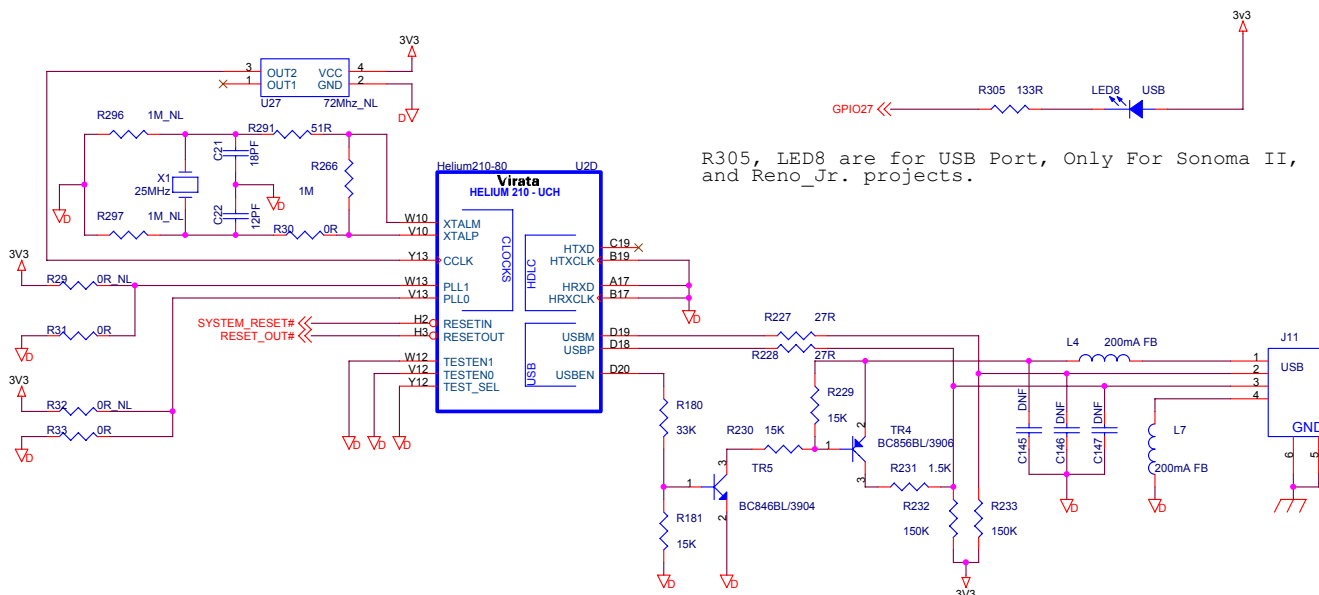
	ACTIONTEC ELECTRONICS, INC. 760 N. MARY AVE. SUNNYVALE, CA94086 http://www.actiontec.com			
	Ethernet 802.11B ACCESS POINT R3010UW(AP)			
COVER	Size A3	CAGE Code DW-15/02/2001	DWG NO APTOS 00-0405	Rev 5A
Modified: Friday, April 26, 2002	Scale	Sheet	1 of 13	



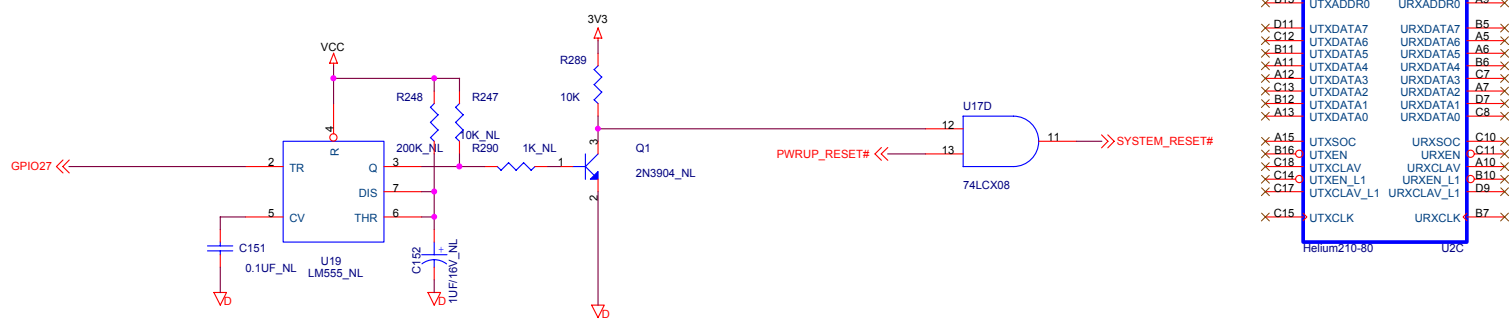
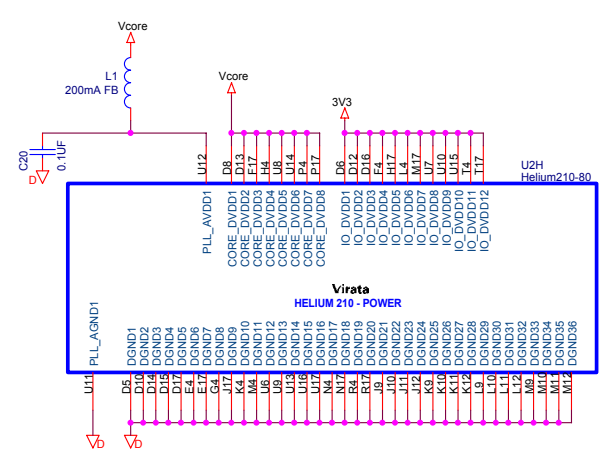
MII configuration



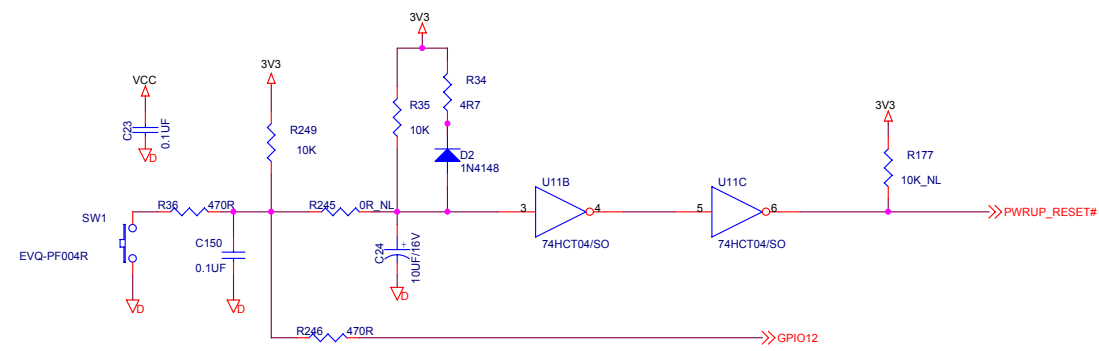
		ACTIONTEC ELECTRONICS, INC 760 N. MARY AVE. SUNNYVALE, CA94086 http://www.actiontec.com		
		Ethernet 802.11B ACCESS POINT R3010UW(AP)		
GPIO/MII/ICE	Size A3	CAGE Code DW-15/02/01	DWG NO APTOS 00-0405	Rev 1.5A:
Modified: Friday, April 26, 2002	Scale		Sheet 2	of 13



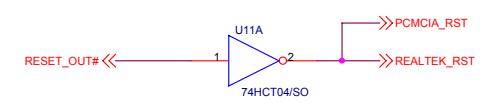
R305, LED8 are for USB Port, Only For Sonoma II, and Reno_Jr. projects.



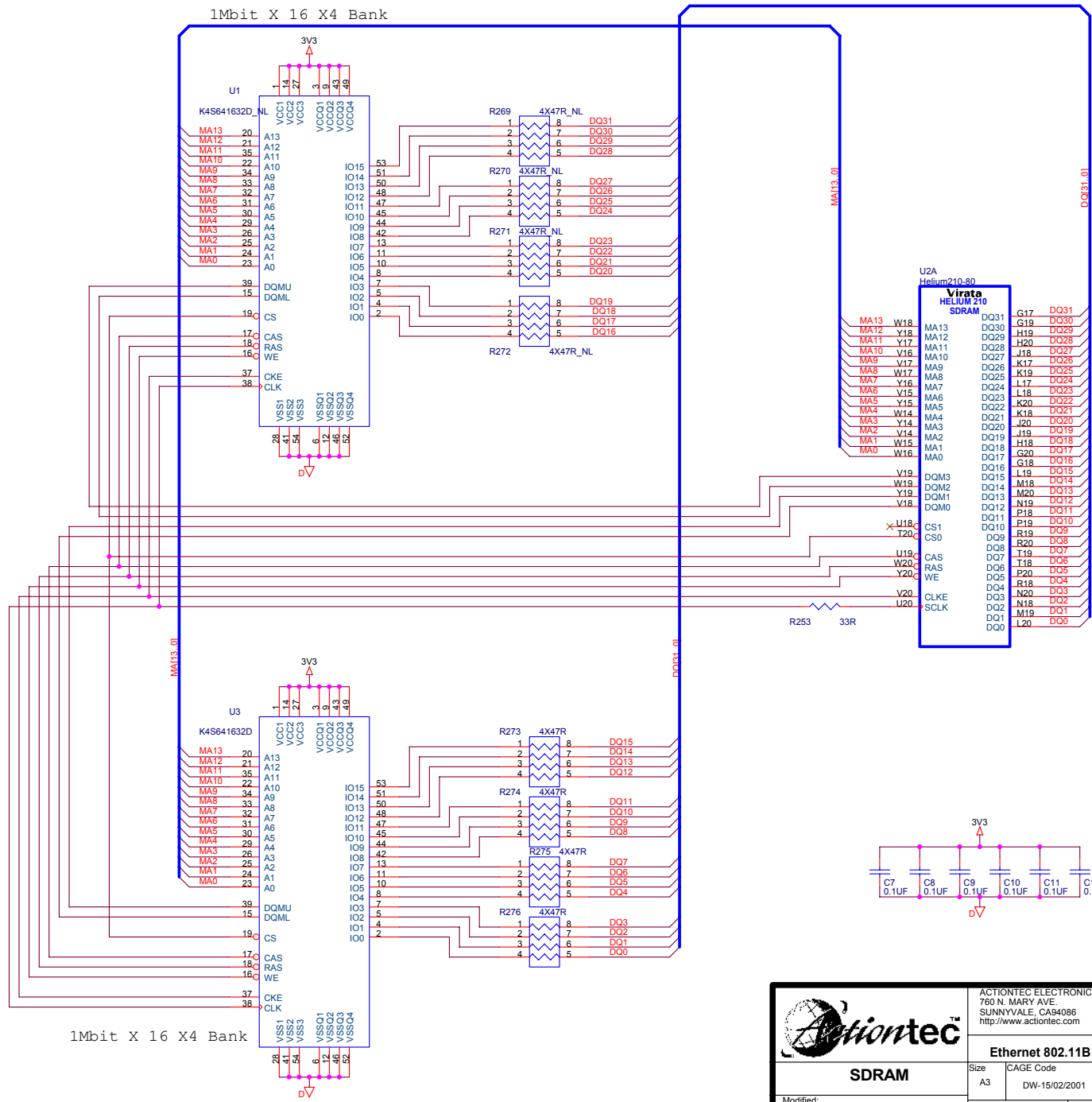
Virata HELIUM 210-UTOPIA		
X B13	UTXADDR4	URXADDR4 B8
X B14	UTXADDR3	URXADDR3 C9
X A14	UTXADDR2	URXADDR2 A8
X C18	UTXADDR1	URXADDR1 B9
X B15	UTXADDR0	URXADDR0 A9
X D11	UTXDATA7	URXDATA7 B5
X C12	UTXDATA6	URXDATA6 A5
X B11	UTXDATA5	URXDATA5 A6
X A11	UTXDATA4	URXDATA4 B6
X A12	UTXDATA3	URXDATA3 C7
X C13	UTXDATA2	URXDATA2 A7
X B12	UTXDATA1	URXDATA1 D7
X A13	UTXDATA0	URXDATA0 C8
X A15	UTXSOC	URXSOC C10
X B16	UTXEN	URXEN C11
X C18	UTXCLAV	URXCLAV A10
X C14	UTXEN_L1	URXEN_L1 B10
X C17	UTXCLAV_L1	URXCLAV_L1 D9
X C15	UTXCLK	URXCLK B7



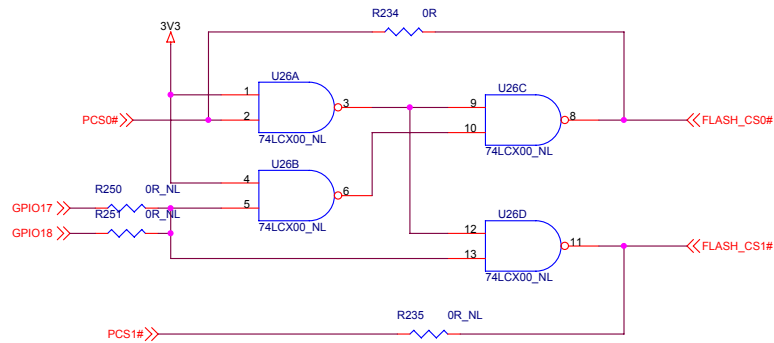
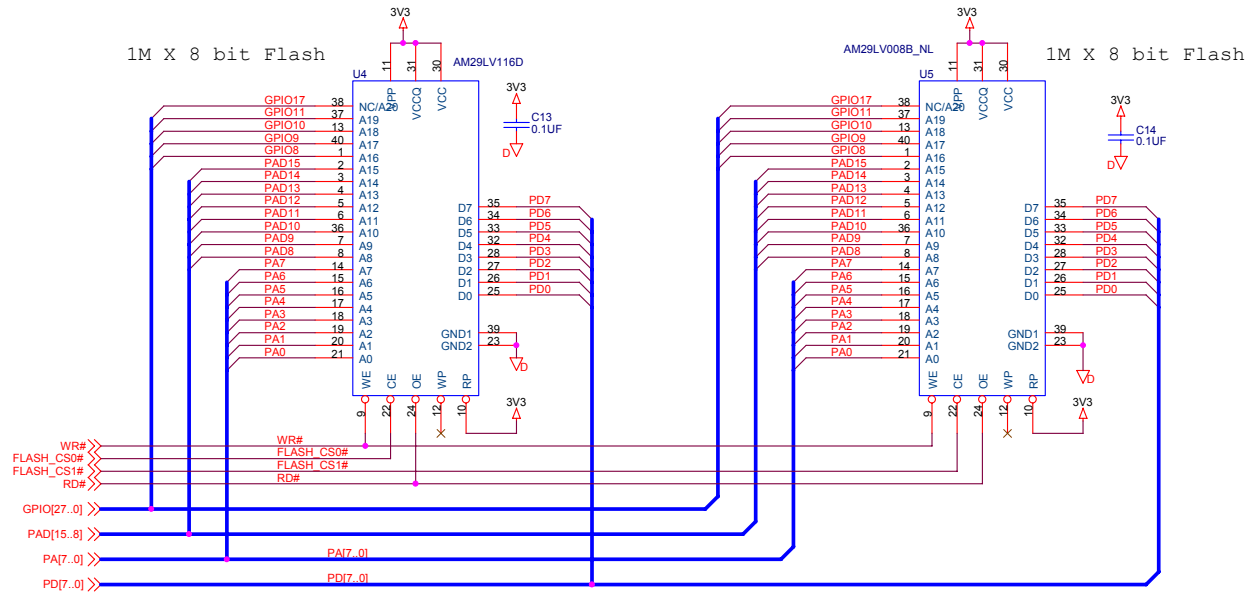
Reset




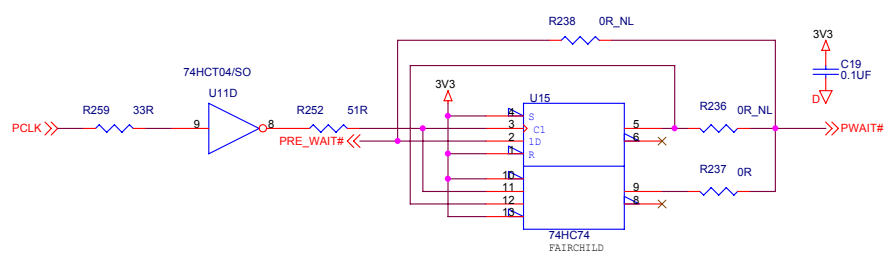
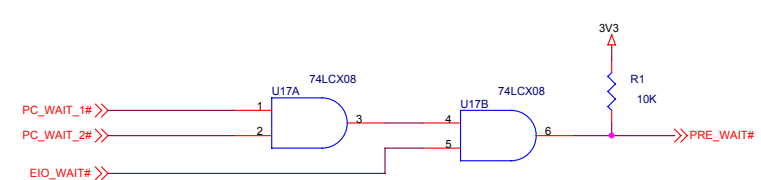
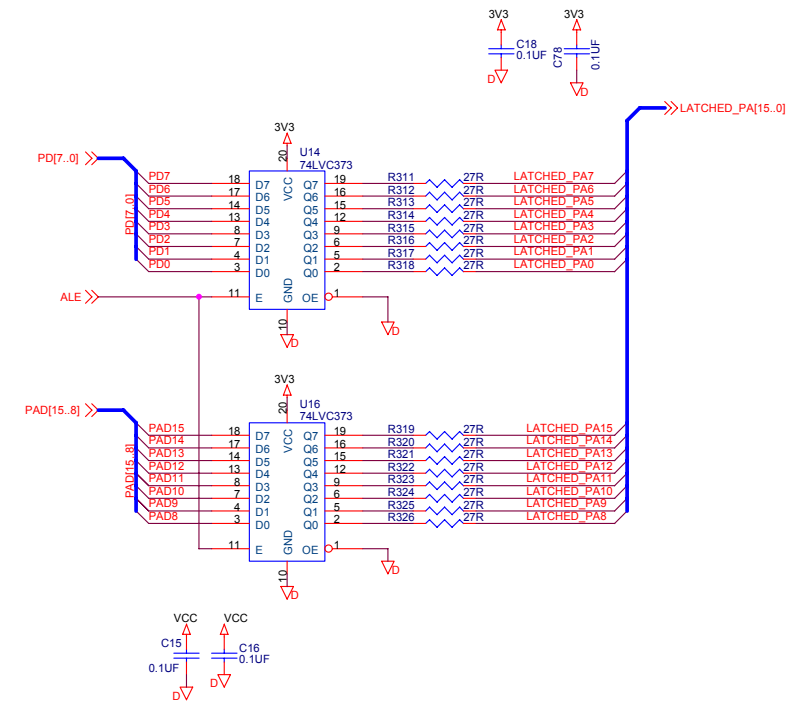
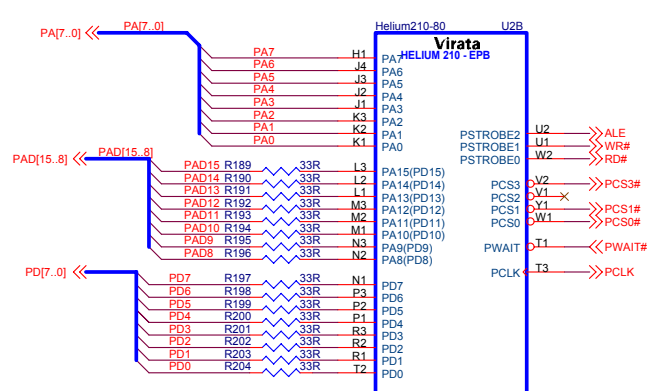
		ACTIONTEC ELECTRONICS, INC 760 N. MARY AVE. SUNNYVALE, CA94086 http://www.actiontec.com		
		Ethernet 802.11B ACCESS POINT R3010UW(AP)		
CLOCK/RST/UTOPIA	Size A3	CAGE Code DW-15/02/01	DWG NO APTOS 00-0405	Rev 1.5A:
Modified: Friday, April 26, 2002	Scale		Sheet 3 of 13	



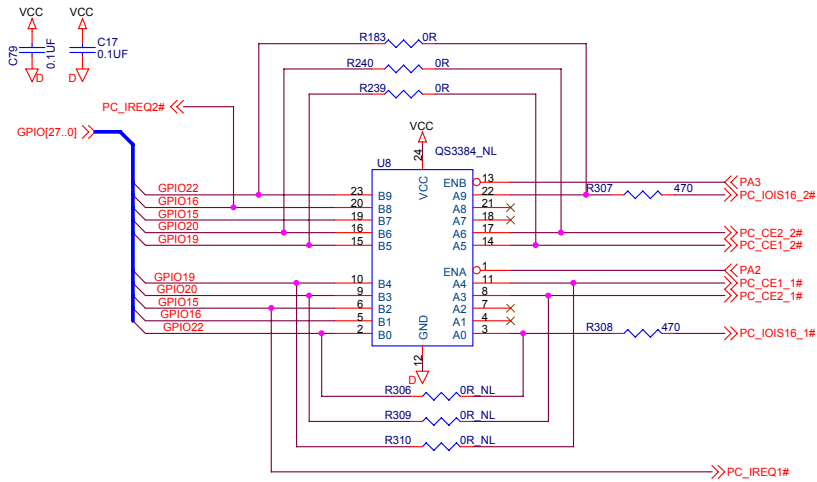
		ACTIONTEC ELECTRONICS, INC. 760 N. MARY AVE. SUNNYVALE, CA94086 http://www.actiontec.com		
		Ethernet 802.11B ACCESS POINT R3010UW(AP)		
SDRAM	Size A3	CAGE Code DW-15/02/2001	DWG NO APTOS 00-0405	Rev 5A:
Modified: Friday, April 26, 2002	Scale	Sheet 4 of 13		



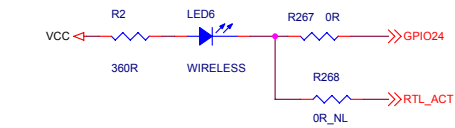
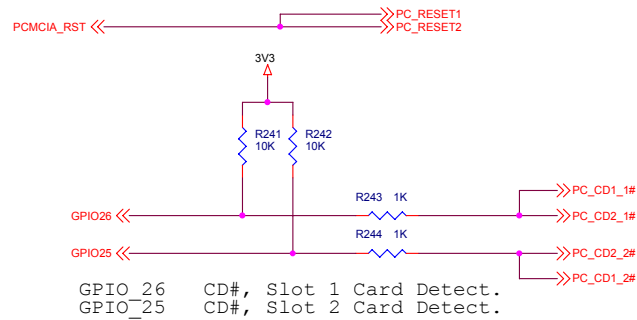
		ACTIONTEC ELECTRONICS, INC. 760 N. MARY AVE. SUNNYVALE, CA94086 http://www.actiontec.com			
		Ethernet 802.11B ACCESS POINT R3010UW(AP)			
FLASH		Size A3	CAGE Code DW-15/02/01	DWG NO APTOS 00-0405	Rev 5A
		Modified: Friday, April 26, 2002		Scale	Sheet 5 of 13



		ACTIONTEC ELECTRONICS, INC. 760 N. MARY AVE. SUNNYVALE, CA94086 http://www.actiontec.com		
		Ethernet 802.11B ACCESS POINT R3010UW(AP)		
EPB	Size A3	CAGE Code DW-19/12/2001	DWG NO APTOS 00-0405	Rev 5A
Modified: Friday, April 26, 2002	Scale	Sheet 6 of 13		

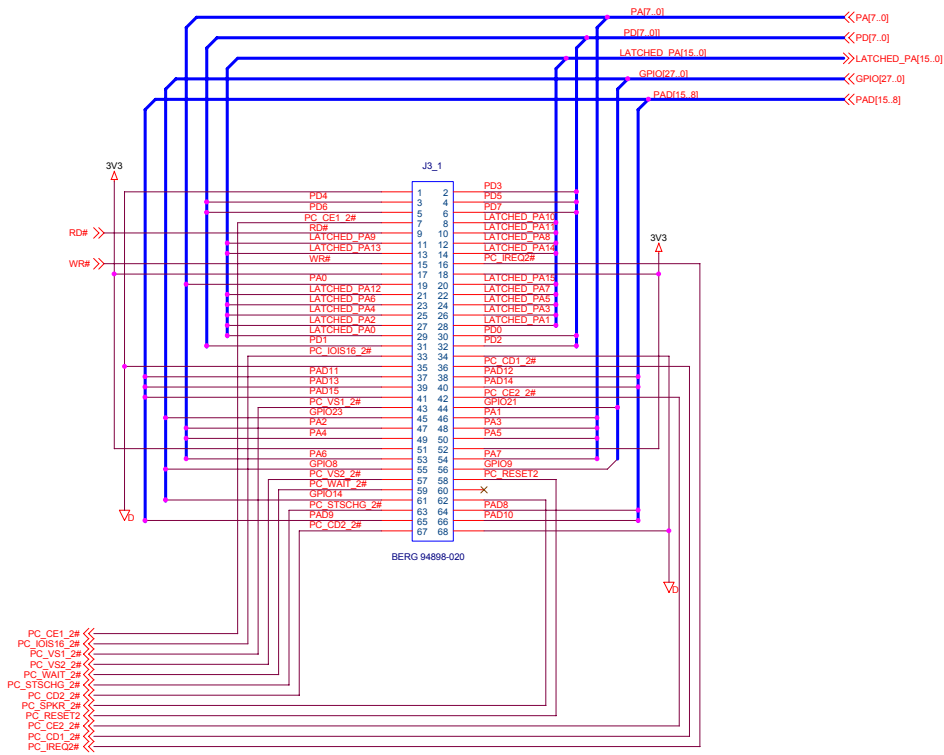



GPIO14=>REG#
 GPIO15=>IRQ#
 GPIO16=>STSCHG#
 GPIO19=>CE1#
 GPIO20=>CE2#
 GPIO21=>IORO#
 GPIO22=>IOIS16#
 GPIO23=>IOWR#

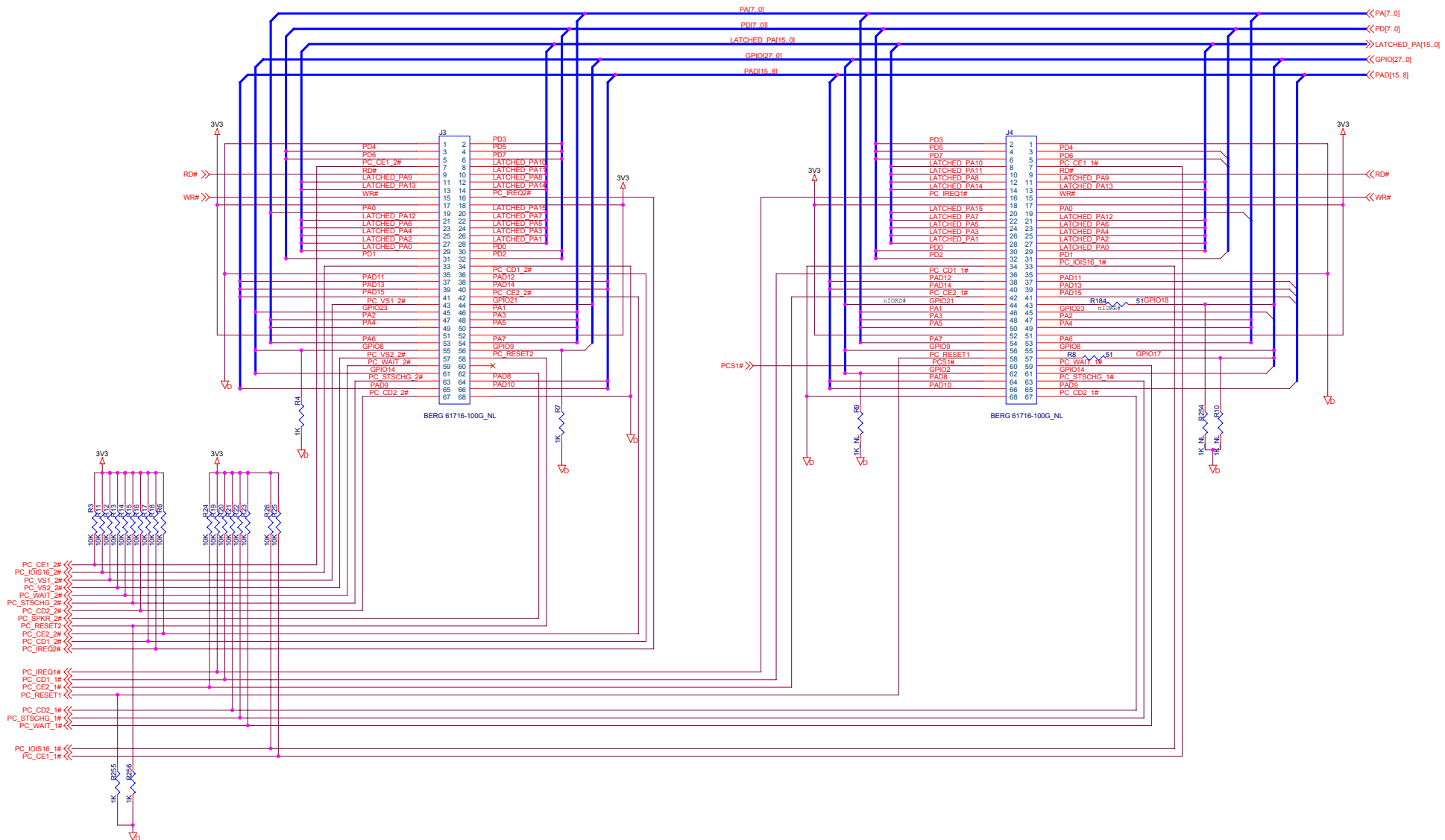


For Sonoma and Reno Install R267,
 For Catalina Install R268.

	ACTIONTEC ELECTRONICS, INC. 760 N. MARY AVE. SUNNYVALE, CA94086 http://www.actiontec.com		
	Ethernet 802.11B ACCESS POINT R3010UW(AP)		
PCMCIA CONTROL	Size A3	CAGE Code DW-15/02/01	DWG NO APTOS 00-0405
Modified: Friday, April 26, 2002	Scale	Sheet 7 of 13	Rev 5A:

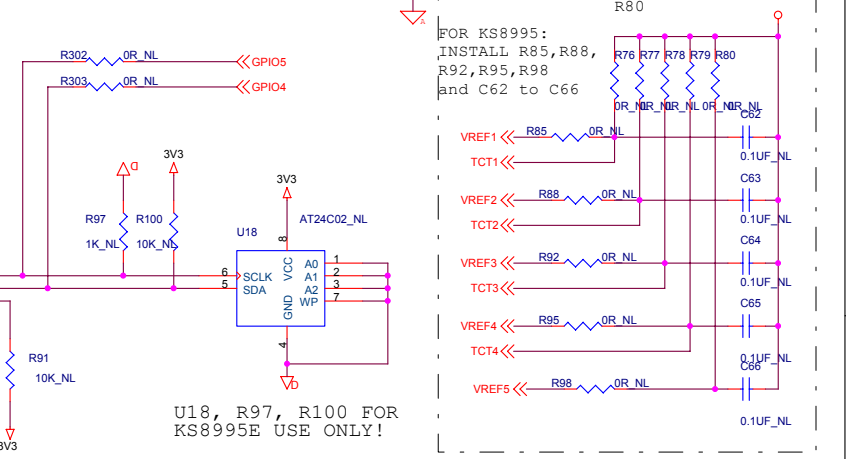
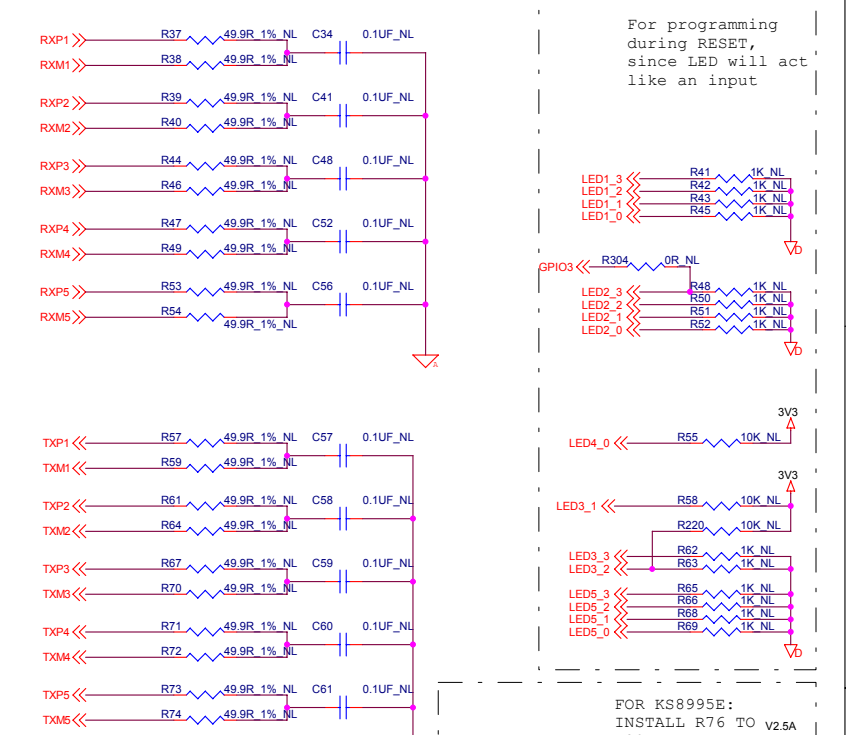
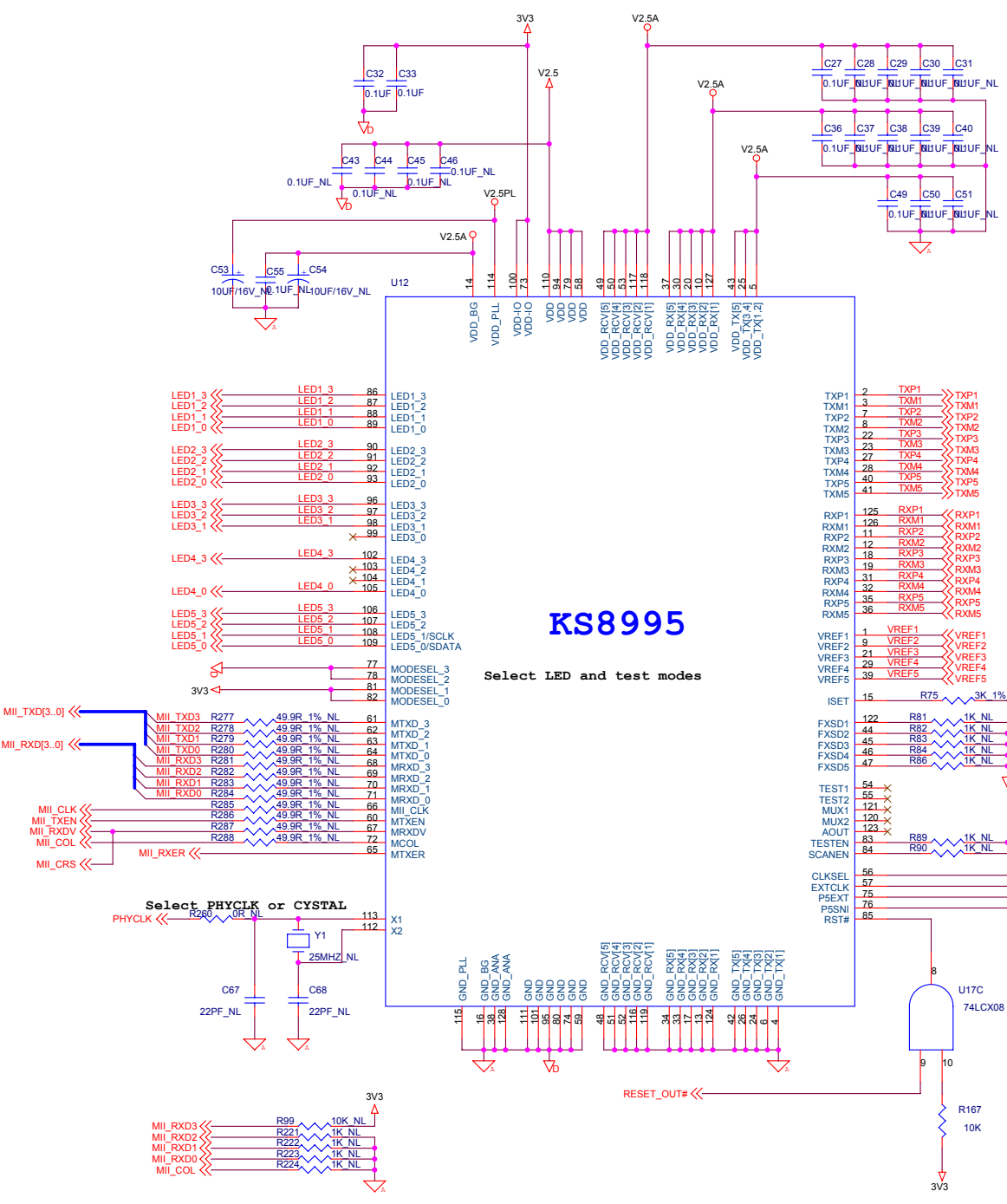


	ACTIONTEC ELECTRONICS, INC. 750 N. MARY AVE. SUNNYVALE, CA 94086 http://www.actiontec.com		
	Ethernet 802.11B ACCESS POINT R3010UW(AP)		
PCMCIA_INTERFACE1	Size C Modified: Friday, April 26, 2002	CAGE Code DW-15/02/01 Scale	DWG NO. APTOS 00-0405 Sheet 8 of 13

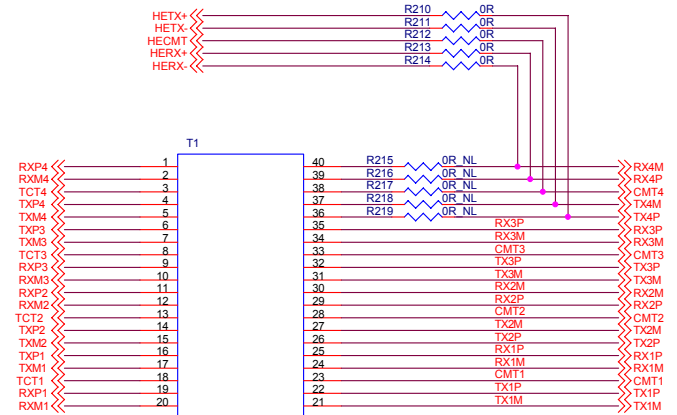
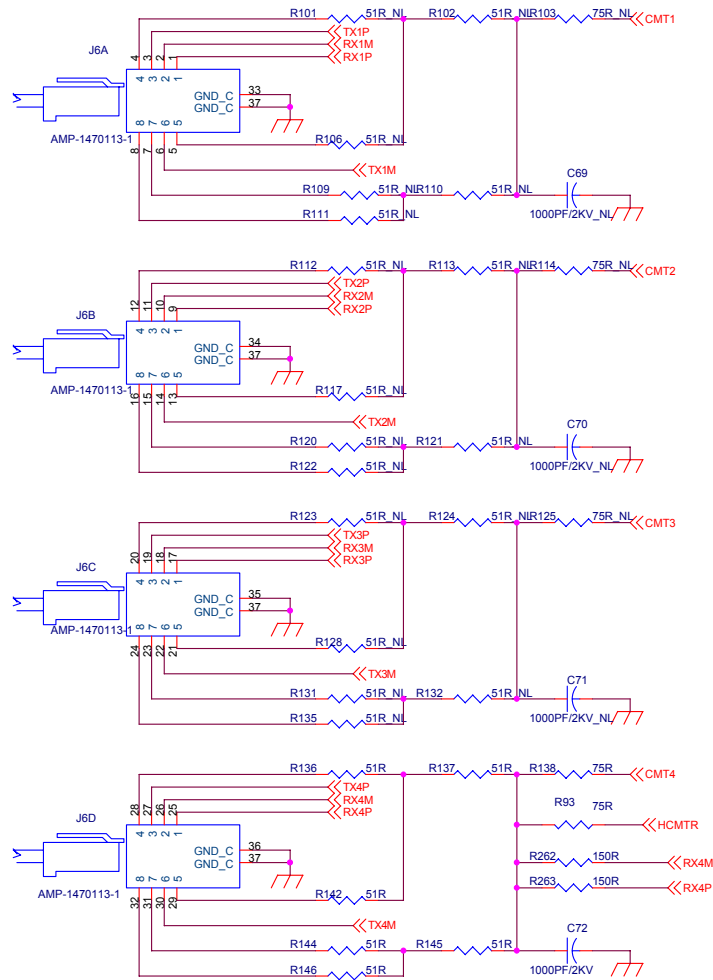


- PC_CE1_2#
- PC_IOIS16_2#
- PC_VS1_2#
- PC_VS2_2#
- PC_WAIT_2#
- PC_STSCHG_2#
- PC_CD2_2#
- PC_SMR_2#
- PC_RESET2
- PC_CE2_2#
- PC_CD1_2#
- PC_IREQ2#
- PC_IREQ1#
- PC_CD1_1#
- PC_CE2_1#
- PC_RESET1
- PC_CD2_1#
- PC_STSCHG_1#
- PC_WAIT_1#
- PC_IOIS16_1#
- PC_CE1_1#

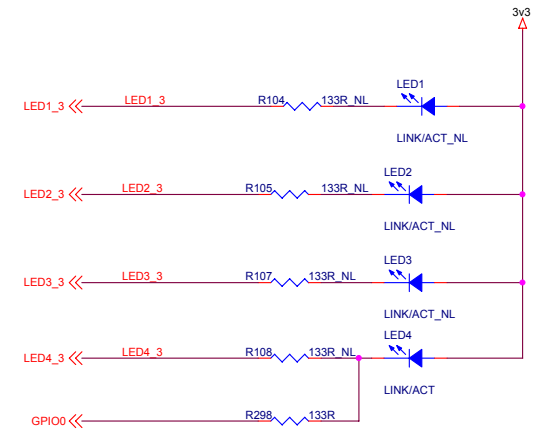
		ACTIONTEC ELECTRONICS, INC. 760 N. MARY AVE. SUNNYVALE, CA 94086 http://www.actiontec.com		
		Ethernet 802.11B ACCESS POINT R3010UW(AP)		
PCMCIA INTERFACE2	Size C Modified: Friday, April 26, 2002	CAGE Code DW-15/02/01 Scale	DWG NO. APTOS 00-0405 Sheet 9 of 13	Rev 1 5A



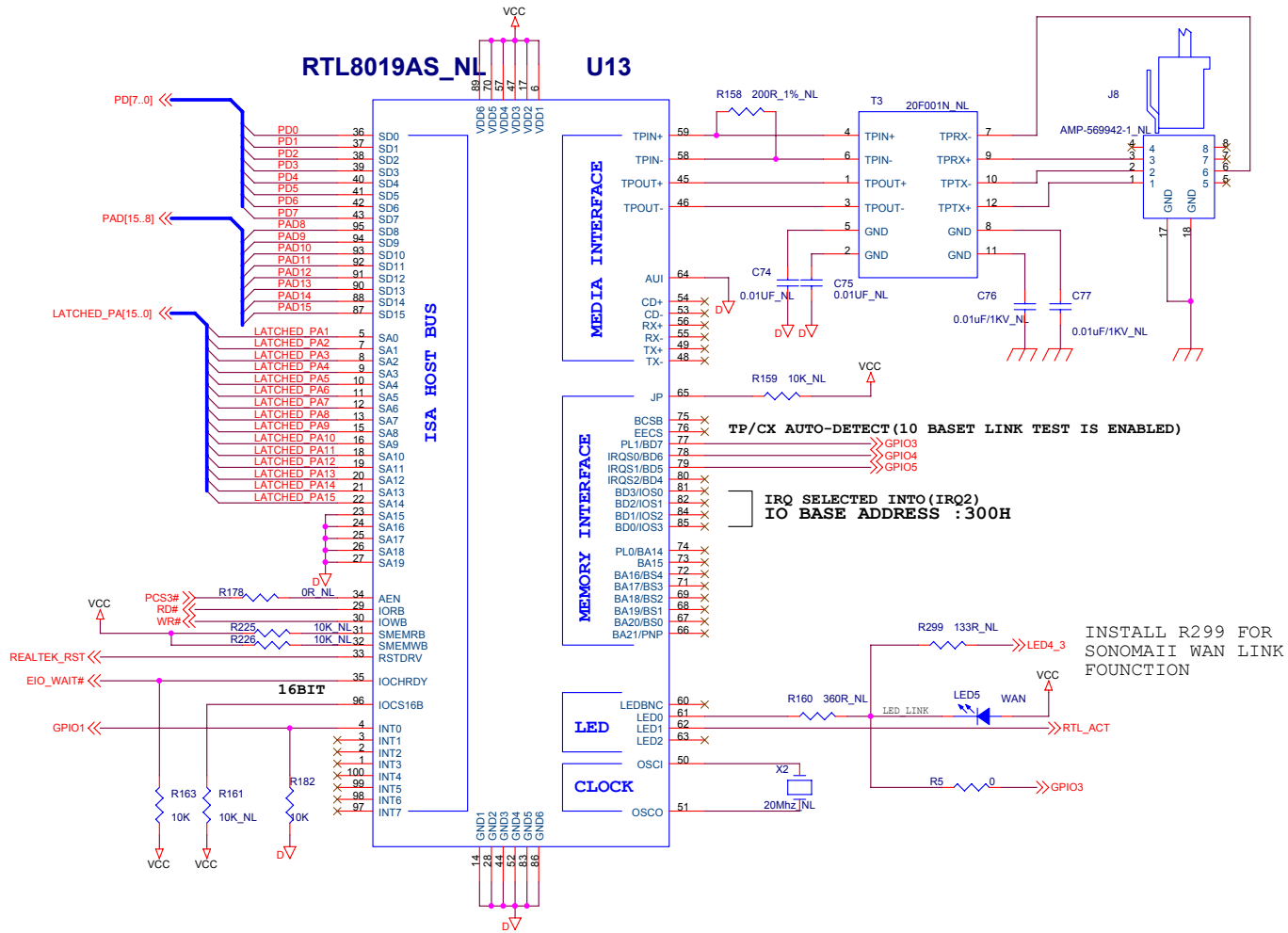
		ACTIONTEC ELECTRONICS, INC 760 N. MARY AVE. SUNNYVALE, CA94086 http://www.actiontec.com		
		Ethernet 802.11B ACCESS POINT R3010UW(AP)		
KENDIN1	Size A3	CAGE Code DW-15/02/01	DWG NO APTOS 00-0405	Rev 1.5A:
Modified: Friday, April 26, 2002	Scale	Sheet 10 of 13		




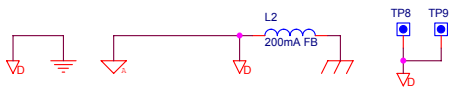
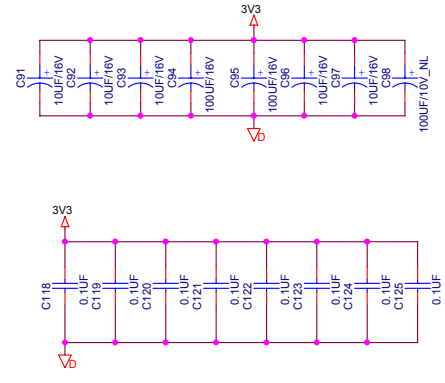
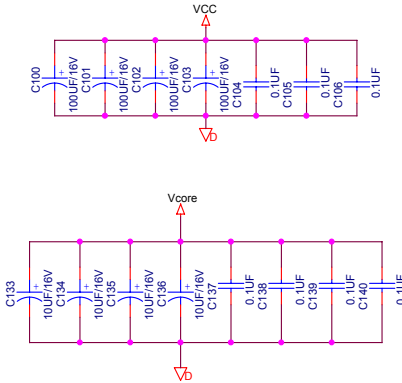
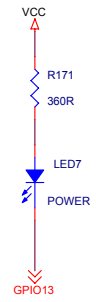
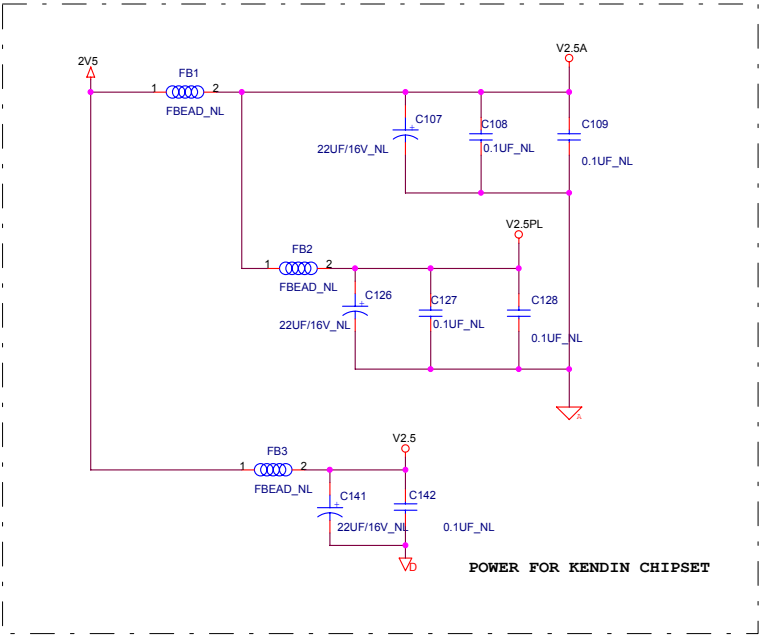
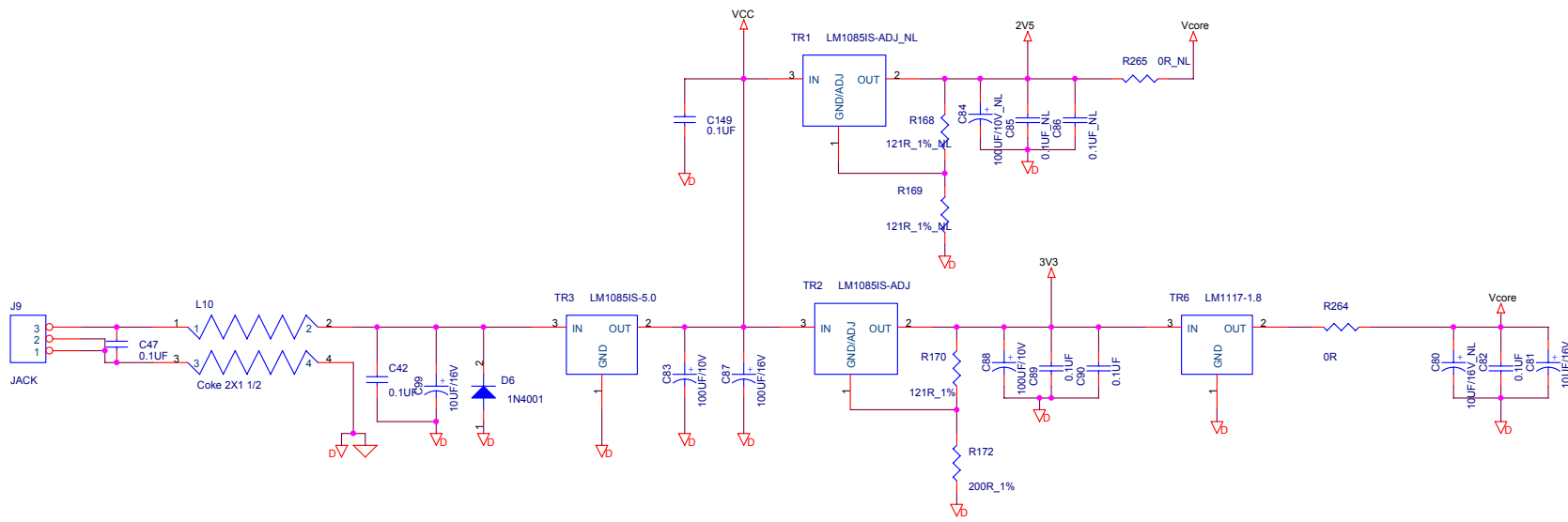
FOR KS8995: INSTALL PULSE H1060
 FOR KS8995E: INSTALL PULSE H1164



		ACTIONTEC ELECTRONICS, INC. 760 N. MARY AVE. SUNNYVALE, CA94086 http://www.actiontec.com	
		Ethernet 802.11B ACCESS POINT R3010UW(AP)	
Size	CAGE Code	DWG NO	Rev
A3	DW-13/02/01	APTOS 00-0405	5A:
Modified:	Scale	Sheet	11 of 13
Friday, April 26, 2002			



		ACTIONTEC ELECTRONICS, INC. 760 N. MARY AVE. SUNNYVALE, CA94086 http://www.actiontec.com		
		Ethernet 802.11B ACCESS POINT R3010UW(AP)		
RealTEK	Size A3	CAGE Code DW-15/02/01	DWG NO APTOS 00-0405	Rev 5A:
Modified: Friday, April 26, 2002	Scale	Sheet 12 of 13		



PROBE GROUNDING POINTS
 PLACE PINS 0.2 INCHES APART, IN PAIRS AND
 DISTRIBUTED EVENLY AROUND THE PCB

		ACTIONTEC ELECTRONICS, INC. 760 N. MARY AVE. SUNNYVALE, CA94086 http://www.actiontec.com			
		Ethernet 802.11B ACCESS POINT R3010UW(AP)			
POWER		Size A3	CAGE Code DW-15/02/01	DWG NO APTOS 00-0405	Rev 1.5A:
Modified: Friday, April 26, 2002		Scale	Sheet 13 of 13		