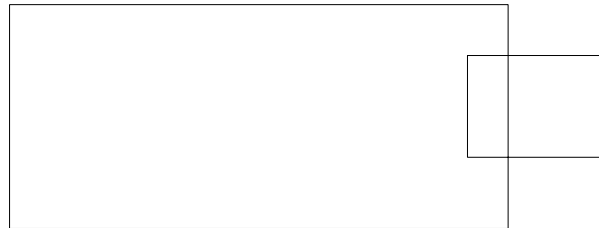


Actiontec Bluetooth Adapter

- USB KEY Form Factor
- CSR BlueCore2 Chipset
- Antenna Attached

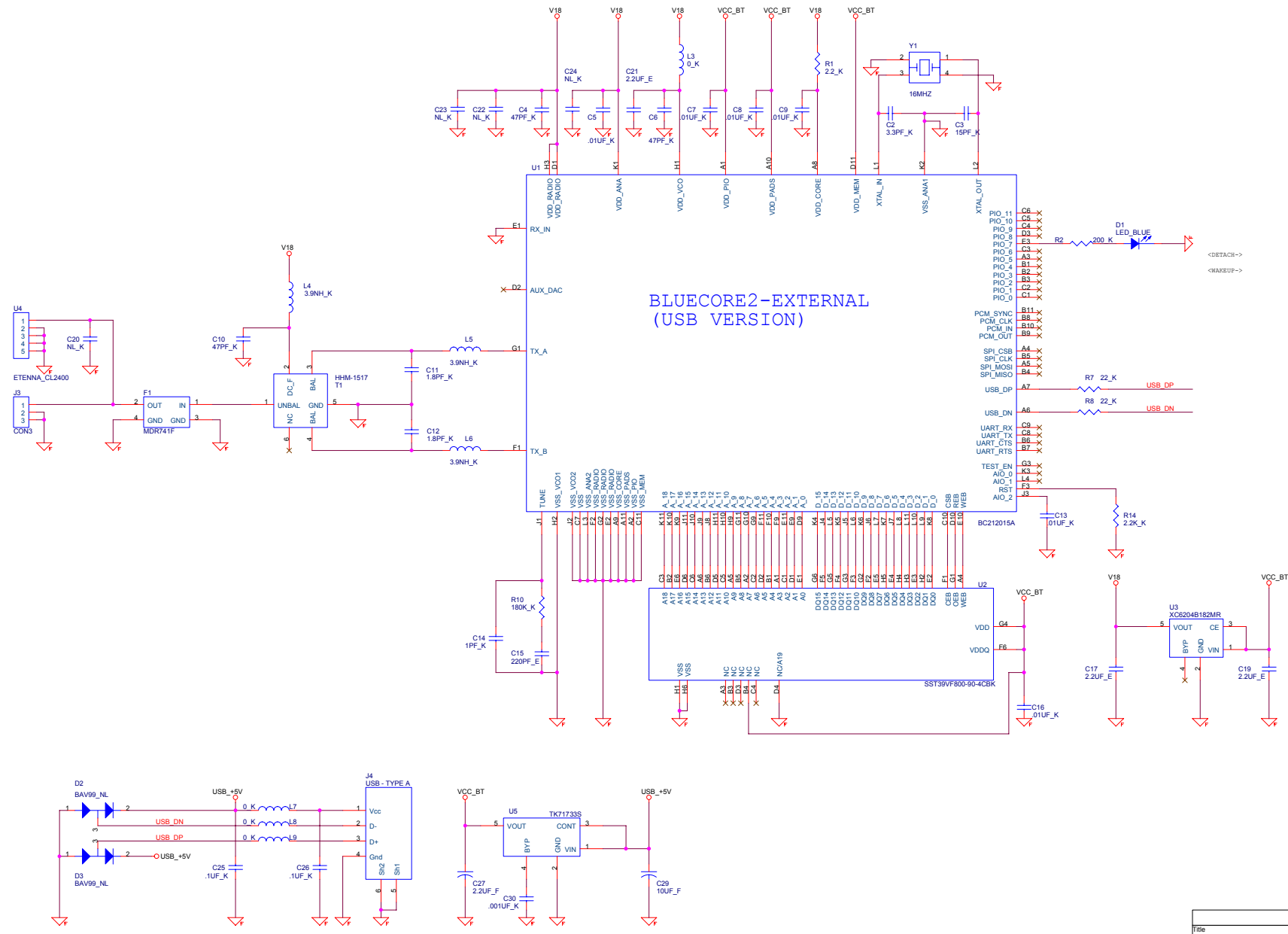


Component Suffix Table

_A: CASE A
_B: CASE B
_C: CASE C
_D: CASE D
_E: 0603
_F: 0805
_G: 1206
_H: 1210
_I: 1812
_J: 2010
_K: 0402
_L: 1808
_NI: NOT INSTALL

Actiontec Electronics, Inc.		
Title	BTM200B 0500	
Size	Document Number	Rev
C	COVER PAGE	2B
Date:	Friday, June 27, 2003	Sheet 1 of 2






BLUECORE2-EXTERNAL (USB VERSION)



Title		BTM200B 0500
Size	Document Number	Rev
C	BLUETOOTH	2B
Date:	Friday, June 27, 2003	Sheet 2 of 2

NOTES: UNLESS OTHERWISE SPECIFIED:

1. RESISTANCE VALUES ARE IN OHMS.

<p>HIGHEST REFERENCE DESIGNATION ANT4 C176 D3 J3 L16 Q3 R92 S3 T3 TP58 U22 NOTE: R89 R90 R92 USED FOR 802.11G OPTION  ONLY.</p>
<p>REFERENCE DESIGNATIONS NOT USED L4 L6 L9 L10 S2 R67 T2 TP8 TP16 TP33 TP34 U10</p>
<p> = OPTIONAL COMPONENT</p>
<p> = NEVER USED COMPONENT C1 C6 C7 C12 C16 C35 C50 C61 C65 C95 C119 C156 C159 C160 C167 J1 J3 R1 R3 R6 R8 R18 R20 R29 R74 R75 R76 R78 R80 R82 R85 R86 U17 U18 U19 U21</p>
<p> = COMPONENT NOT POPULATED IN SINGLE BAND 802.11G - ONLY RADIO. SEE TABLE 2</p>
<p> = COMPONENT MODIFIED IN SINGLE BAND 802.11G - ONLY RADIO. SEE TABLE 1</p>

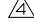


TABLE 1 - CHANGES FOR 802.11G - ONLY RADIO		
REF DES	NEW VALUE	NEW REF DES
C30	7 PF	C30
C37	0 OHM	R89
C53	7 PF	C53
C55	7 PF	C55
C57	7 PF	C57
C111	0 OHM	R90
C124	0 OHM	R91


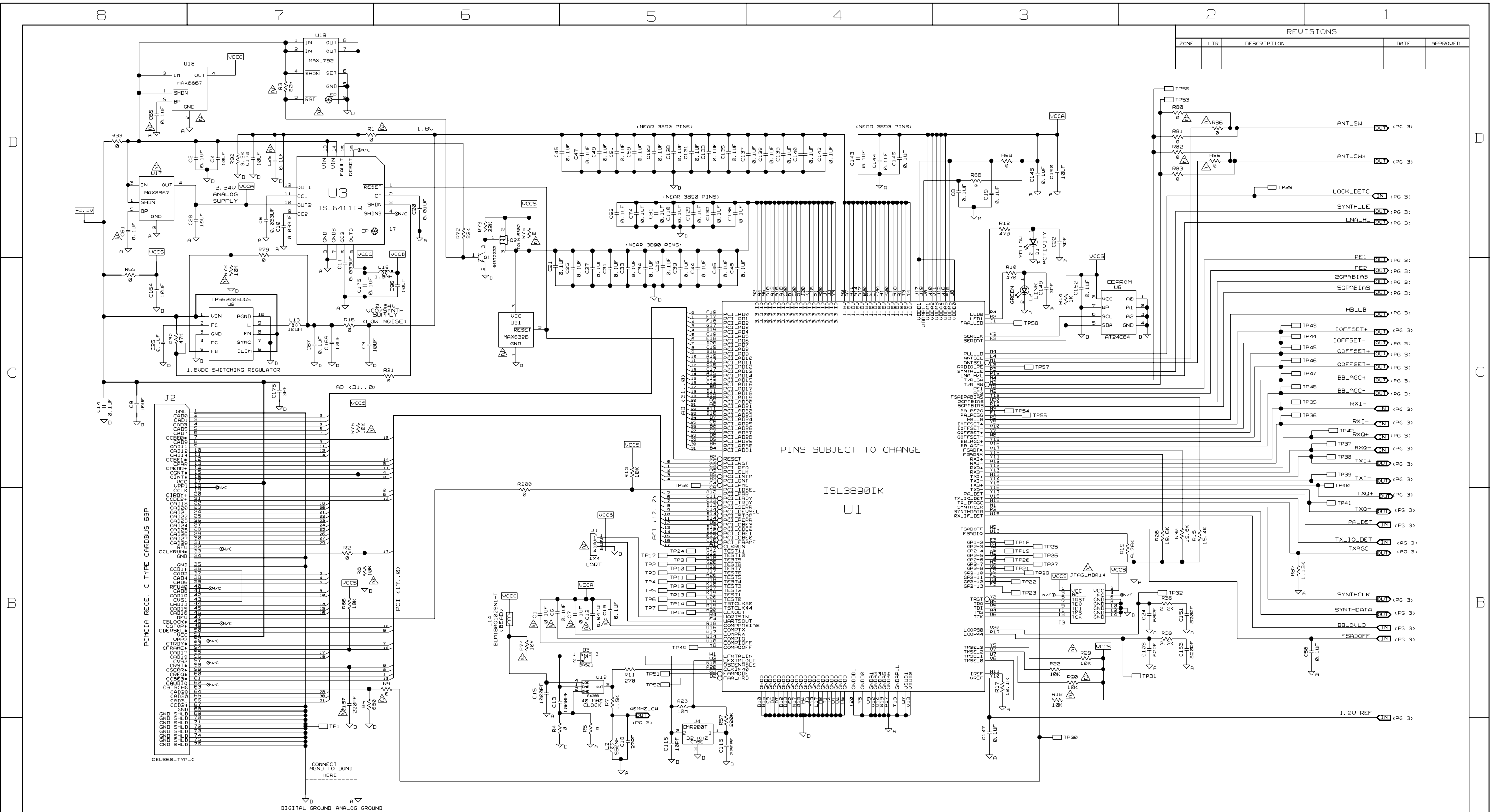


TABLE 2 - COMPONENTS NOT POPULATED IN 802.11G - ONLY RADIO
ANT2 ANT4 C32 C43 C54 C56 C62 C73 C78 C80 C82 C83 C85 C97 C98 C126 C134 C155 C165 L5 L8 L12 R40 R53 R56 R58 R60 R64 T1 T3 U9 U16

REVISIONS				
ZONE	LTR	DESCRIPTION	DATE	APPR.

ACTIONTEC	
TITLE: 802CIG	REV: 3A
ENGINEER:	DATE: 3/1/03
DRAWN BY: LAURA WANG	SHEET: 1 of 3

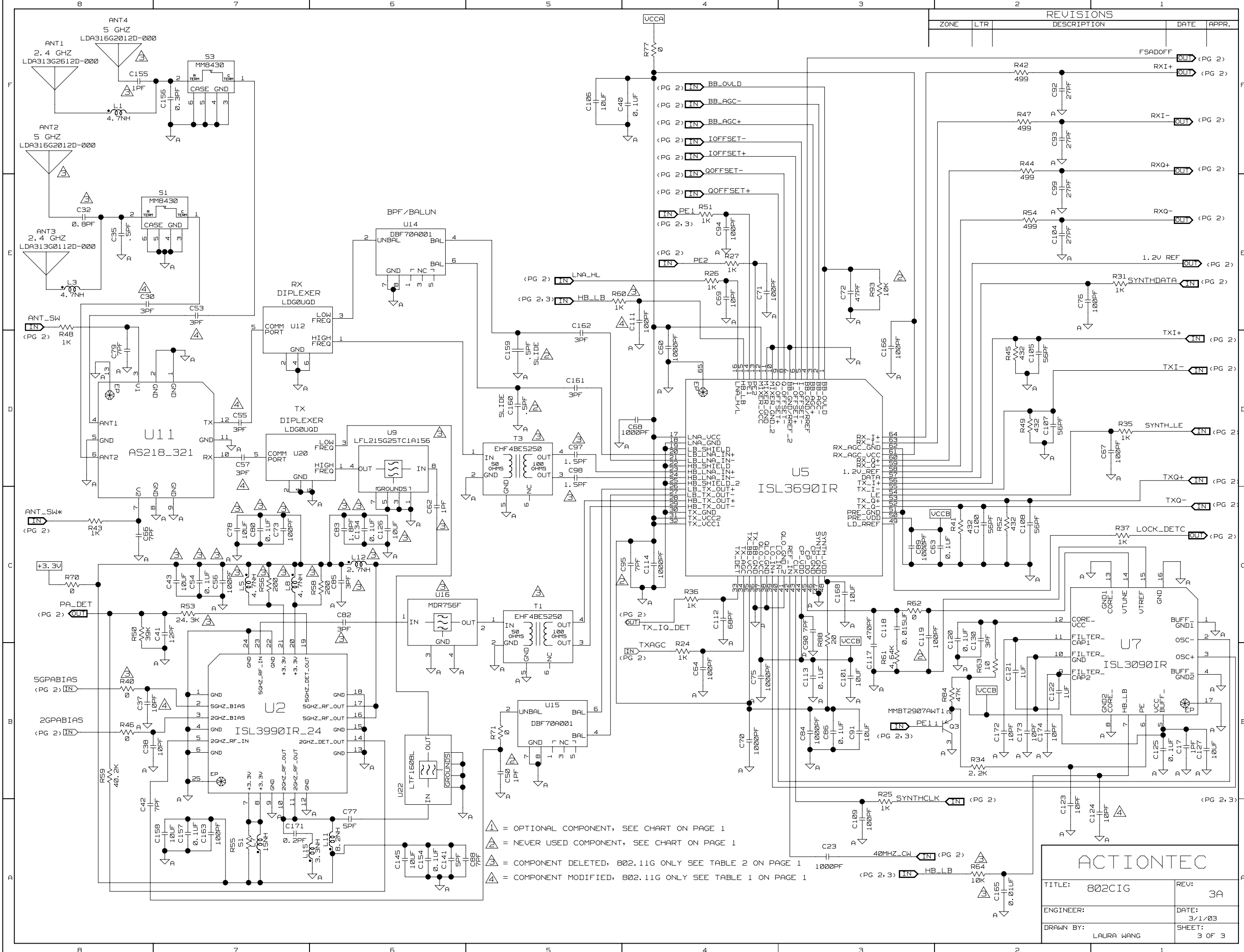
REVISIONS				
ZONE	LTR	DESCRIPTION	DATE	APPROVED



= OPTIONAL COMPONENT, SEE CHART ON PAGE 1
 = NEVER USED COMPONENT, SEE CHART ON PAGE 1

ACTIONTEC	
TITLE: 802CIG	REV: 3A
ENGINEER: 3/1/03	DATE: 3/1/03
DRAWN BY: LAURA WANG	SHEET: 2 OF 3

REVISIONS				
ZONE	LTR	DESCRIPTION	DATE	APPR.



- ⚠ = OPTIONAL COMPONENT, SEE CHART ON PAGE 1
- ⚠ = NEVER USED COMPONENT, SEE CHART ON PAGE 1
- ⚠ = COMPONENT DELETED, 802.11G ONLY SEE TABLE 2 ON PAGE 1
- ⚠ = COMPONENT MODIFIED, 802.11G ONLY SEE TABLE 1 ON PAGE 1

ACTIONTEC

TITLE: 802CIG	REV: 3A
ENGINEER:	DATE: 3/1/03
DRAWN BY: LAURA WANG	SHEET: 3 OF 3