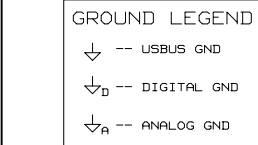
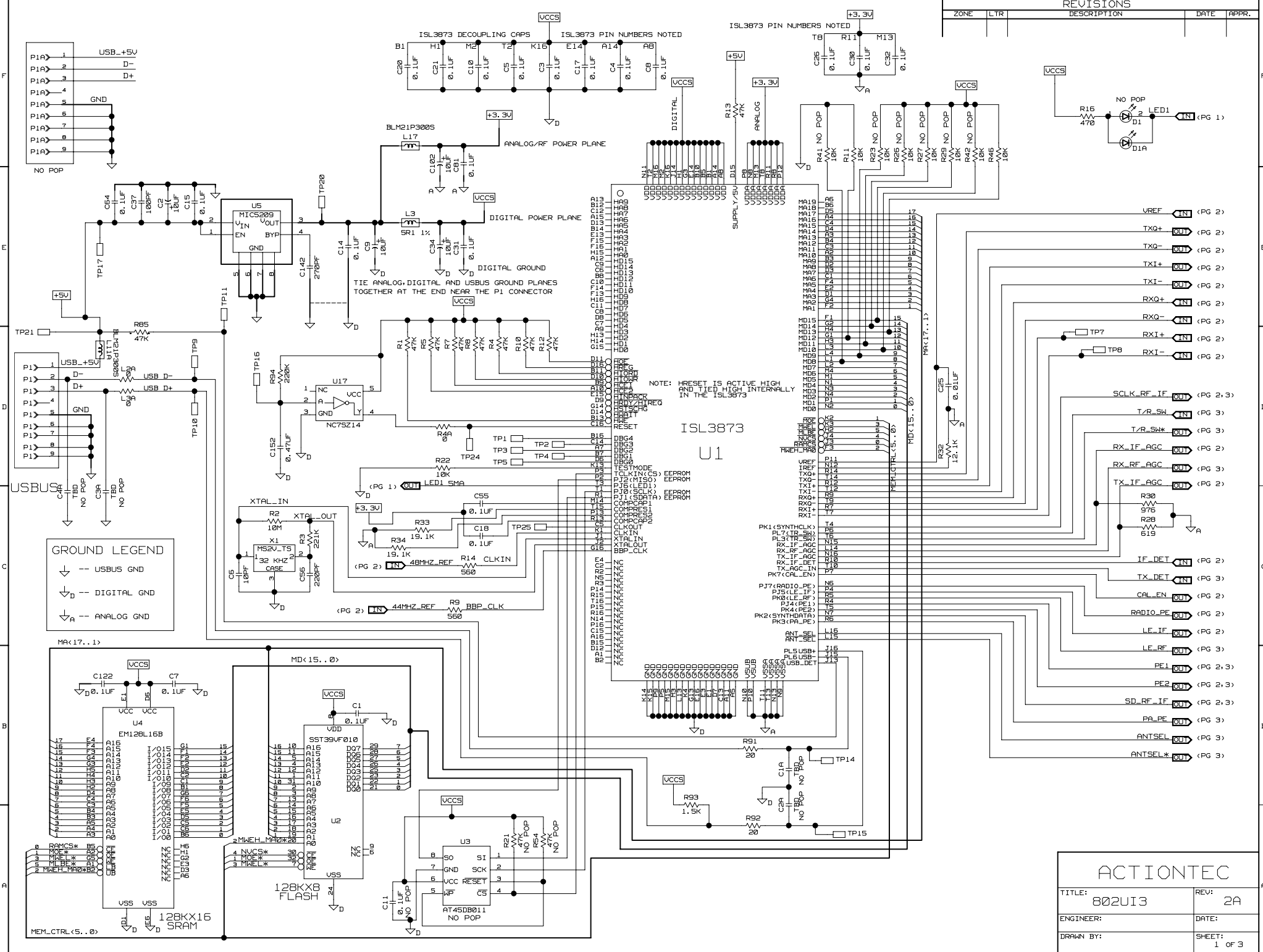


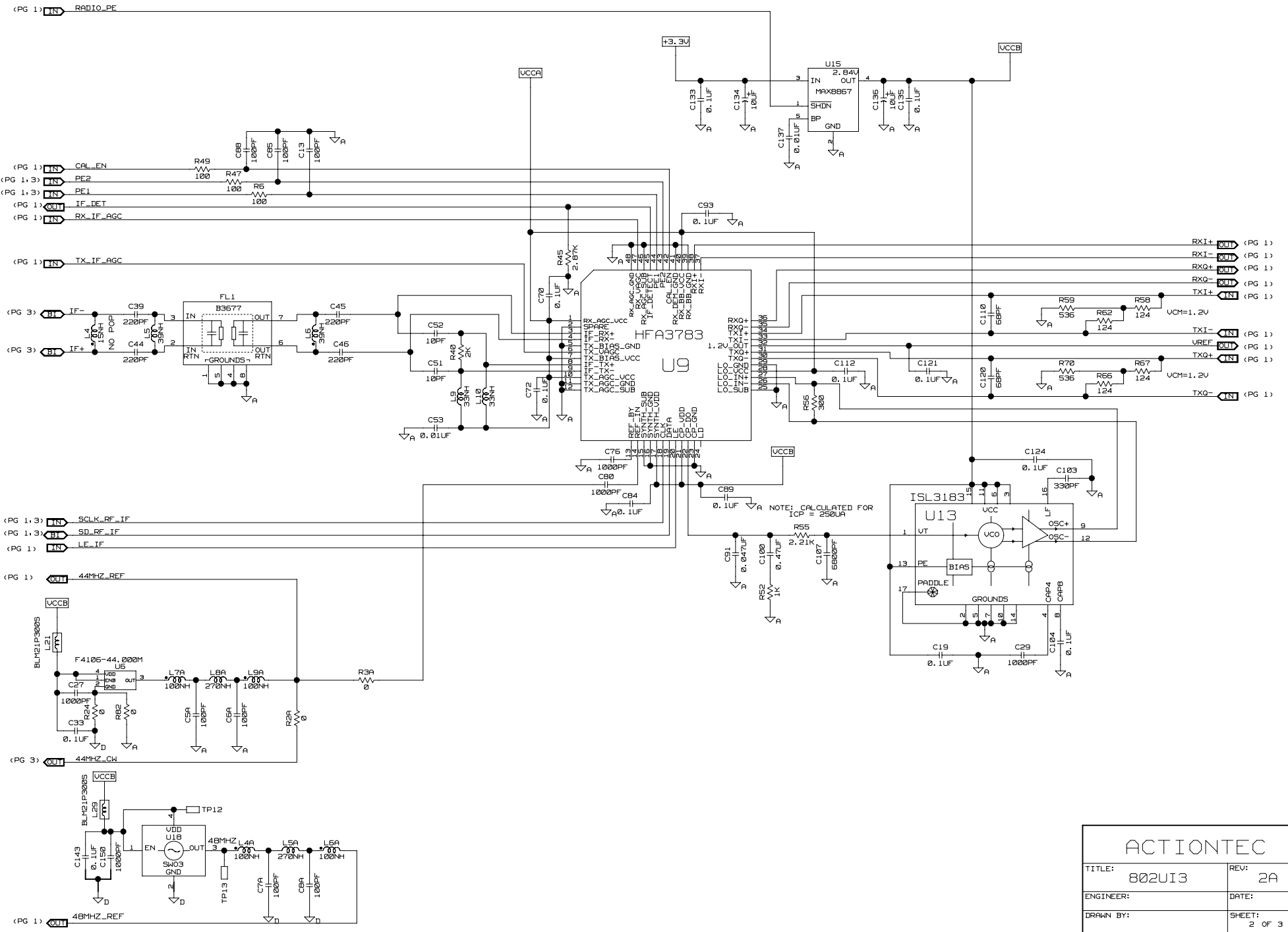
REVISIONS				
ZONE	LTR	DESCRIPTION	DATE	APPR.



NOTE: HRESET IS ACTIVE HIGH AND TIED HIGH INTERNALLY IN THE ISL3873

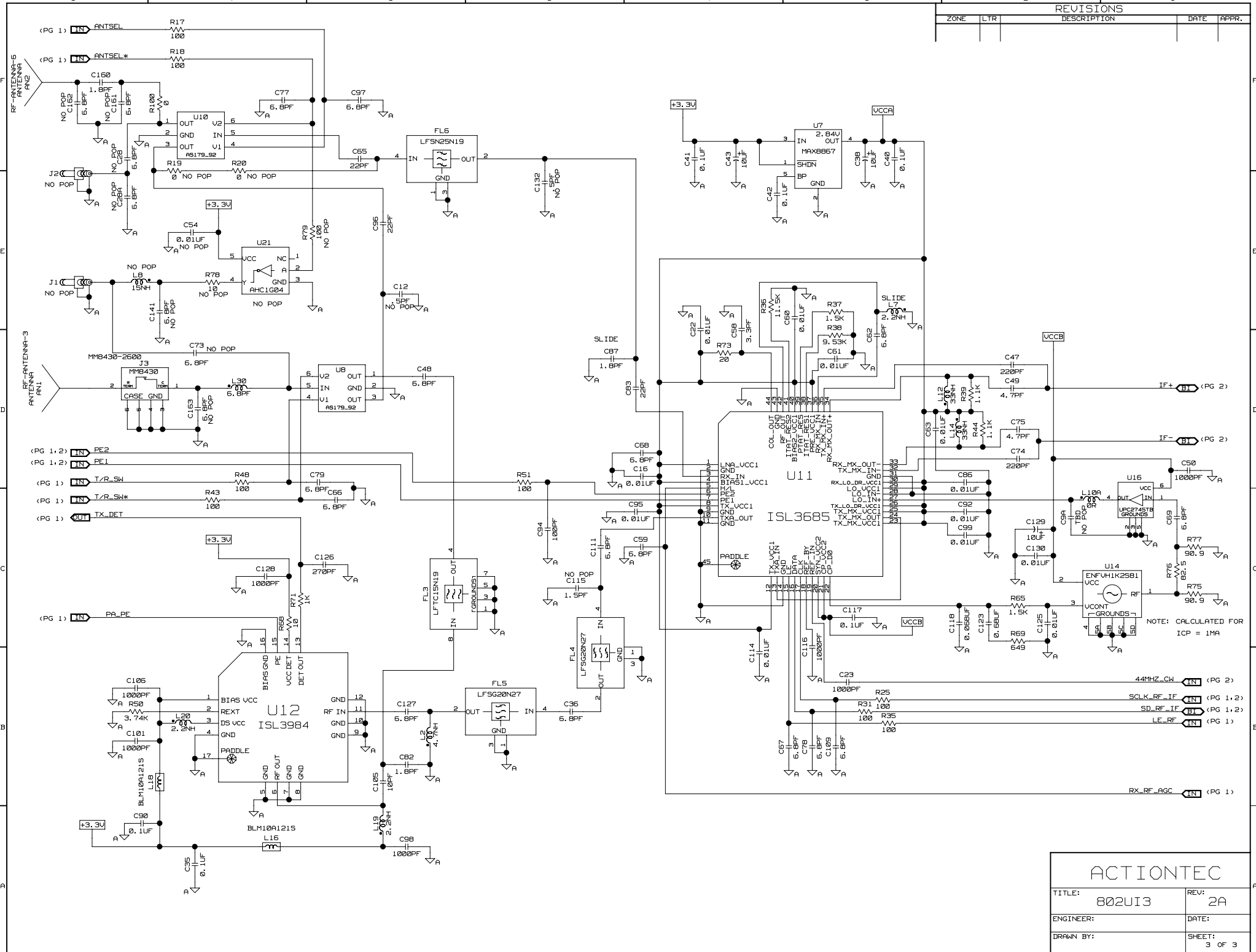
ACTIONTEC	
TITLE: 802UI3	REV: 2A
ENGINEER:	DATE:
DRAWN BY:	SHEET: 1 OF 3

REVISONS		DATE	APPR.
ZONE	LTR		



ACTIONTEC	
TITLE: 802UI3	REV: 2A
ENGINEER:	DATE:
DRAWN BY:	SHEET: 2 OF 3

REVISIONS				
ZONE	LTR	DESCRIPTION	DATE	APPR.



ACTIONTEC	
TITLE: 802U13	REV: 2A
ENGINEER:	DATE:
DRAWN BY:	SHEET: 3 OF 3