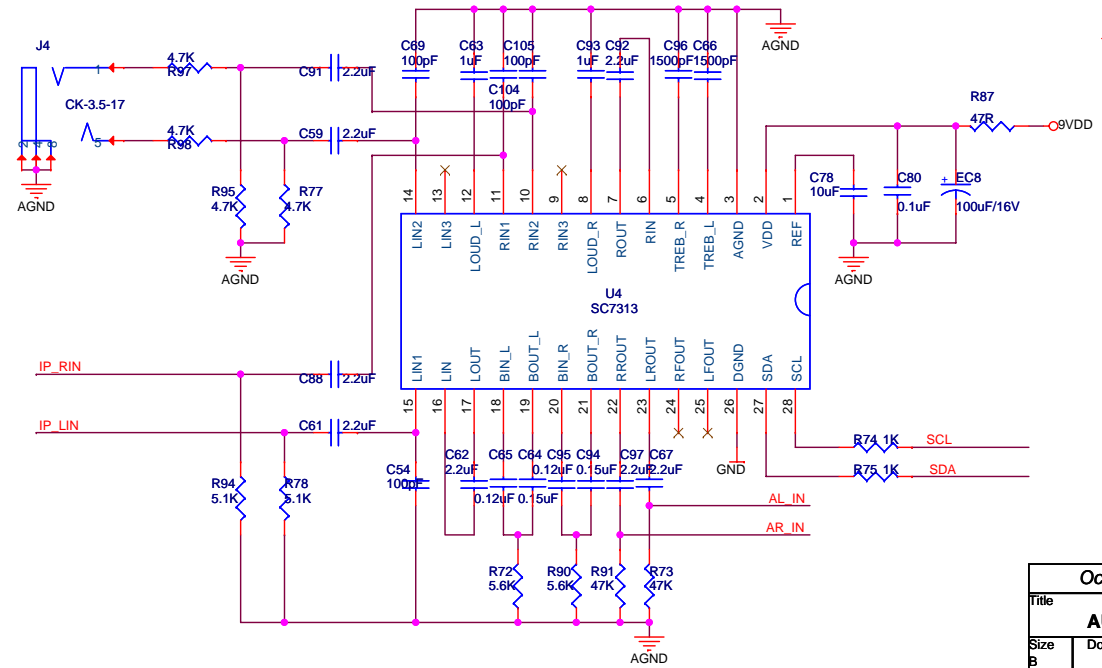
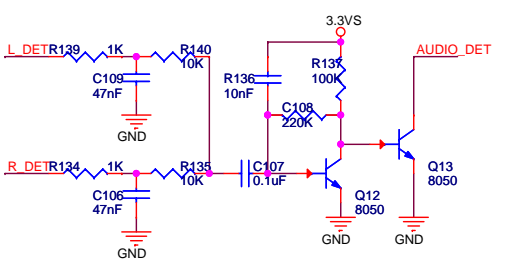
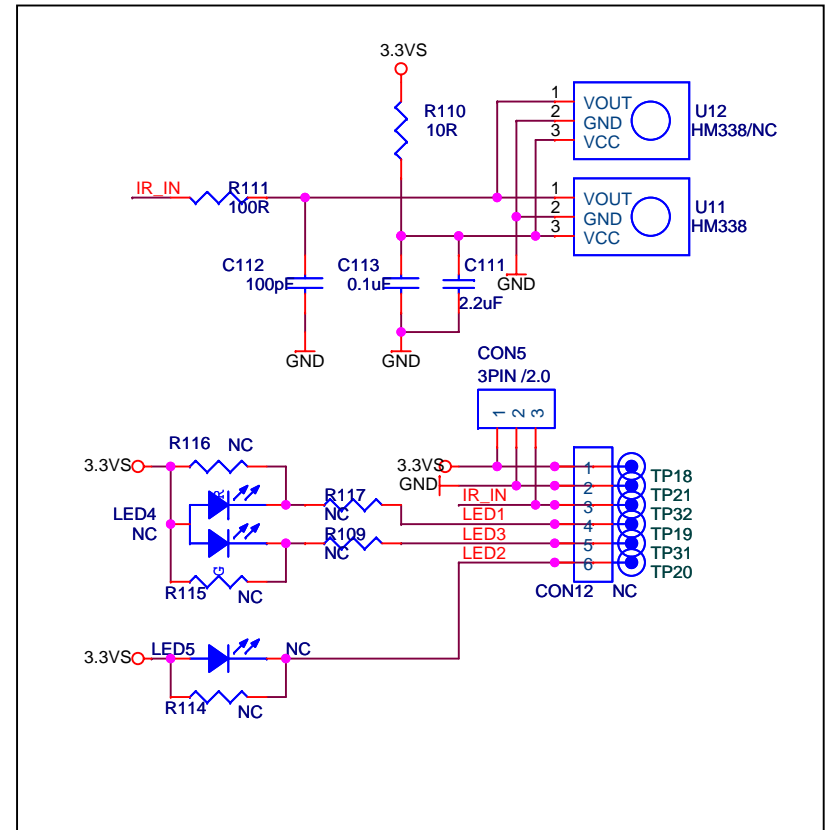
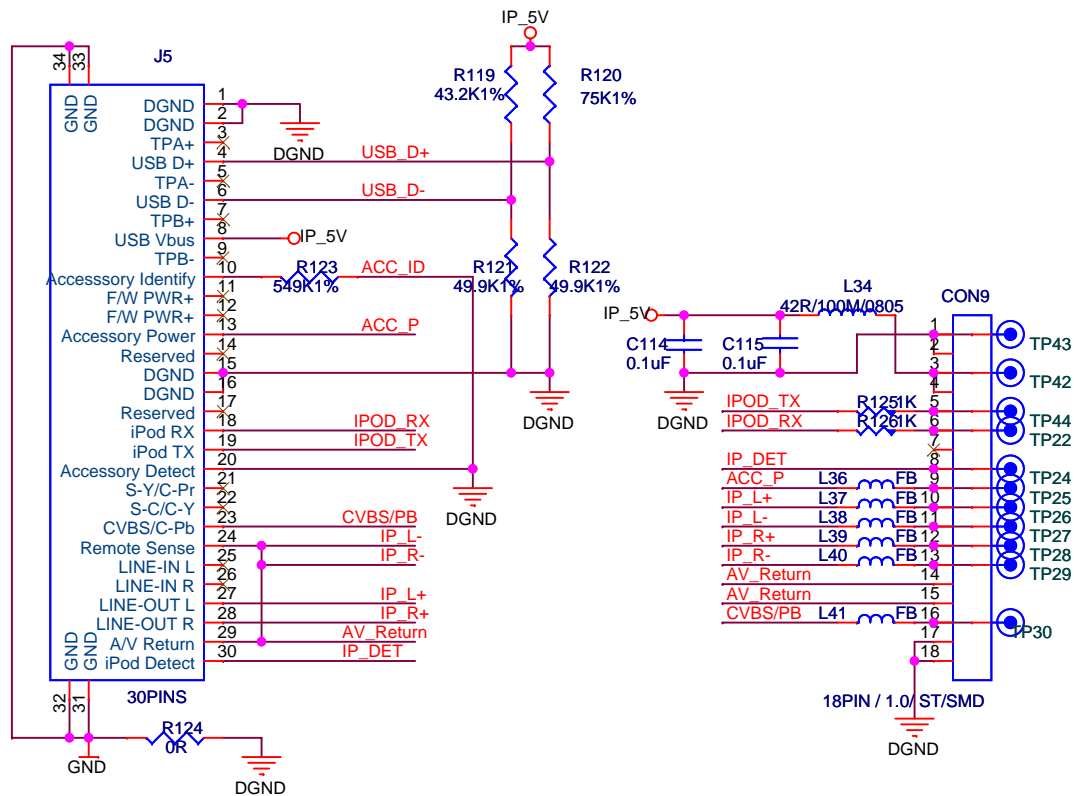
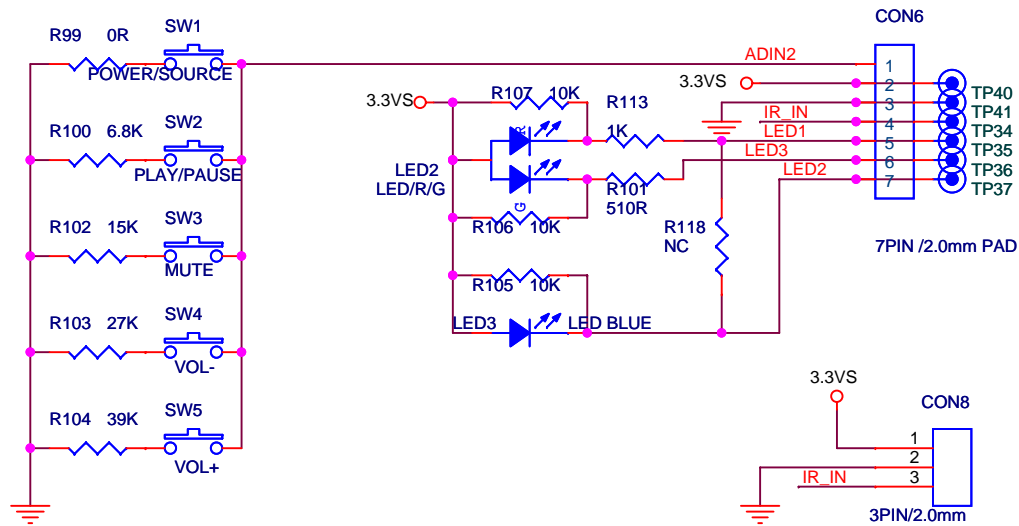


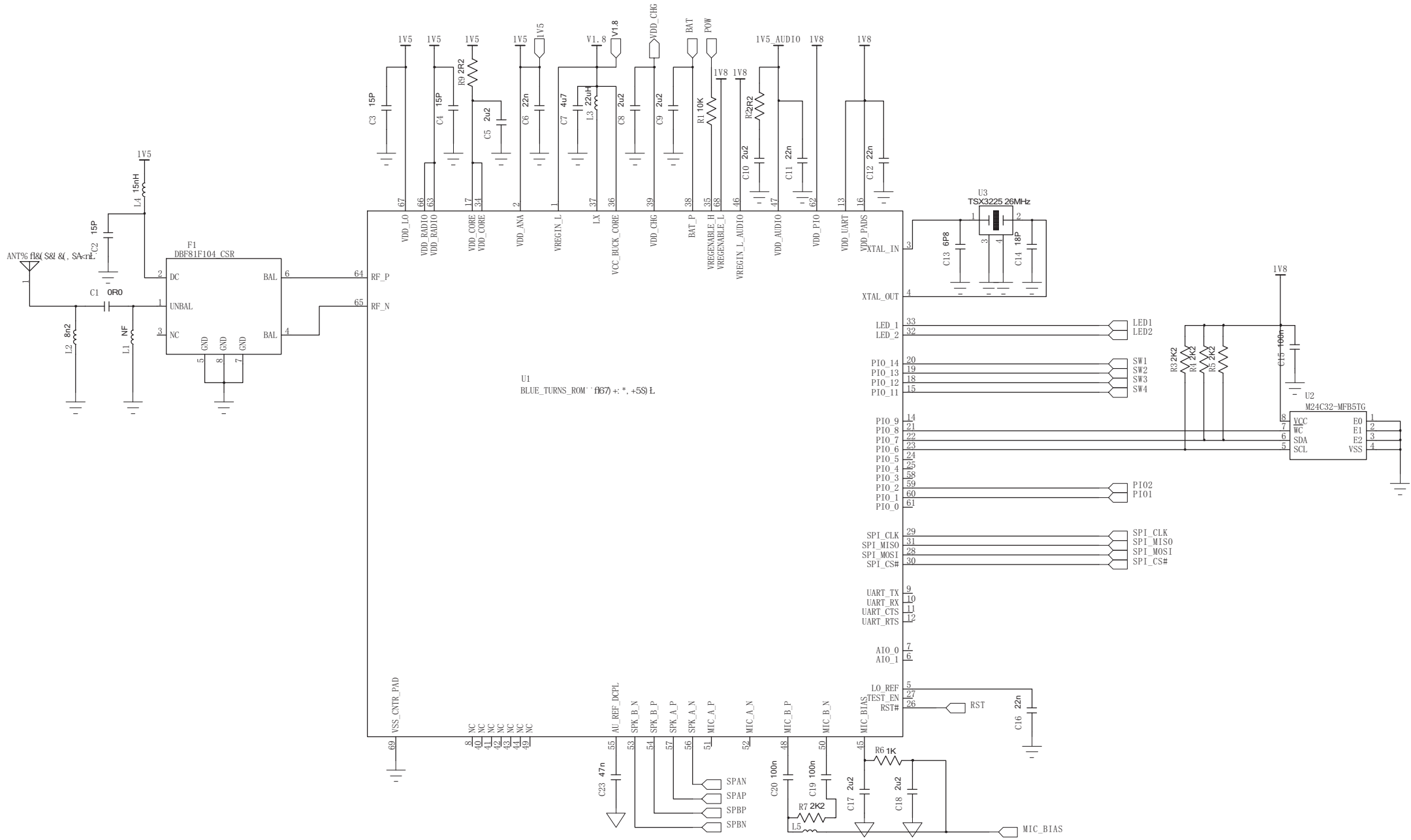
- AUDIO_DET >> AUDIO_DET
- MUTE >> MUTE
- SD >> SD
- IP_L+ >> IP_L+
- IP_L- >> IP_L-
- IP_R+ >> IP_R+
- IP_R- >> IP_R-
- BT_L+ >> BT_L+
- BT_L- >> BT_L-
- BT_R+ >> BT_R+
- BT_R- >> BT_R-
- SCL >> SCL
- SDA >> SDA
- ACC_P >> ACC_P
- A_GND >> A_GND



Ocean Star Electronic Limited		
Title	AUDIO PROCESSOR&DIGITAL AMP	
Size	Document Number	Rev
B	20133 (BTS-3)	3
Date:	Tuesday, November 13, 2012	Sheet 2 of 4



Ocean Star Electronic Limited		
Title		
iPod&CONNECTOR&KEY&IR&LED		
Size	Document Number	Rev
A4	20133 (BTS-3)	2
Date:	Wednesday, October 24, 2012	Sheet 3 of 3



BlueTooth Module