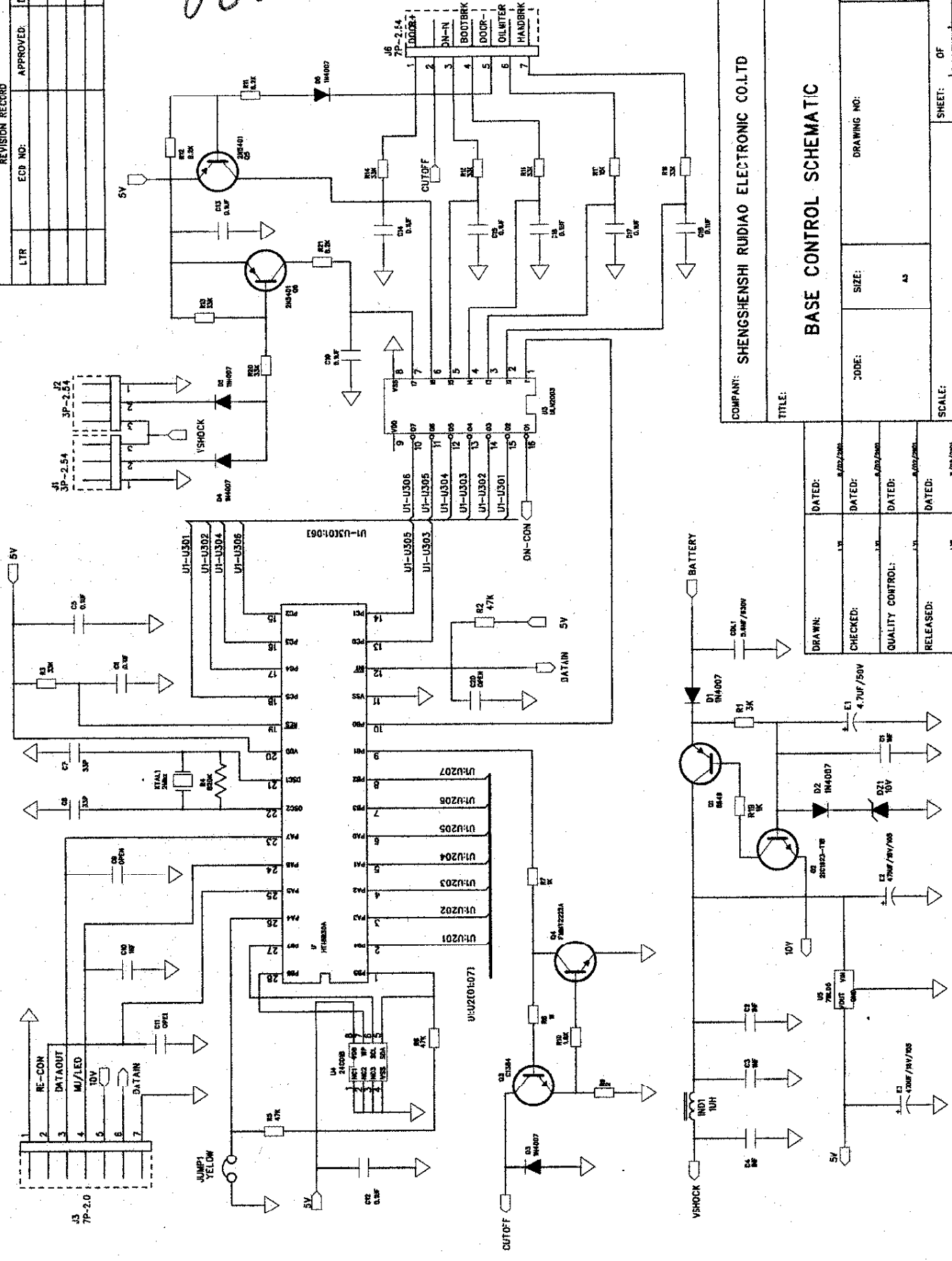


1
2
3
4
5
6

REVISION RECORD	
LTR	APPROVED: DATE:

680



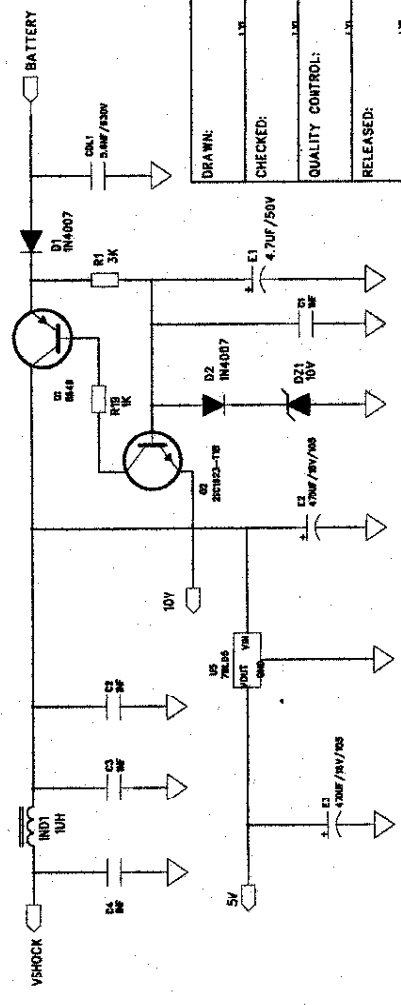
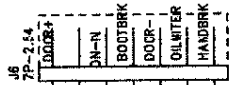
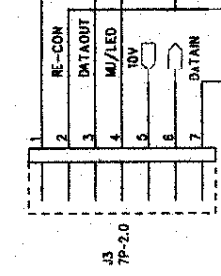
COMPANY: SHENGSHENSHI RUIDIAO ELECTRONIC CO.LTD

TITLE: BASE CONTROL SCHEMATIC

CODE: SIZE: REV: 3

SCALE: SHEET: OF

DRAWN:	DATED:
CHECKED:	DATED:
QUALITY CONTROL:	DATED:
RELEASED:	DATED:



Bill Of Materials for JS-MLG433.sch on Thu Jul 10 11:53:22 2003

Ite	Qty	Reference	VALUE	TOLERANCE
1	1	U4	24C01B	
2	1	Q2	2SC1623-T1B	
3	1	Q3	C1384	
4	1	Q4	FMMT2222A	
5	1	U5	78L05	
6	2	Q5-6	2N5401	
7	5	C1-4 C10	1NF	10%
8	2	C7-8	33P	5%
9	3	C9 C11 C20	OPEN	
10	1	E1	4.7UF/50V	
11	2	E2-3	470UF/16V/105	
12	10	C5-6 C12-19	0.1UF	20%
13	1	CDL1	5.6NF/630V	5%
14	9	D1-9	1N4007	
15	1	DZ1	10V	
16	1	U1	HT48R30A	
17	1	IND1	1UH	10%
18	1	J4	12P-3.96	
19	3	J1-2 J5	3P-2.54	
20	1	J3	7P-2.0	
21	1	J6	7P-2.54	
22	1	JUMP1	YELLOW	
23	1	R4	820K	5%
24	1	R10	1.8K	5%
25	1	R17	15K	5%
26	3	R7-8 R19	1K	5%
27	1	R9	2	5%
28	7	R3 R13-16 R18 R20	33K	5%
29	1	R1	3K	5%
30	3	R2 R5-6	47K	5%
31	3	R11-12 R21	8.2K	5%
32	4	RLY1-2 RLY4-5	SRD-12VDC-SL-C	
33	1	RLY3	SLE-12VDC-SL-2A	
34	1	Q1	B649	
35	2	U2-3	ULN2003	
36	1	XTAL1	2Mhz	0.3%