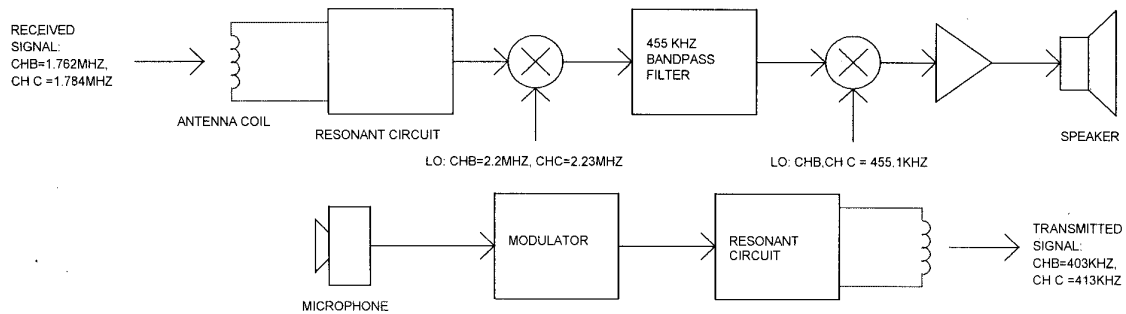


## Headset:



For the receiving parts, the antenna coil receives the signal (1.762MHz / 1.784MHz) from the base. The received signal is then mixed with the LO (2.2MHz / 2.23MHz) and pass through a 455kHz band-pass filter. The resulting signal from the filter will mixed with the second LO (455.1kHz) to give the voice signal. The voice signal will be amplified and output to the speaker.

For the transmitting parts, the electrical signal from the microphone will be amplitude-modulated and up-converted to 403kHz/413kHz in the modulator. The RF signal will then be transmitted out by the resonant circuit.

