

nasacom

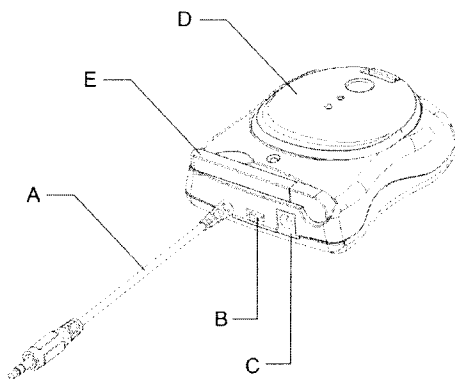
Instruction Manual

1. Introduction

Hear-Bud is a wireless auditory assistance device designed for persons who are handicapped in listening and expect to enjoy audio signal with the freedom of wireless.. Hear-Bud can be used for auricular training in an education institution, for auditory assistance at places of public gatherings, such as a church, theater, auditorium.

2. User Manual

2.1 Transmitter



A – 3.5 mm cord to audio source jack plus antenna function

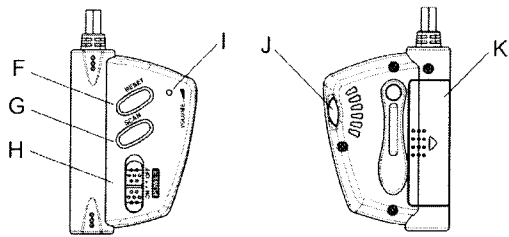
B – Channel selection switch
4 channels are available for selection manually

C – Power adaptor
110V AC to 9V DC

D – Battery case cover
3 AAA size 1.5V batteries

E – Pseudo antenna

2.2 Receiver



F – Reset Button

To reset the receiving frequency to the lowest frequency band

G – Scan button

To scan the closest available frequency channel

H – On/off switch

To power on/off the receiver

I – Power indication LED

Turn on/off when power is on/off respectively

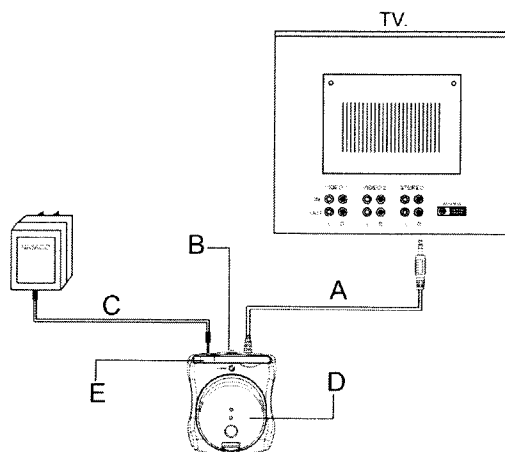
J – Volume level control

To adjust the audio volume output of the receiver

NOTE: This device complies with Part 15 of the FCC Rules. Operation is subject to the following two conditions:

- (1) This device may not cause harmful interference; and
- (2) This device must accept any interference received, including interference that may cause undesired operation.”

2.3.Operation Descriptions



- 2.3 Figure 1 shows the connectivity diagram of Hear-Bud transmitter for connection of the TV set and power. Select one of the 4 radio channels by switching the channel selection switch.
- 2.4 Switch on the power at the receiver using On/off switch.
- 2.5 Press the reset button once to reset the receiver
- 2.6 Press the scan button to scan the active radio channel
- 2.7 If the scanned channel is not the one you expected, press scan again OR press reset and than scan again.

NOTE: The manufacturer is not responsible for any radio or TV interference caused by unauthorized modifications to this equipment. Such modifications could void the User's authority to operate the equipment. This device is designed for and to be sold to handicapped people only.