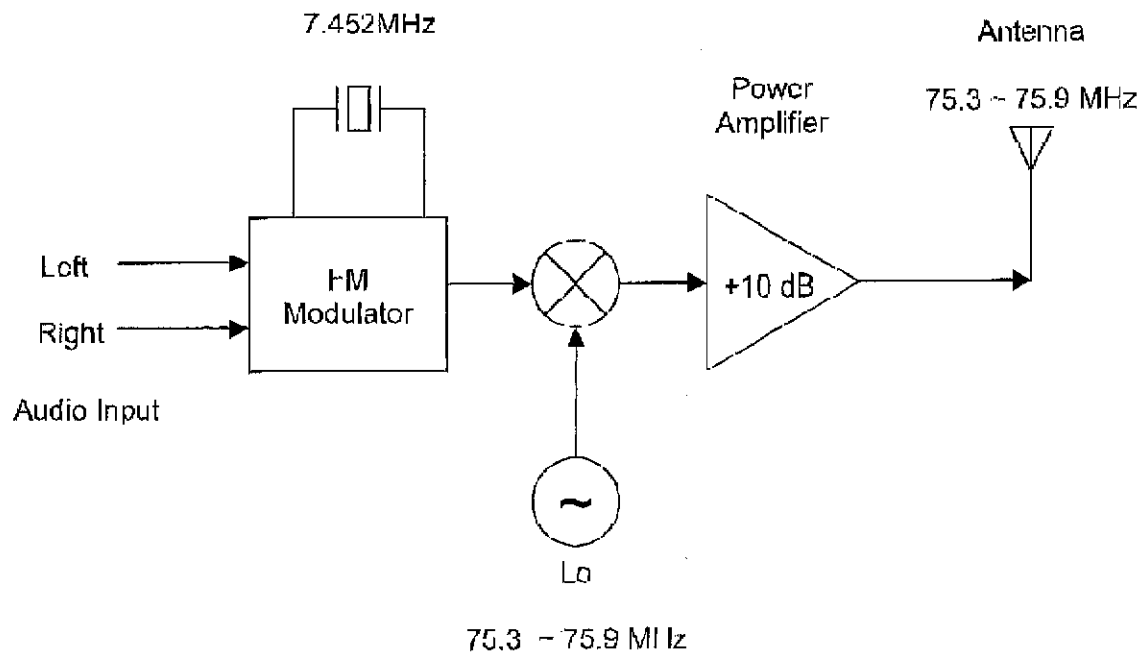


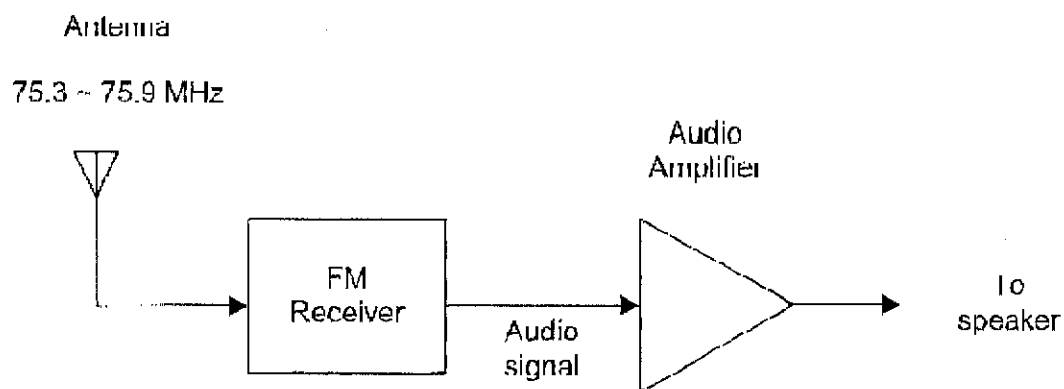
## Block Diagrams and Operation Descriptions

### Transmitter



Analog signals are inputted into the FM Modulator to form the multiplexed FM signal and then upconverted to 75.3 - 75.9 MHz. The RF signal is then amplified by a power amplifier and radiated through the internal antenna.

### Receiver



The RF signal from the transmitter is received through the antenna. The signal is then downconverted and demodulated by the FM receiver IC. The audio signal is amplified and fed into the speakers to get the acoustic signal.