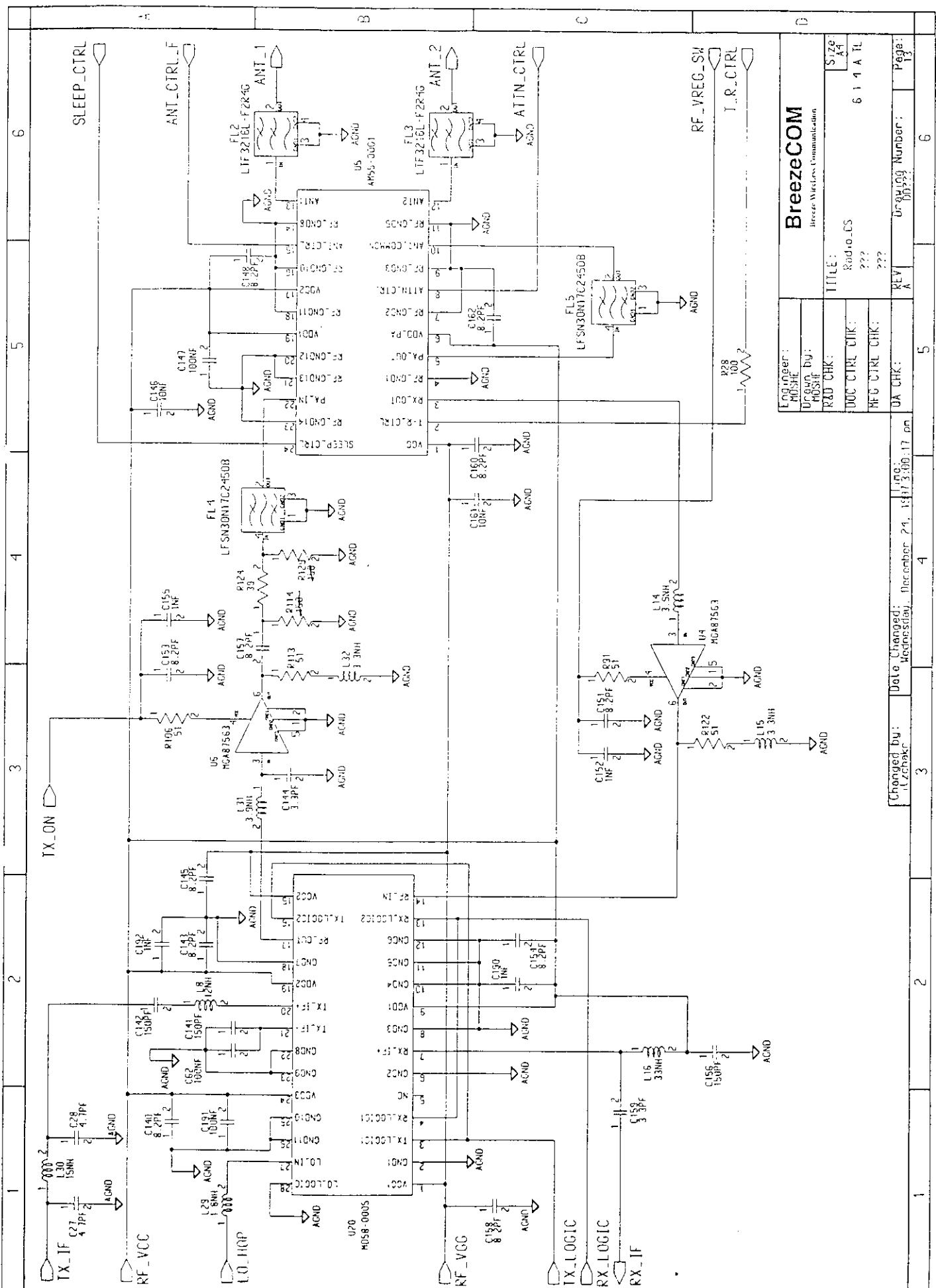


FCC requirements § 2.1033 (b)(4), (11)

**CIRCUIT DESCRIPTION.
SCHEMATIC DIAGRAM AND BLOCK DIAGRAM.**

This page is followed by the SA-PC transceiver description, antennas description, block diagram and the schematic diagram, hopping sequence on 20 pages.



BreezeCOM
Breeze Wireless Communication

Engineer: MDSHE
 Drawn by: MDSHE
 R&D CHK: ???
 DDC CTRL CHK: ???
 BEG CTRL CHK: ???

REV: A

UIC: Rodio_CS

SIZE: 44

6 1 1 A TL

Page: 13

Drwg. No: 0001

Drwg. No: 0001

Drwg. No: 0001

Drwg. No: 0001

Drwg. No: 0001

Drwg. No: 0001

Drwg. No: 0001

Drwg. No: 0001

Drwg. No: 0001

Drwg. No: 0001

Drwg. No: 0001

Drwg. No: 0001

Drwg. No: 0001

Drwg. No: 0001

Drwg. No: 0001

Drwg. No: 0001