

Installed Only in 11M
 Install Only CN1168 in ACCESS

A

B

C

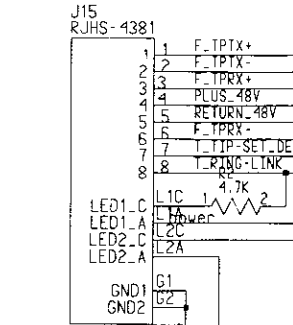
D

A

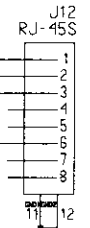
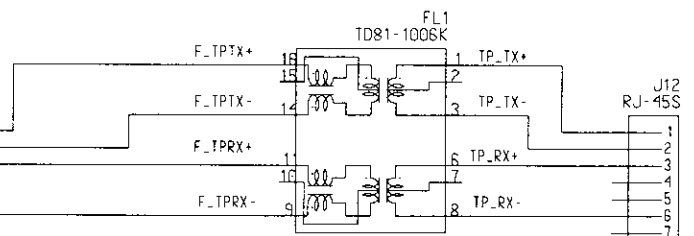
B

C

D

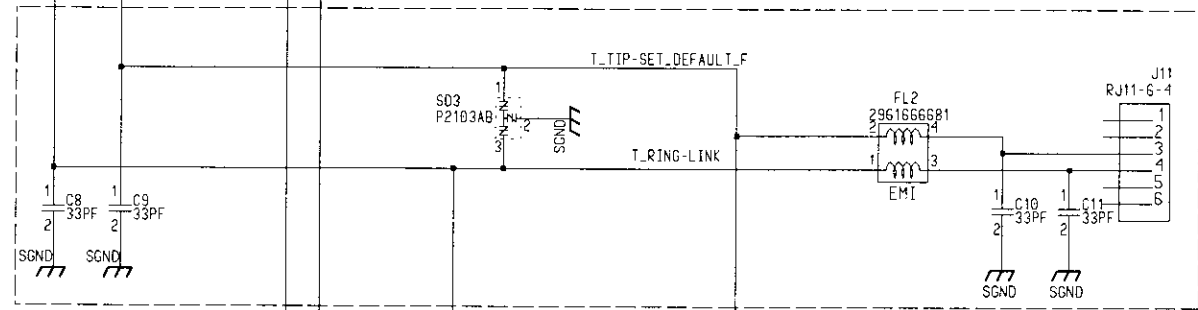


SIGNALS EXIT TO THE OUTDOOR UNIT



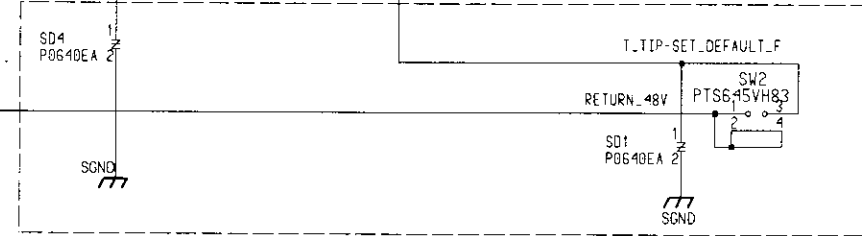
ETHERNET - ENTRY

Installed Only For ACCESS - Voice

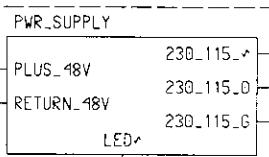


PHONE - ENTRY

Installed Only For 11M Indoor

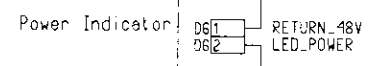


RESET SWITCH



J16 Install fs1016 250mA for 230VAC
 PF0001_PC Install fs1017 500mA for 115VAC

POWER - ENTRY



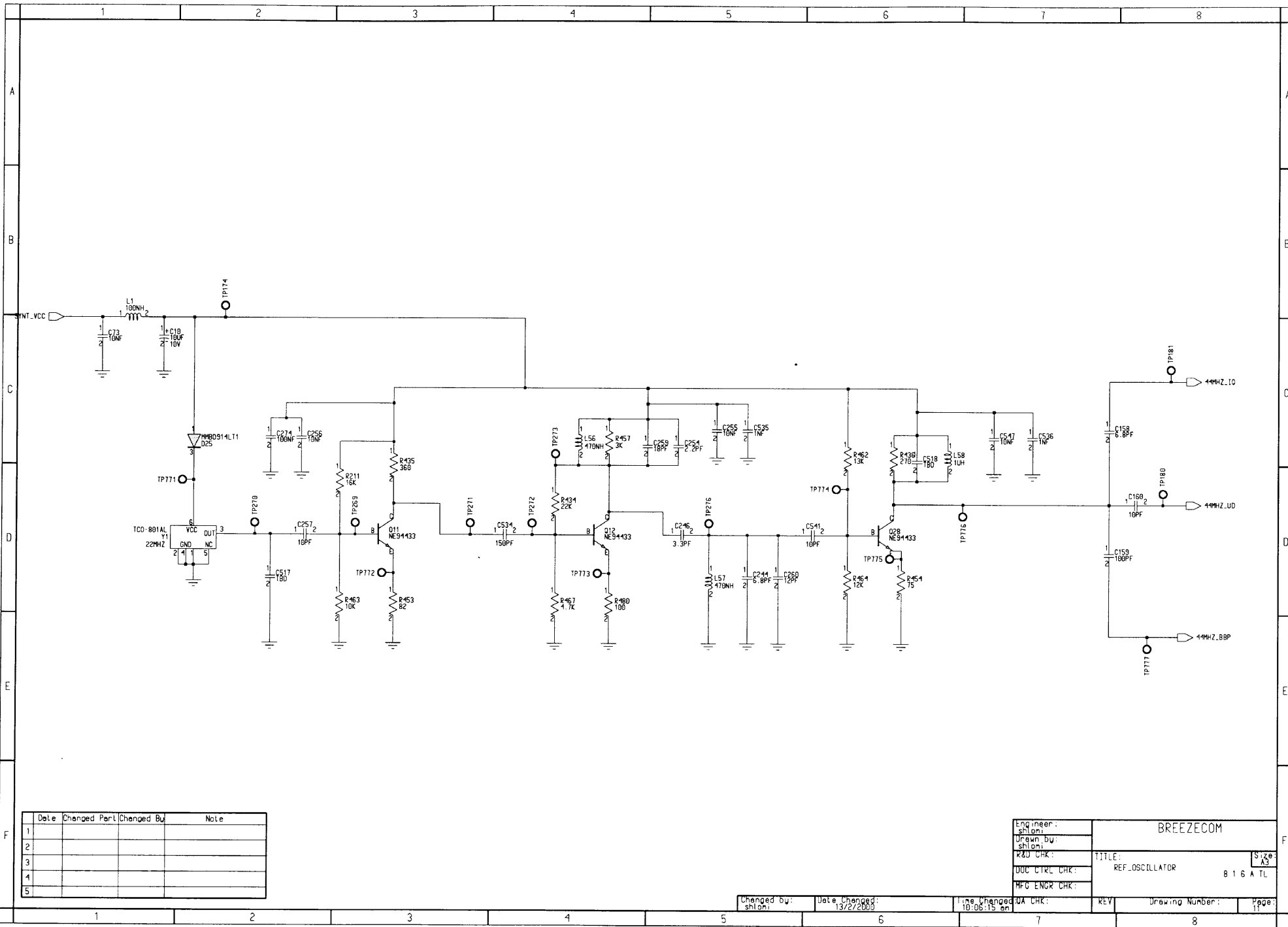
Installed Only For Access

Engineer: ~~Shay Ratsos~~
 Drawn by: ~~Shay Ratsos~~
 R3D CHK: ~~Shay Ratsos~~
 DDC CTRL CHK:
 MFG CTRL CHK:

BreezeCOM
 Breeze WireLess Communication

TITLE: DS11M - INDOOR UNIT
 PC1059
 Size: A4
 S 1 4 A TL

Changed by: Date Changed: Time: QA CHK: REV: 0 Drawing Number: Page: 1 of 2

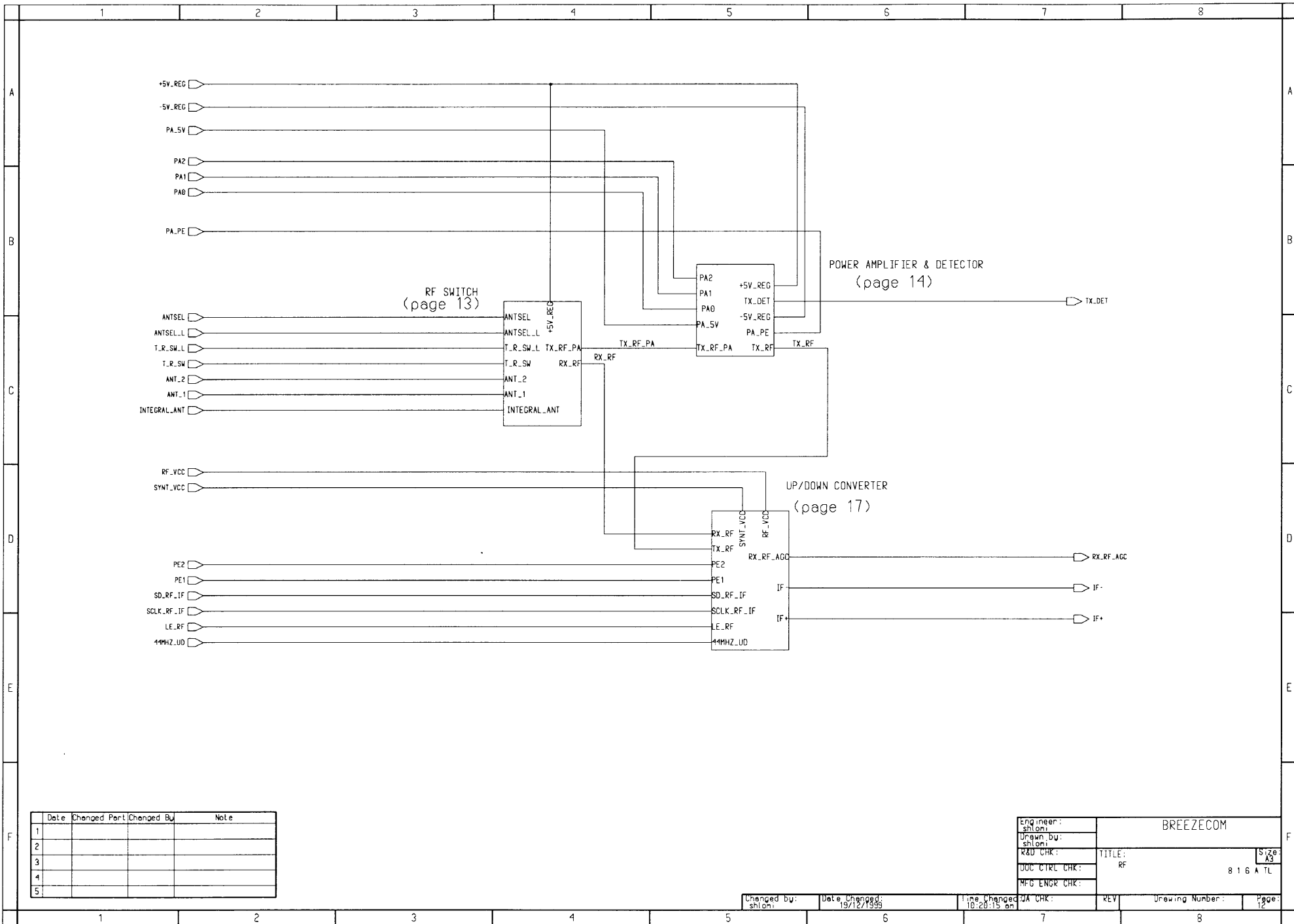


Date	Changed Part	Changed By	Note
1			
2			
3			
4			
5			

Engineer: shloni	BREEZECOM	
Drawn by: shloni		
R&D CHK:	TITLE: REF_OSCILLATOR	Size: A3
DOC CTRL CHK:	8 1 6 A TL	
MFG ENGR CHK:		

Changed by: shloni Date Changed: 13/2/2009 Time Changed: 10:06:15 on

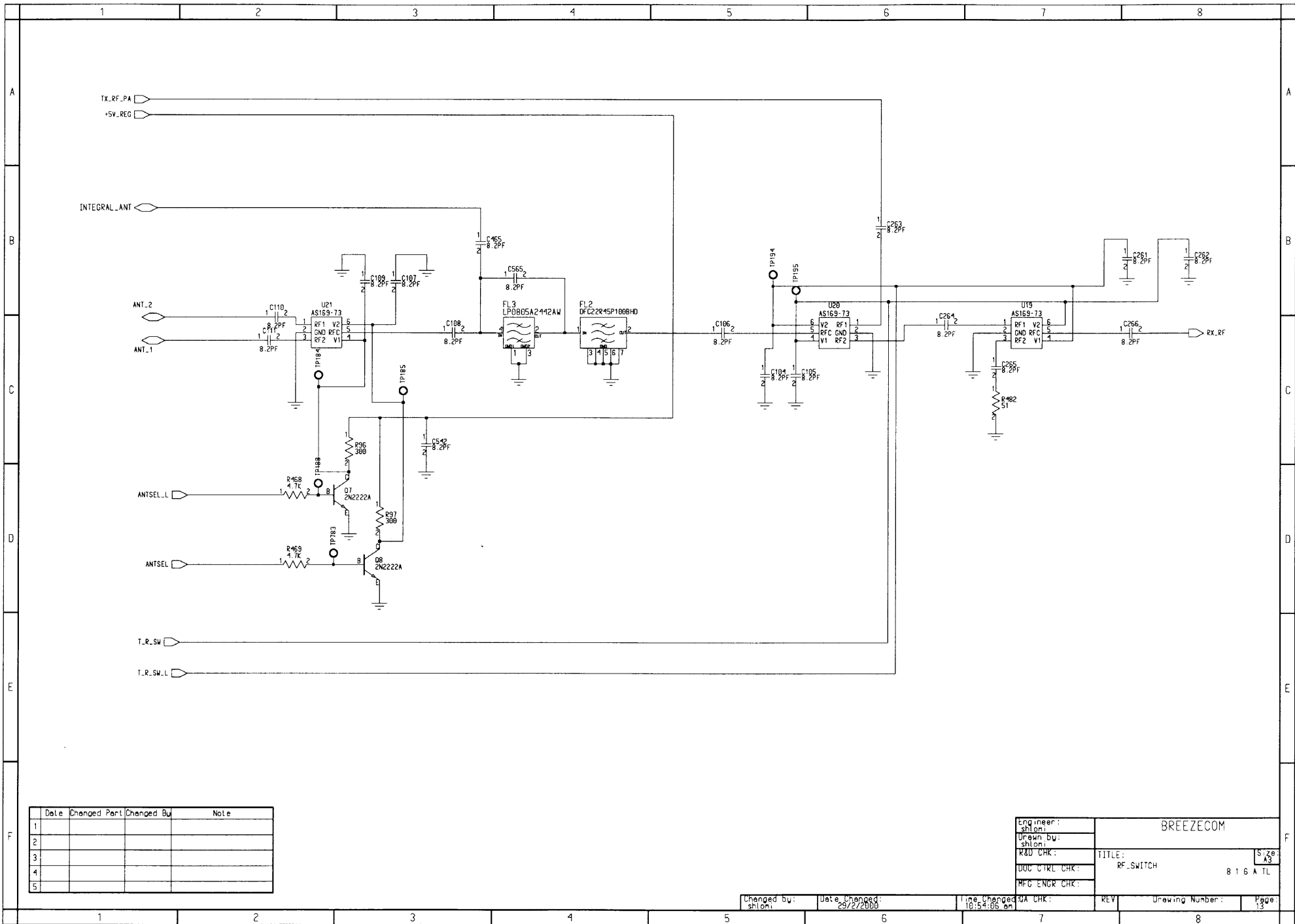
REV Drawing Number: Page:



Date	Changed Part	Changed By	Note
1			
2			
3			
4			
5			

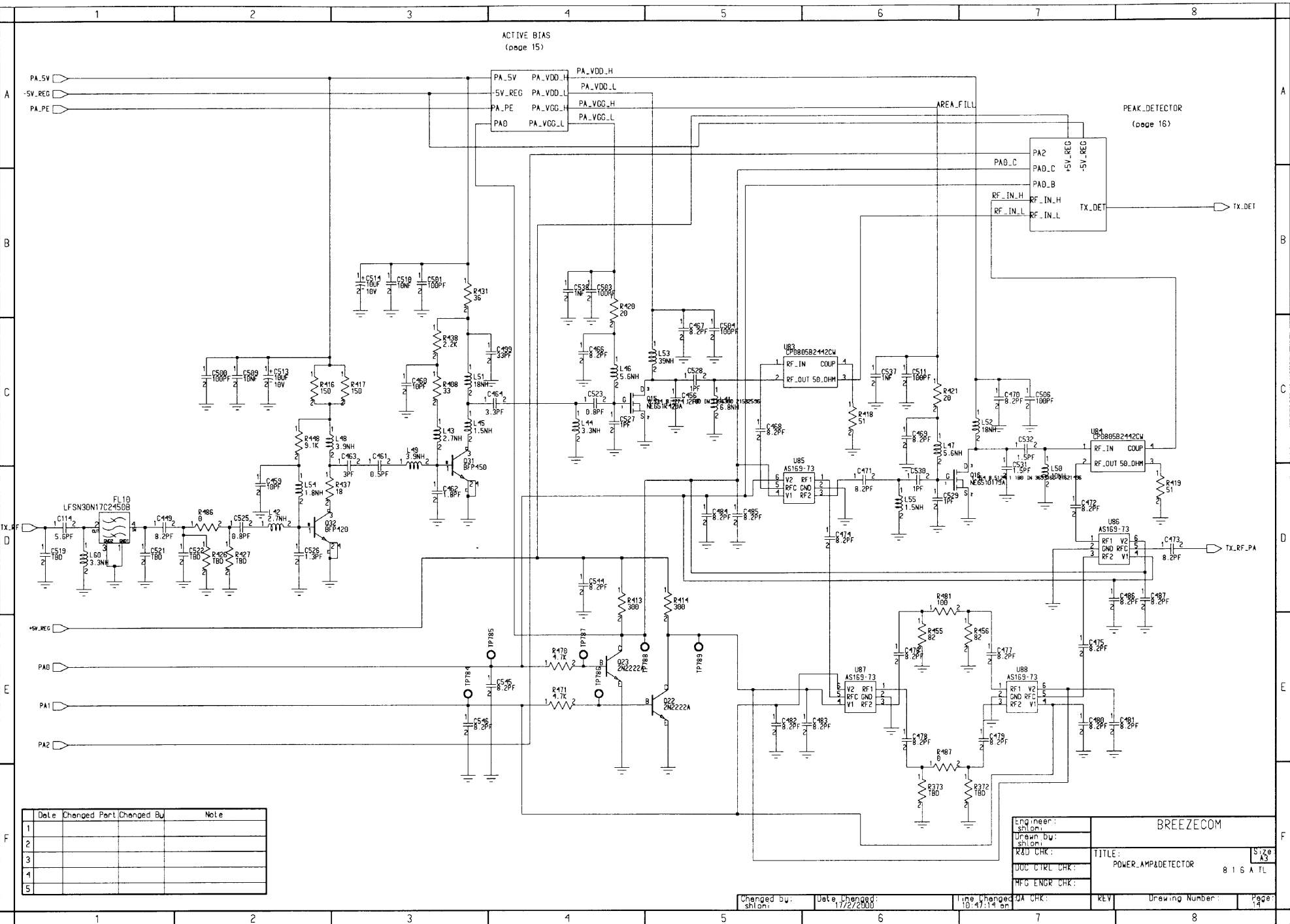
Engineer:	BREEZECOM		
Drawn By:	shlon		
R&D CHK:	TITLE:	Size	
UCC CTRL CHK:	RF	A3	
MFG ENGR CHK:		8 1 6 A TL	

Changed by:	Date Changed:	Time Changed:	UCC CHK:	REV:	Drawing Number:	Page:
shlon	19/12/1999	10:20:13 on				12



Date	Changed Part	Changed By	Note
1			
2			
3			
4			
5			

Engineer: shloni	BREEZECOM	
Drawn by: shloni		
R&D CHK:	TITLE: RF_SWITCH	Size A3
DOC CTRL CHK:		8 1 6 A TL
MFG ENGR CHK:		



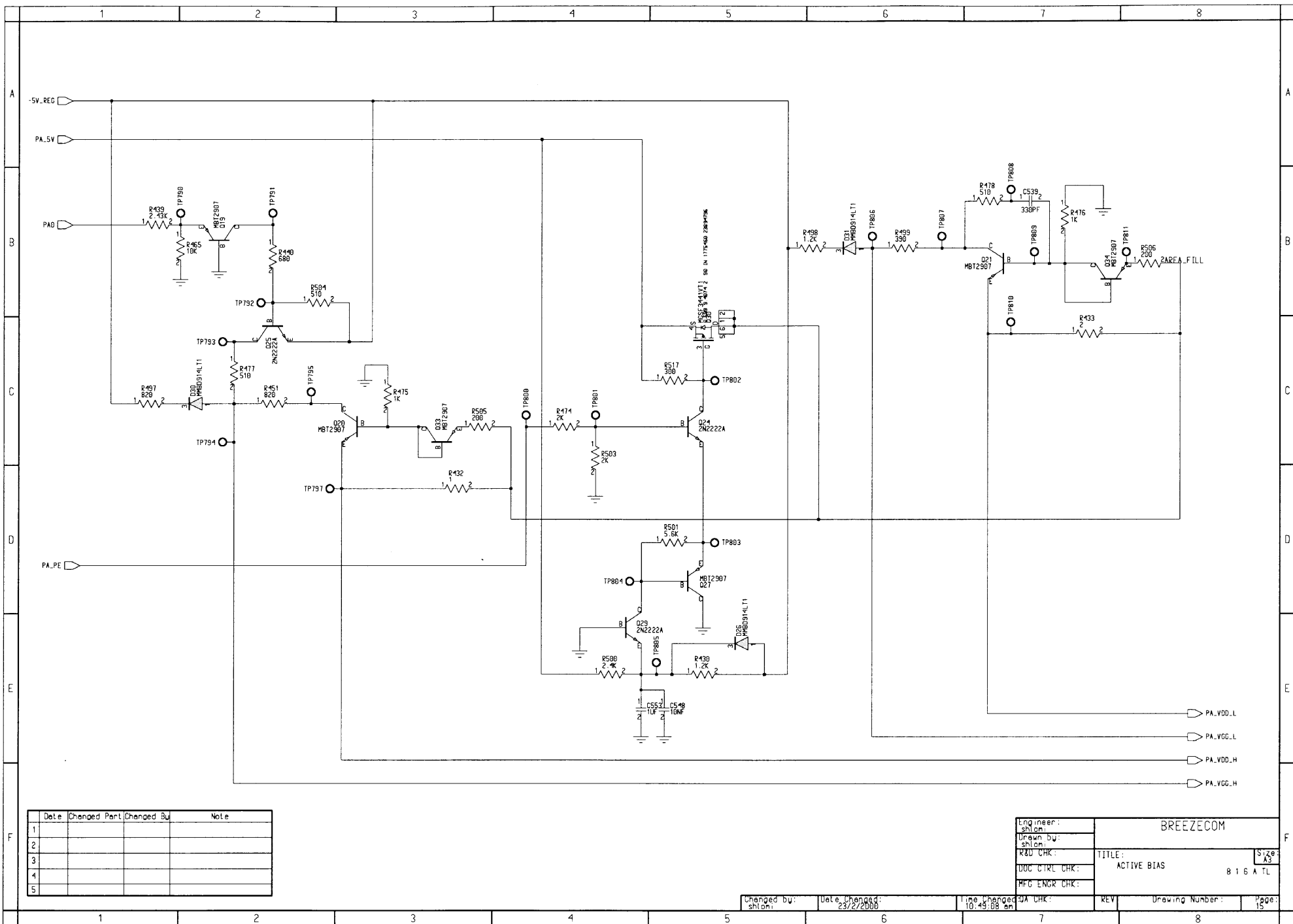
ACTIVE BIAS
(page 15)

PEAK DETECTOR
(page 16)

Date	Changed Part	Changed By	Note
1			
2			
3			
4			
5			

Engineer:	BREEZCOM		
Drawn by:	shlom		
R&D CHK:	TITLE:	POWER AMP & DETECTOR	
DOC CTRL CHK:	Size:	A3	
MFG ENGR CHK:	REV:	8 1 S A FL	

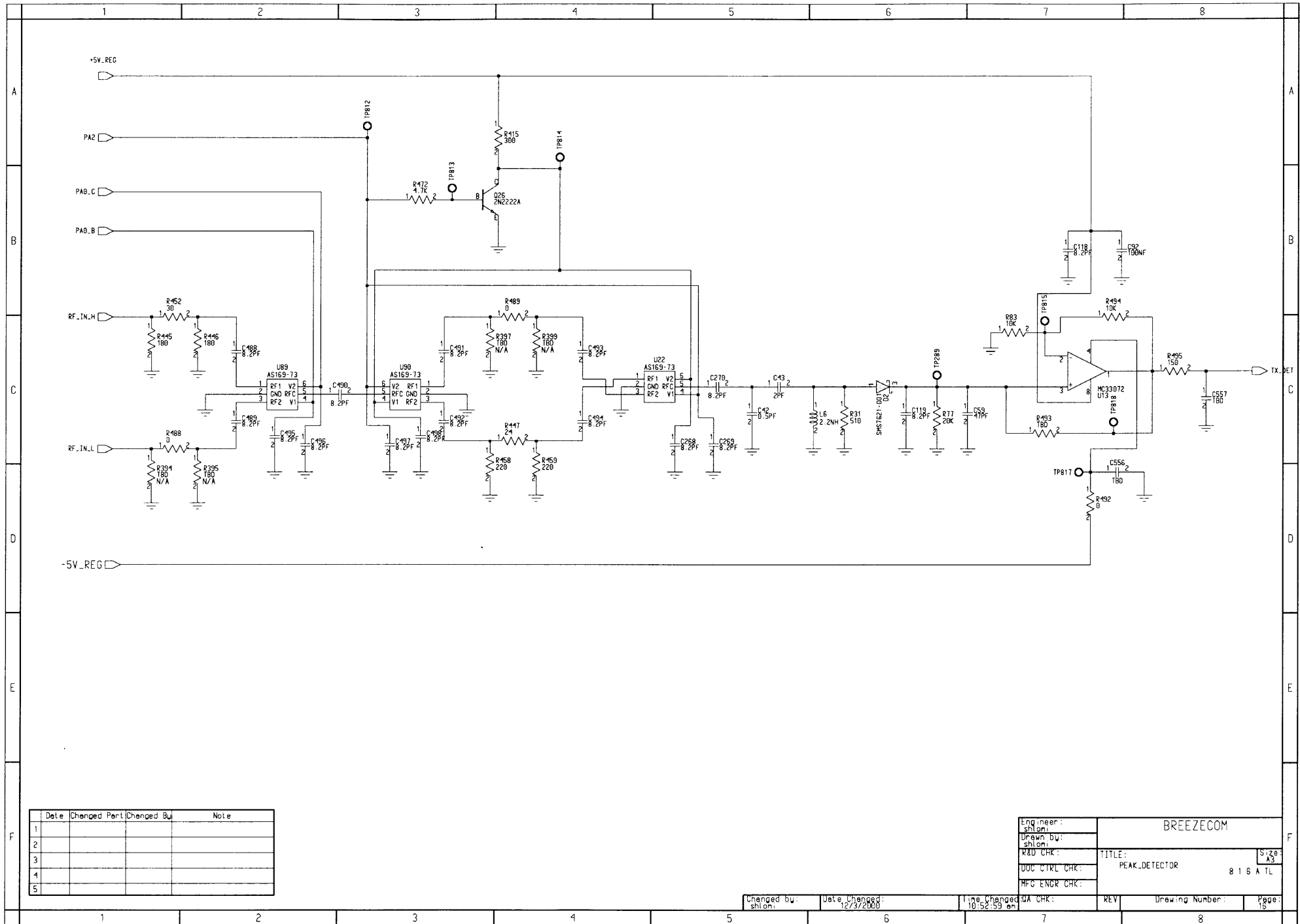
Changed by:	Date Changed:	Time Changed:	DA CHK:	REV:	Drawing Number:	Page:
shlom	17/2/2000	10:47:14 am				14



Date	Changed Part	Changed By	Note
1			
2			
3			
4			
5			

Engineer:	BREEZECOM		
Drawn by:	shlon		
R&D CHK:	TITLE:	ACTIVE BIAS	Size A3
DOC CTRL CHK:			B 1 6 A TL
MFG ENGR CHK:			

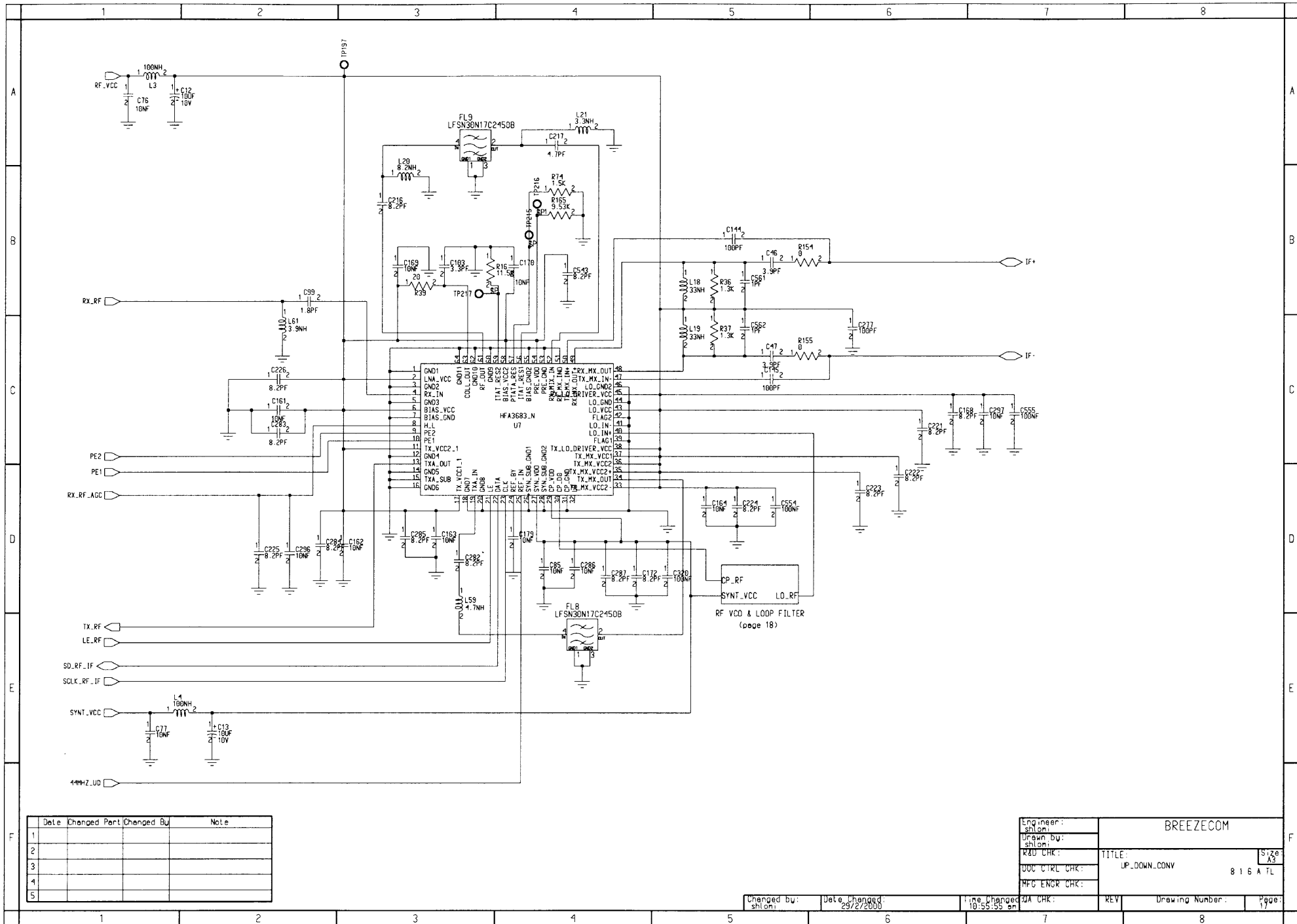
Changed by:	Date Changed:	Time Changed:	QA CHK:	REV	Drawing Number:	Page:
shlon	23/2/2008	10:49:08 am				15



Date	Changed Part	Changed By	Note
1			
2			
3			
4			
5			

Eng. Inscr:	BREEZECOM	
Drawn by:	shlon	
R&D CHK:	TITLE:	SIZE
DOC CTRL CHK:	PEAK_DETECTOR	8 1/8 A TL
MFG ENCR CHK:		

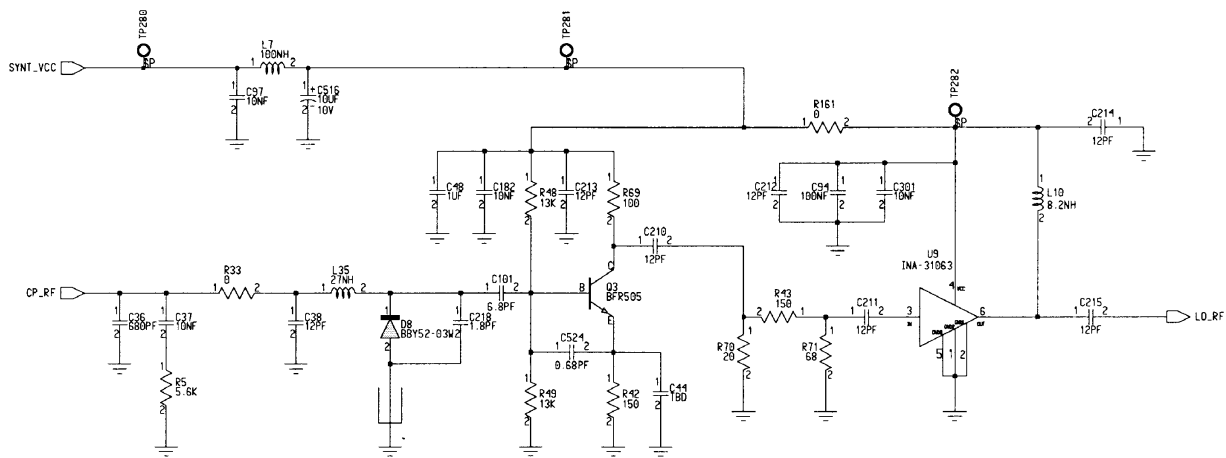
Changed by:	Date Changed:	Time Changed:	Rev:	Drawing Number:	Page:
shlon	12/3/2000	10:52:59 am			15



Date	Changed Part	Changed By	Note
1			
2			
3			
4			
5			

Engineer:	BREEZECOM		
Drawn by:	shlom		
R&D CHK:	TITLE:	LP_DOWN_CONV	Size: A3
DOC CTRL CHK:	8 1 6 A FL		
MFG ENGR CHK:			

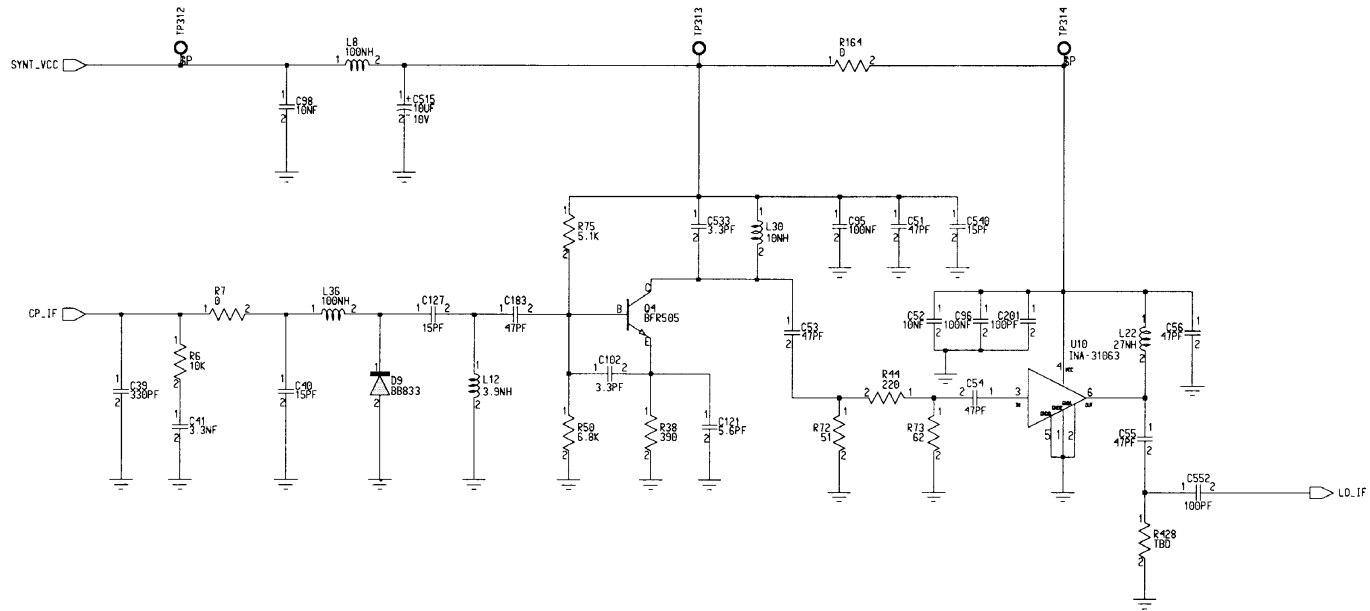
Changed by:	Date Changed:	Type Changed:	QA CHK:	REV:	Drawing Number:	Page:
shlom	23/2/2008	10:55:53 am				17



Date	Changed Part	Changed By	Note
1			
2			
3			
4			
5			

Engineer:	BREEZECOM		
Drawn by:	shloni		
R&D CHK:	TITLE:		Size
DOC CTRL CHK:	RF_VCO		A3
MFG ENGR CHK:			8 1 6 A TL

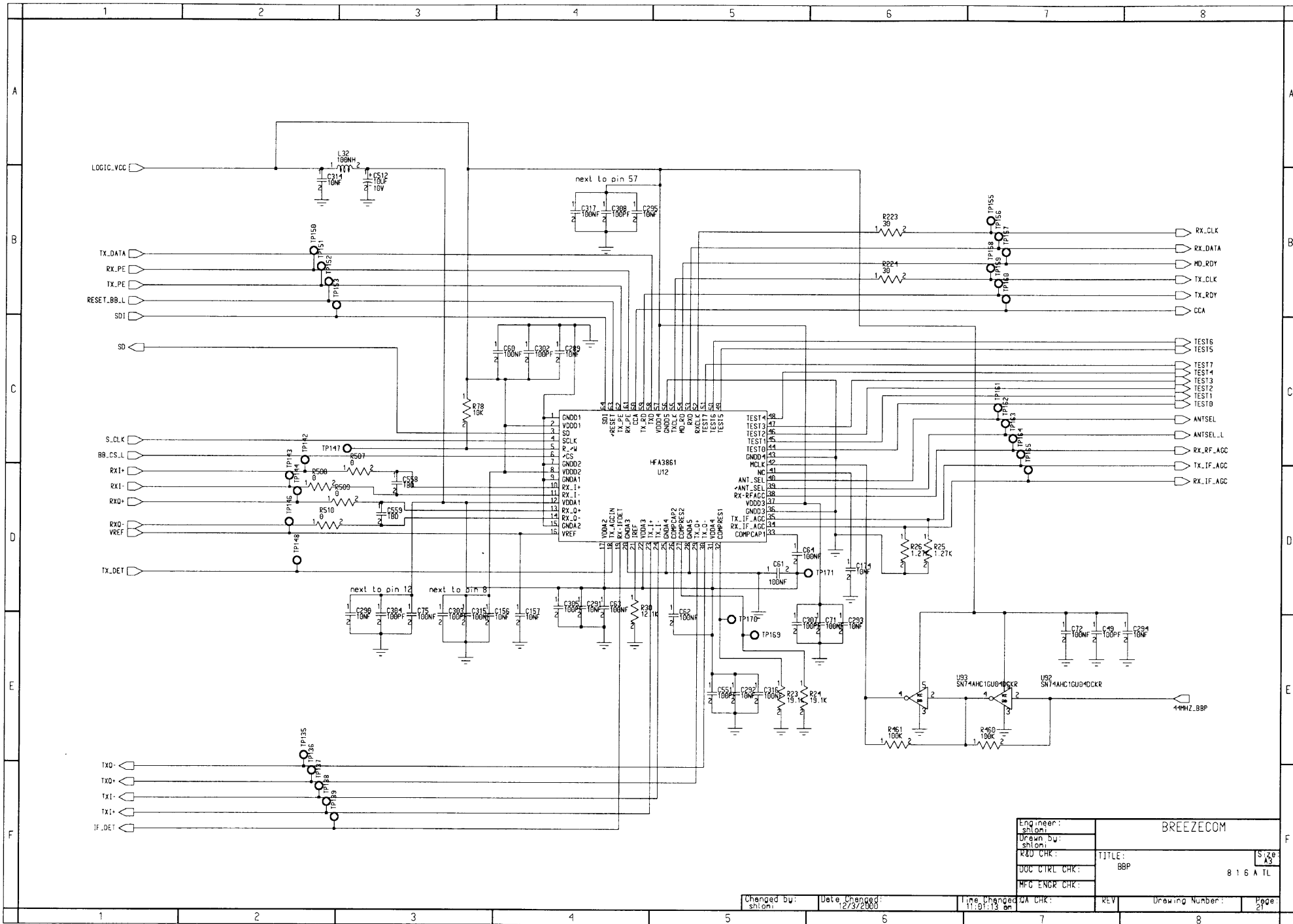
Changed by:	Date Changed:	Line Changed:	Rev	Drawing Number:	Page:
shloni	23/2/2000	11, 83, 47, 61			18



Date	Changed Part	Changed By	Note
1			
2			
3			
4			
5			

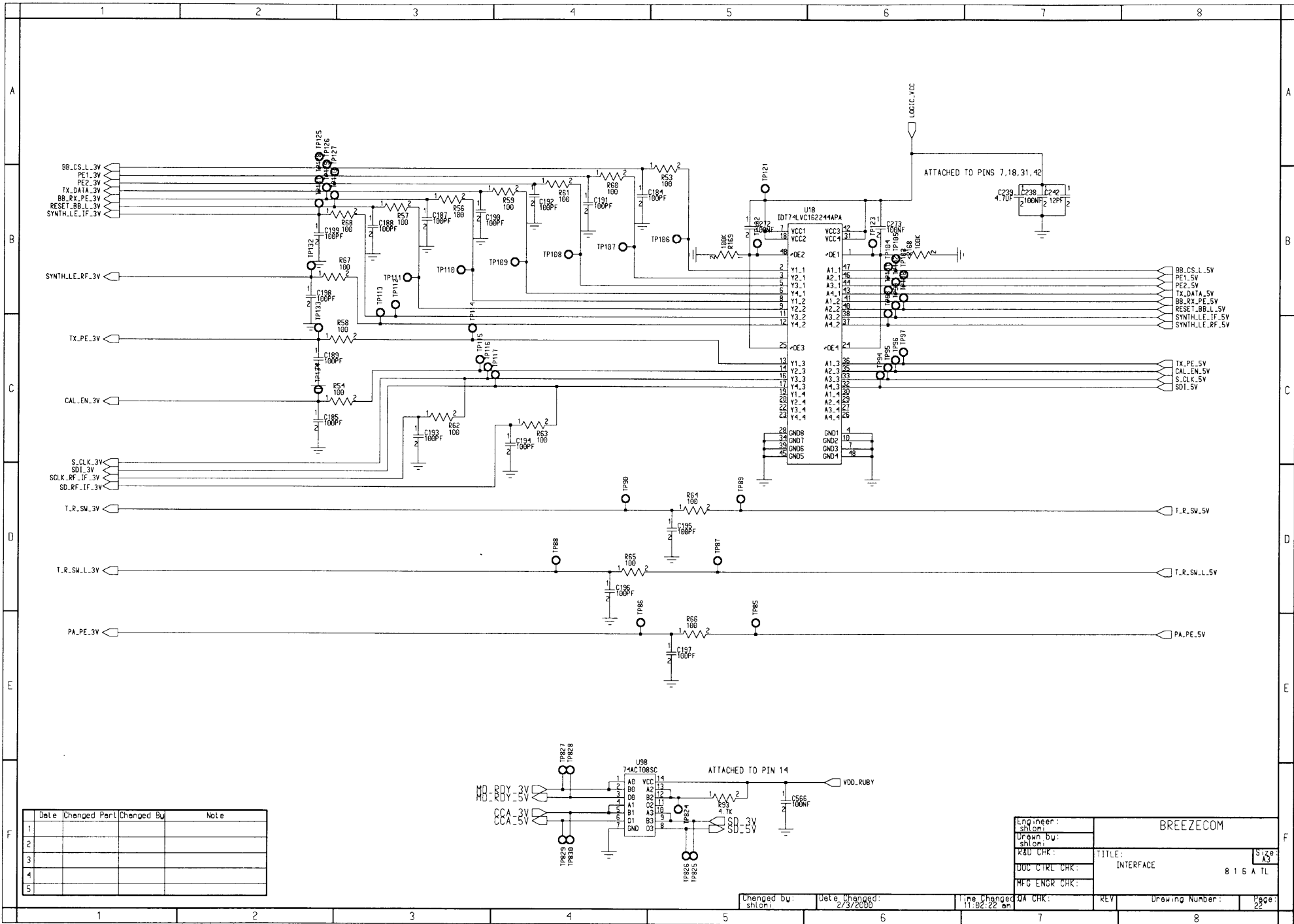
Engineer:	BREEZECOM		
Drawn by:	shlon		
R&D CHK:	TITLE:	IF_VCO	Size: A3
DOC CTRL CHK:	REV		8 1 6 A TL
MFG ENCR CHK:			

Changed by:	Date Changed:	Time Changed:	QA CHK:	REV	Drawing Number:	Page:
shlon	13/2/2000	10:53:39 am				20



Engineer:	BREEZECOM		
Drawn by:	shlom		
R&D CHK:	TITLE:	BBP	
DOC CTRL CHK:	Size:	A3	
MFG ENGR CHK:	8 1 6 A TL		

Changed by:	Date Changed:	Time Changed:	QA CHK:	REV	Drawing Number:	Page
shlom	12/31/2008	11:59:13 am				21



Date	Changed Part	Changed By	Note
1			
2			
3			
4			
5			

Engineer: shloni	BREEZECOM	
Drawn by: shloni	TITLE: INTERFACE	Size A3
R&D CHR:	REV	8 1 6 A TL
DOC CTRL CHR:	Drawing Number:	Page: 22
MFG ENGR CHR:		

Changed by: shloni Date Changed: 2/9/2006 Time Changed: 11:02:22 on