

MECHANIC HOLES FOR THE N TYPE CONNECTOR

TP145

Two Mechanic Holes For Rubu Heat Sink

HS1
HS2

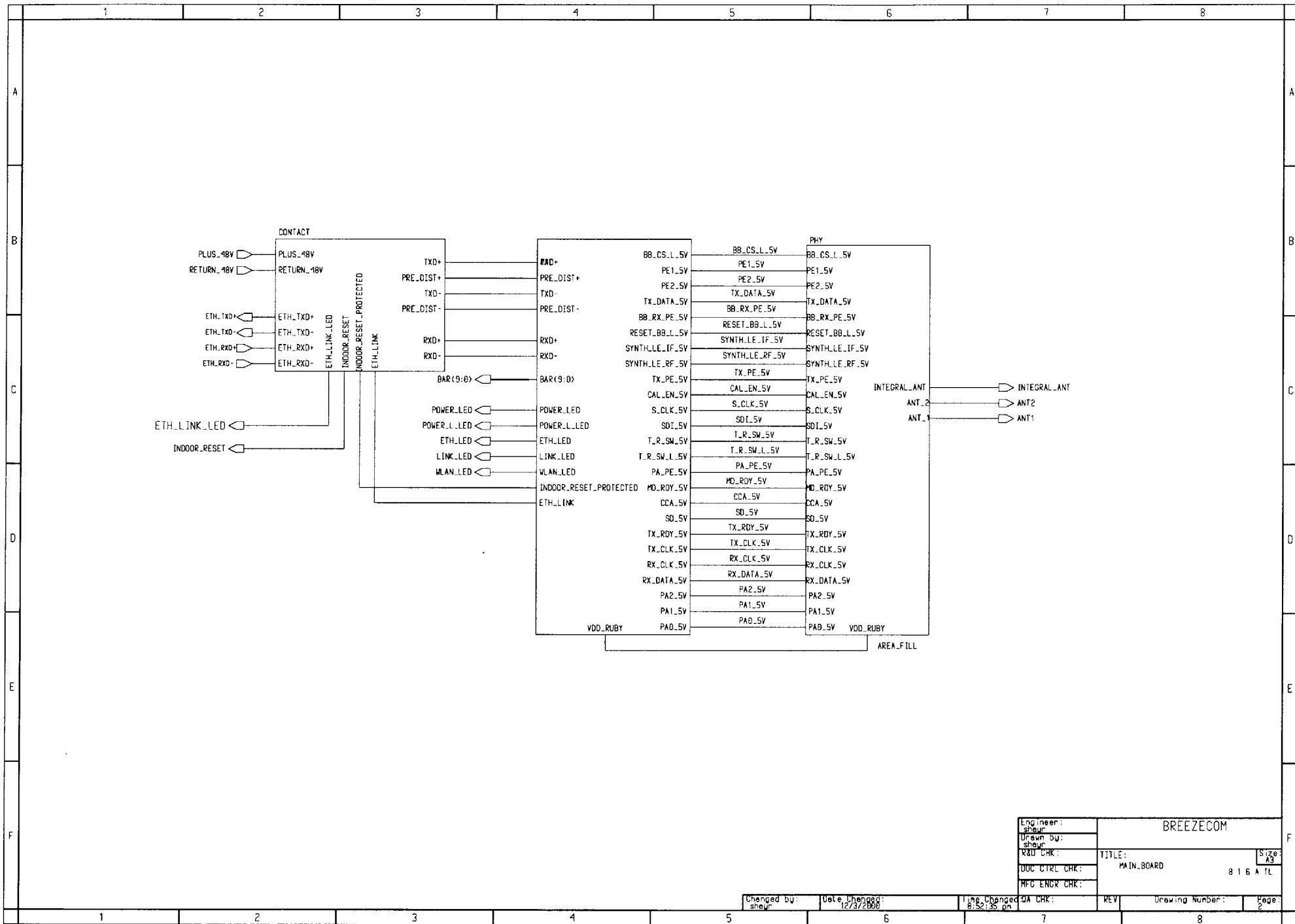
MECHANIC HOLES FOR THE HITSINK

TP744
TP748
TP749
TP750

mechanic hole in lower dxr area

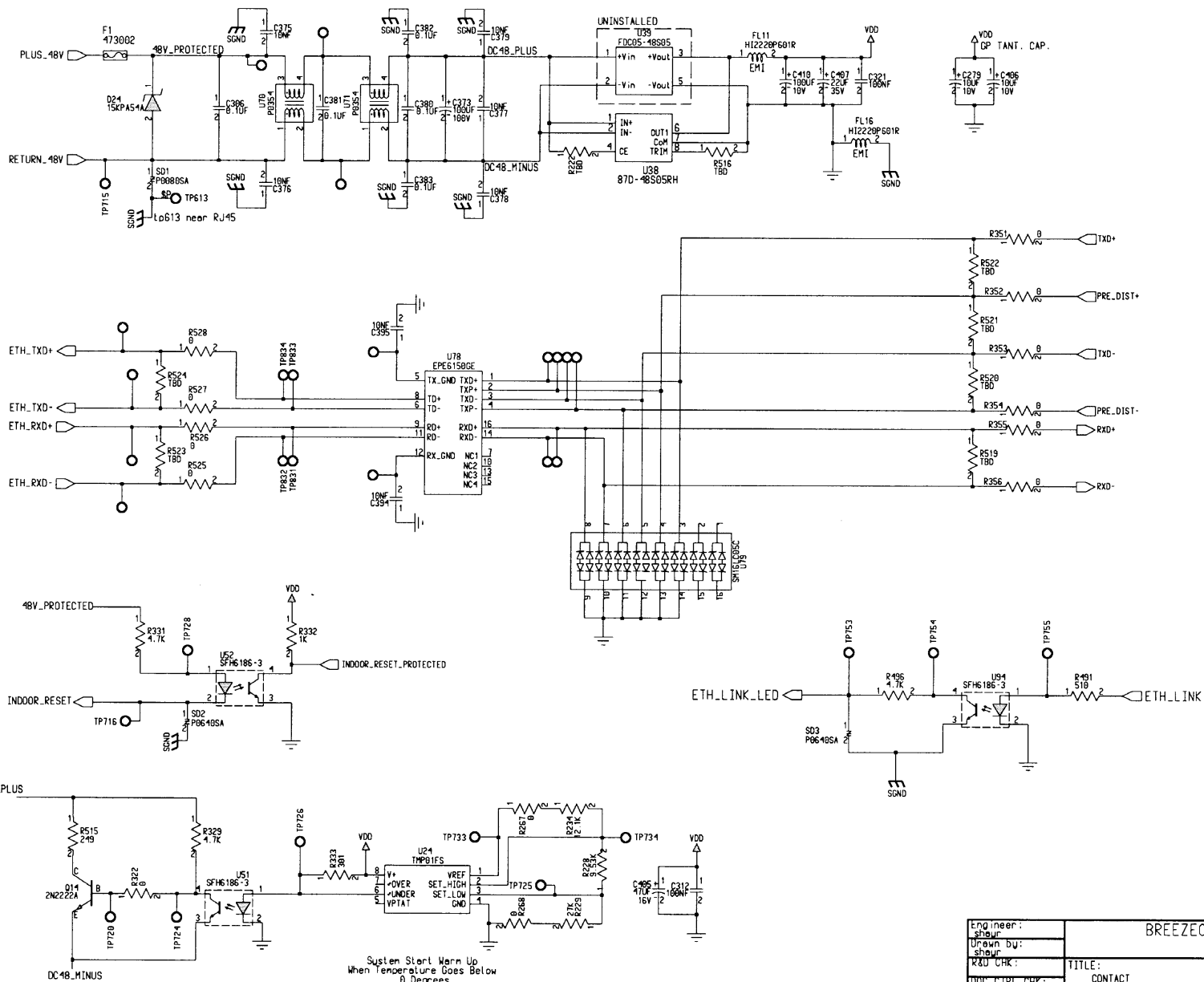
TP614
SGND

Engineer shew	BREEZECOM	
Designer shew	TITLE: DS11M OUTDOOR-PC1680	
Dwg Engr shew	Size A3	816 A TL
DOC CTRL CHK:		
PCB ENGR CHK:		



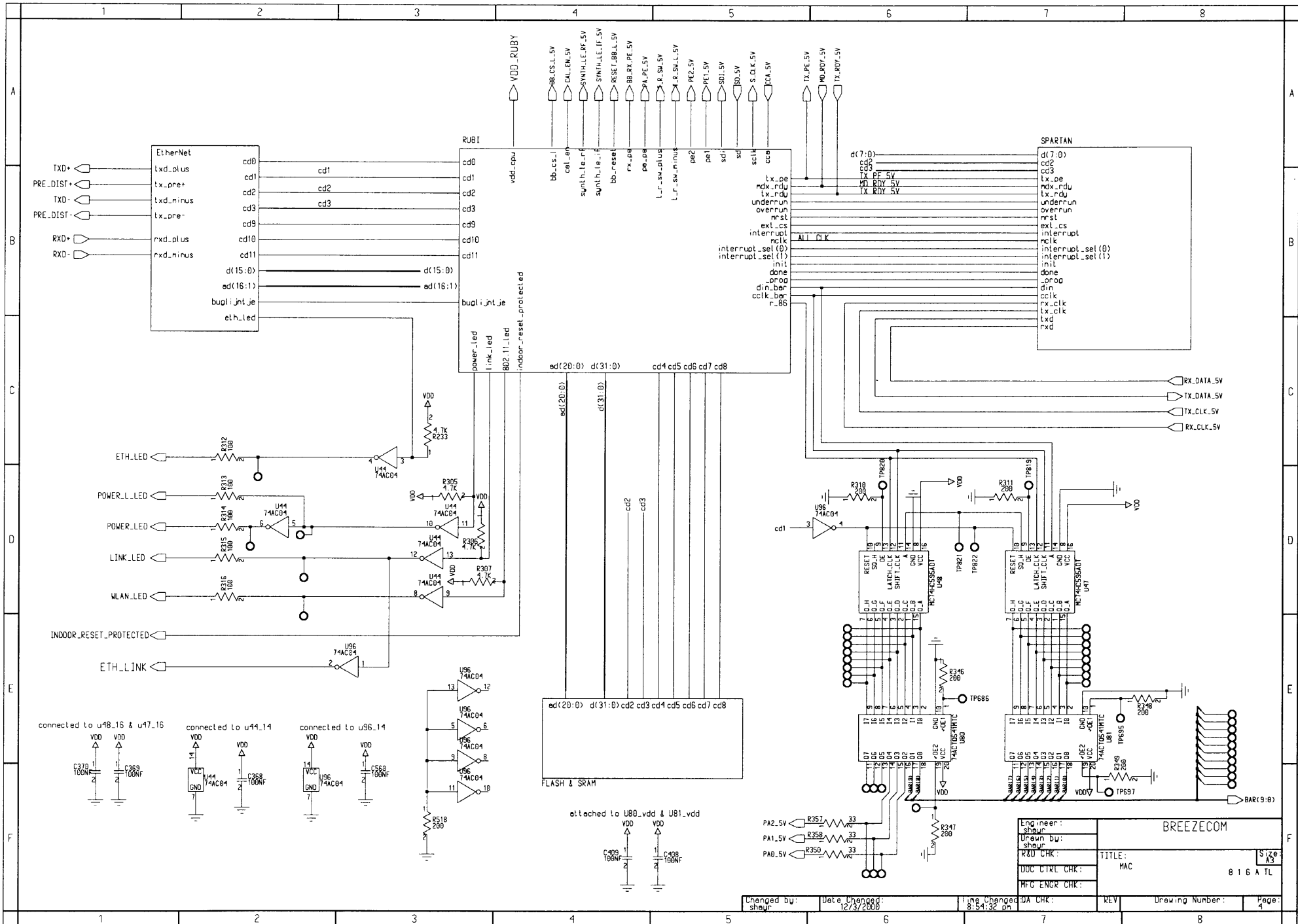
Engineer:	BREEZECOM	
Drawn by:	shour	
R&D CHK:	TITLE:	Size:
UOC CTRL CHK:	MAIN_BOARD	A3
MFG ENGR CHK:	816 A TL	

Changed by:	Date Changed:	Time Changed:	Rev:	Drawing Number:	Page:
shour	12/31/2008	8:52:35 AM			2

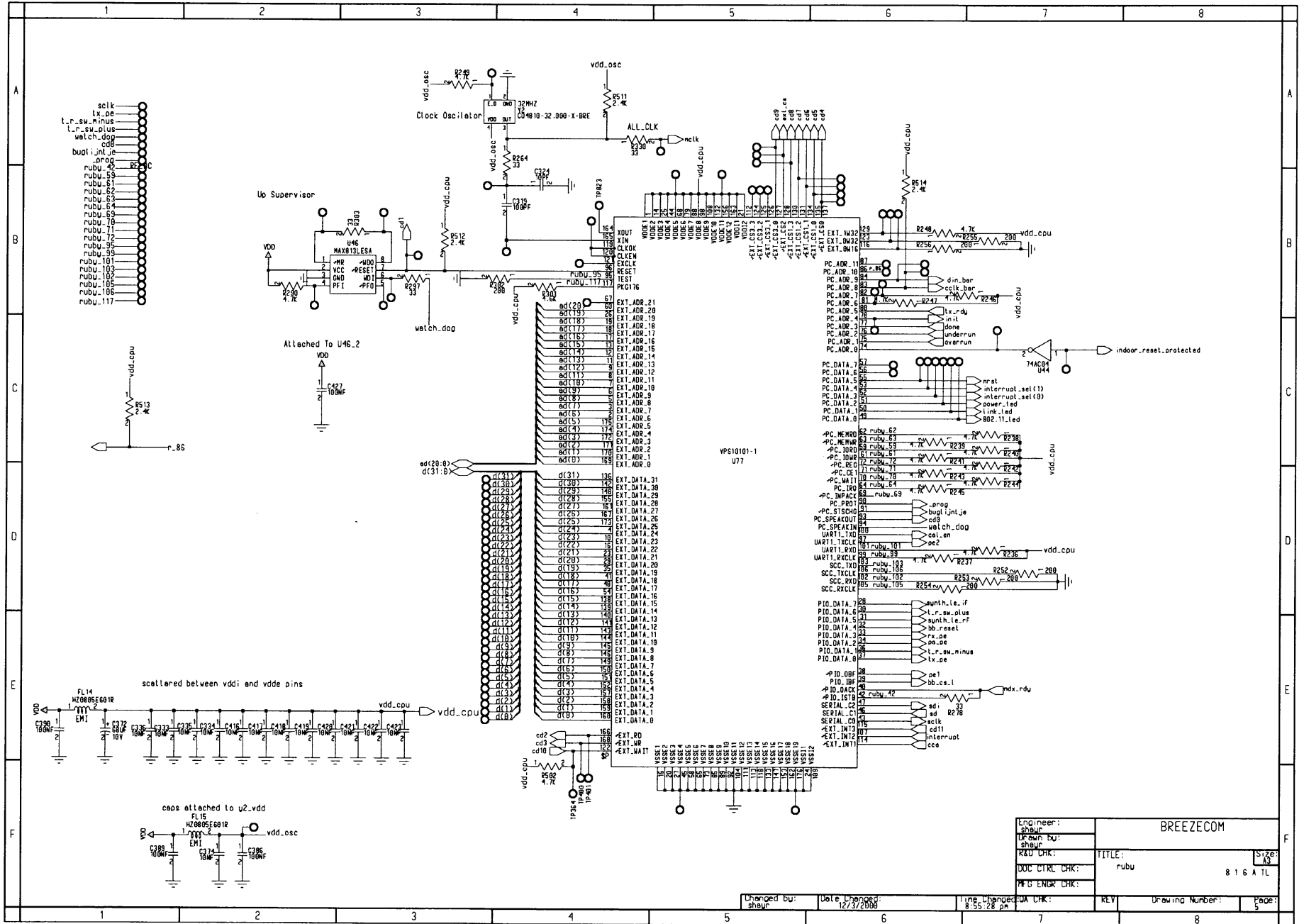


Engineer:	BREEZECOM	
Drawn by:	shaur	
Rev'd by:	shaur	
REV	TITLE:	Size:
DOC CTRL CHK:	CONTACT	8 1 6 A TL
MFG ENGR CHK:		

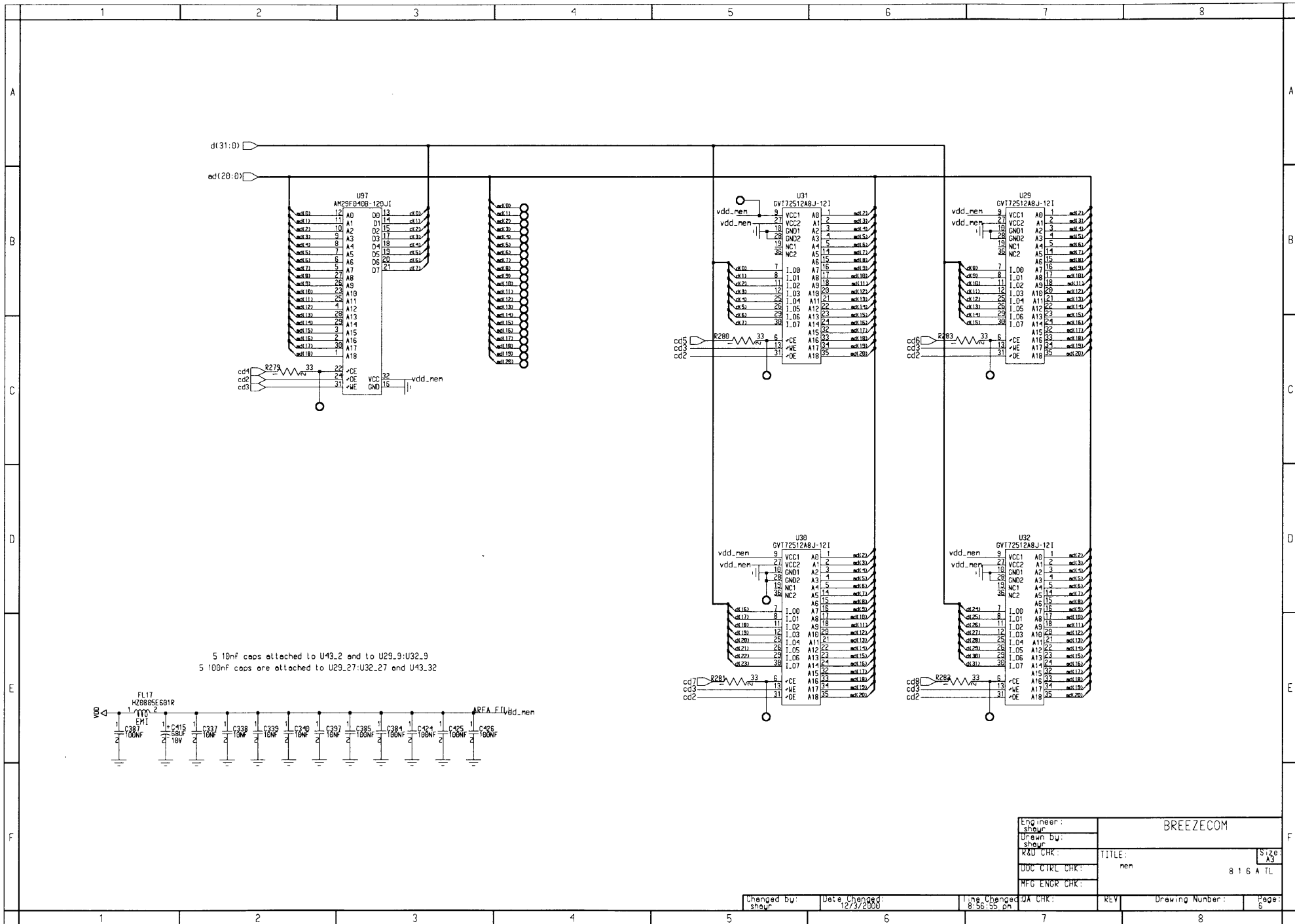
Changed by:	Date Changed:	Time Changed:	Drawn by:	REV	Drawing Number:	Page:
shaur	12/3/2000	8:53:21 pm	shaur			3



Engineer: shaur		BREEZECOM	
Drawn by: shaur		TITLE: MAC	
R&D CHK: shaur		8 1 6 A TL	
DOC CTRL CHK:		REV	
MFG ENGR CHK:		Drawing Number:	
Changed by: shaur		Date Changed: 12/3/2008	
Time Changed: 8:54:32 am		Page: 4	

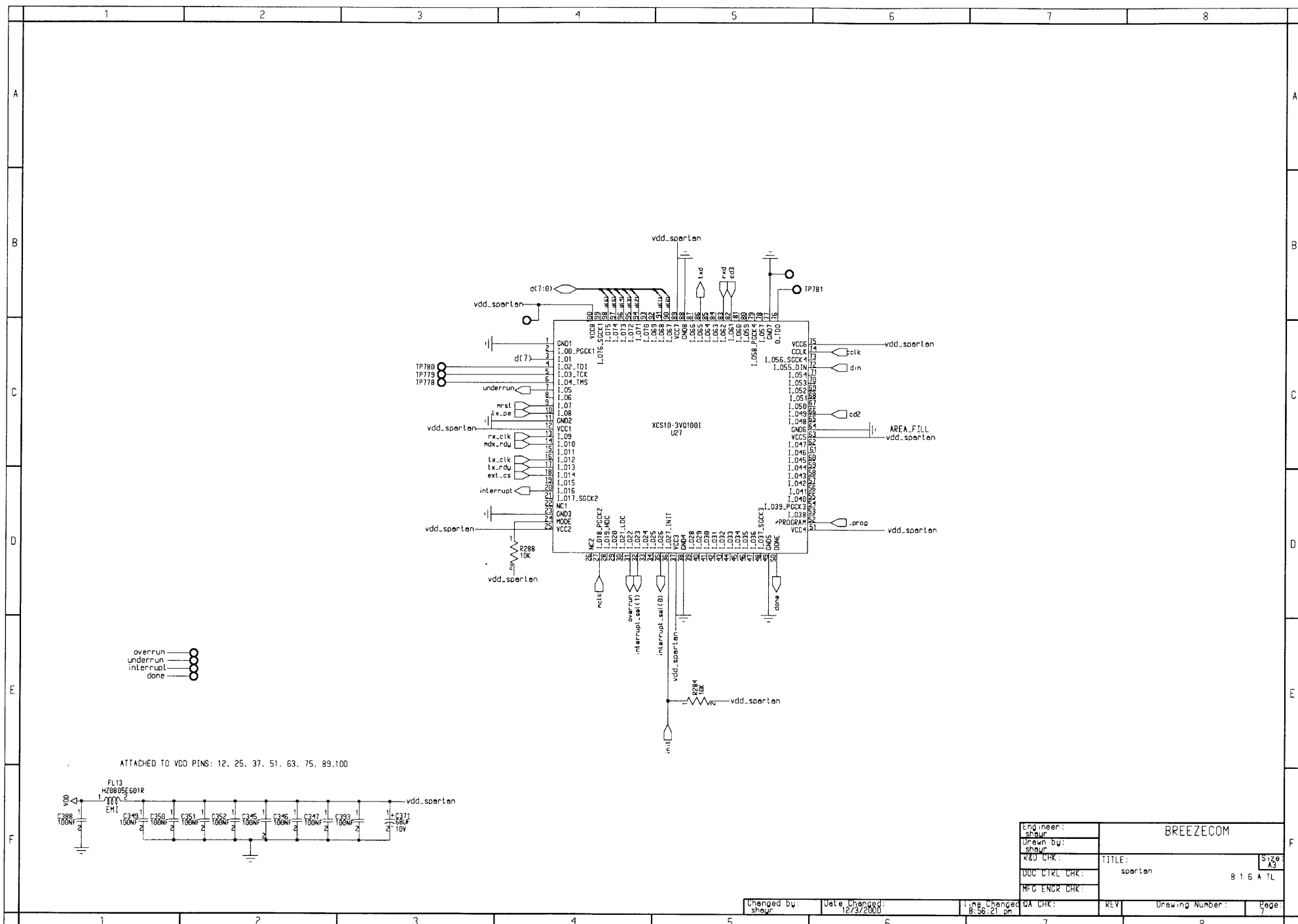


Changed by: shaur Date Changed: 12/31/2008 Time Changed: 8:55:28 pm DA CHK: RLV Drawing Number: Page: 5



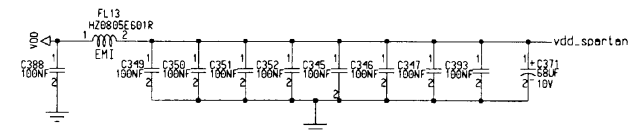
Engineer:	BREEZECOM	
Drawn by:	shour	
R&D CHK:	TITLE:	Size: A3
DOC CTRL CHK:	nen	8 1 6 A TL
MFG ENGR CHK:		

Changed by:	Date Changed:	Time Changed:	QA CHK:	REV	Drawing Number:	Page:
shour	12/3/2000	8:56:55 pm				5



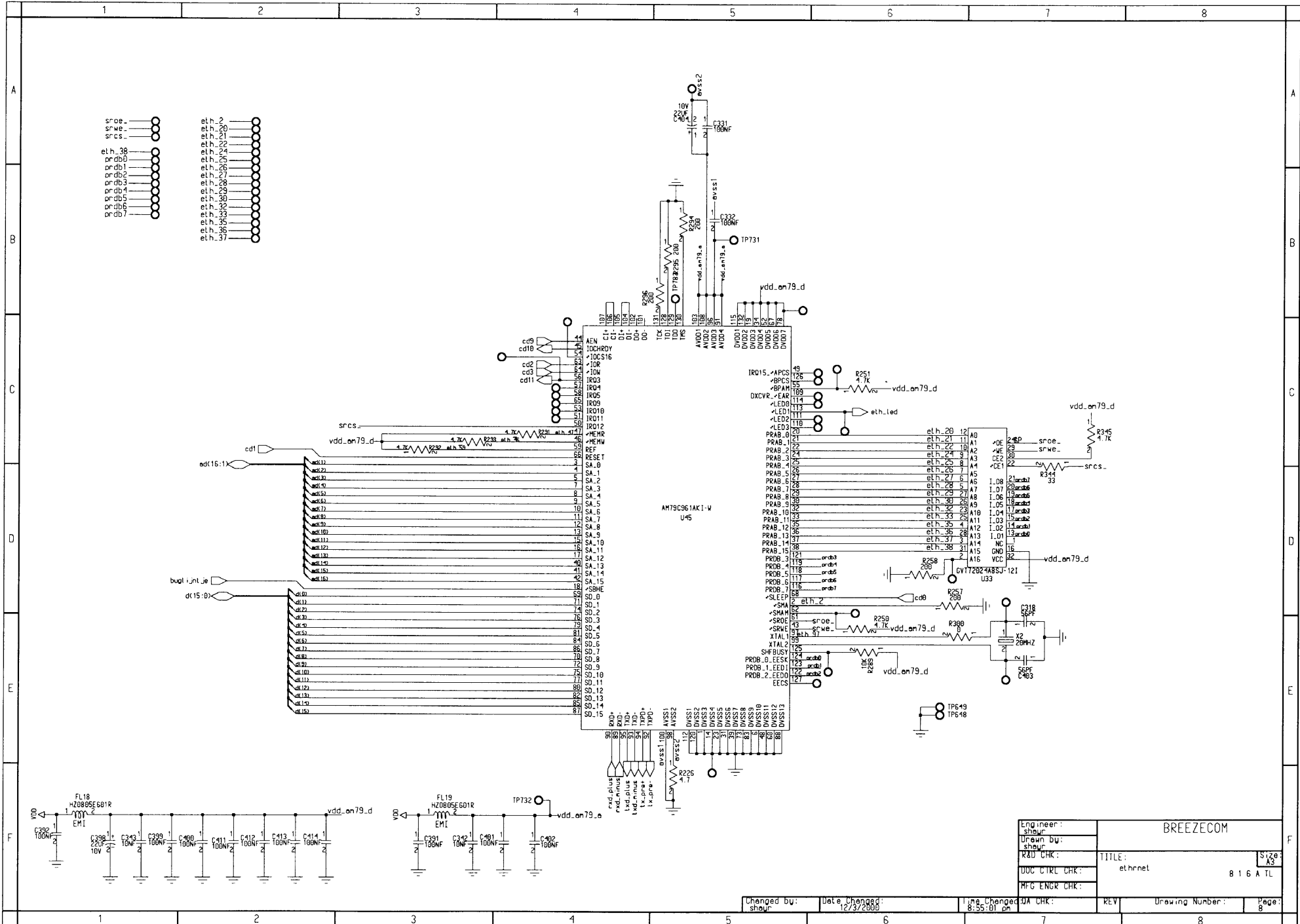
overrun
underrun
interrupt
done

ATTACHED TO VDD PINS: 12, 25, 37, 51, 63, 75, 89, 100



Enginer:	BREEZECOM		
Drawn by:			
RDY CHK:	TITLE:		Size
DDC CTRL CHK:	sparten		A3
MFG ENGR CHK:			8 1 6 A TL

Changed by:	Date Changed:	Time Changed:	DA CHK:	REV:	Drawing Number:	Page:
show	12/31/2000	8:56:21 am				7



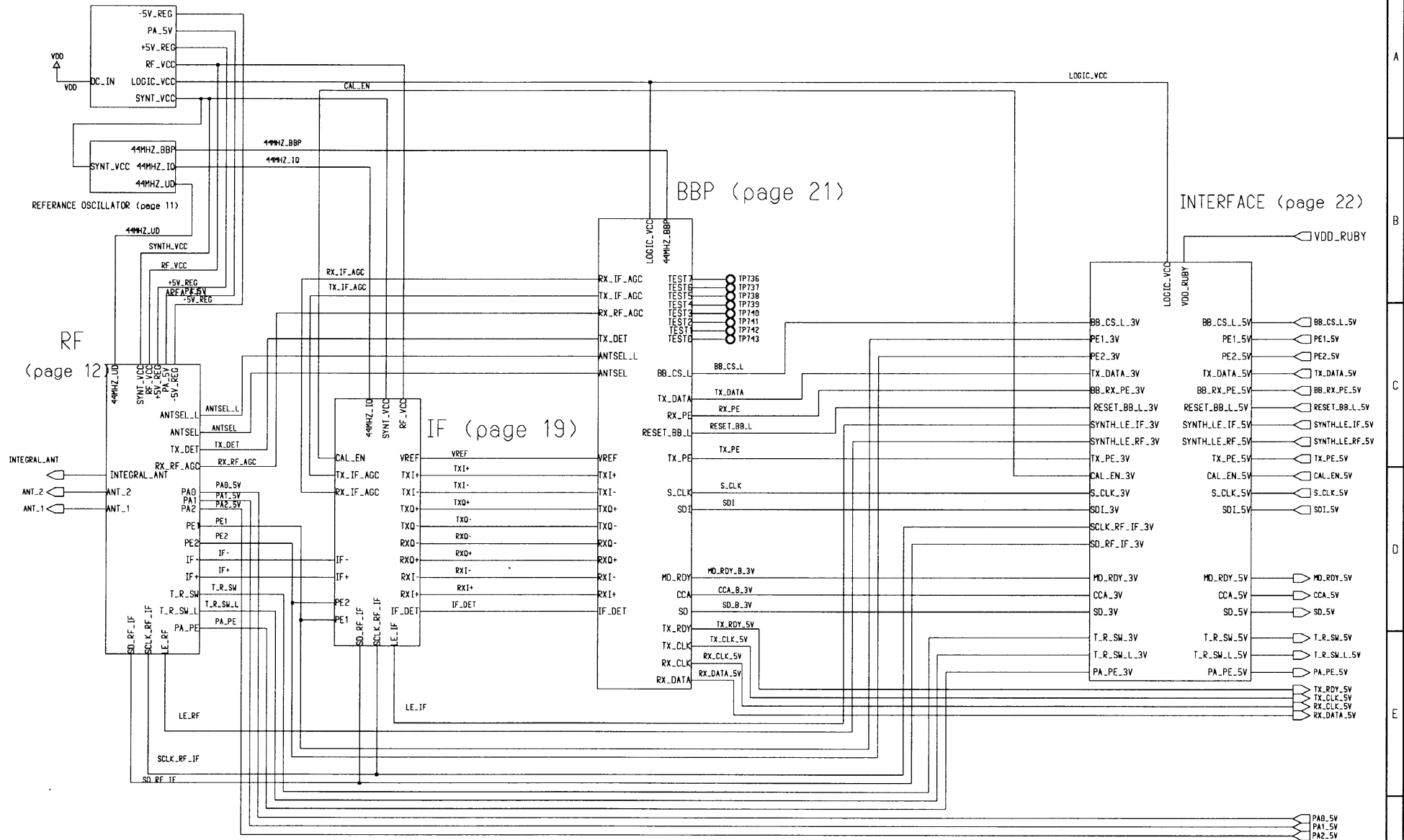
Engineer:	shaur		
Drawn by:	shaur		
R&D CHK:	TITLE:	ethrnet	
DDC CTRL CHK:	8 1 6 A TL		
MFG ENCR CHK:	Size A3		

BREEZECOM

Changed by: shaur Date Changed: 12/3/2000 Time Changed: 8:55:01 on

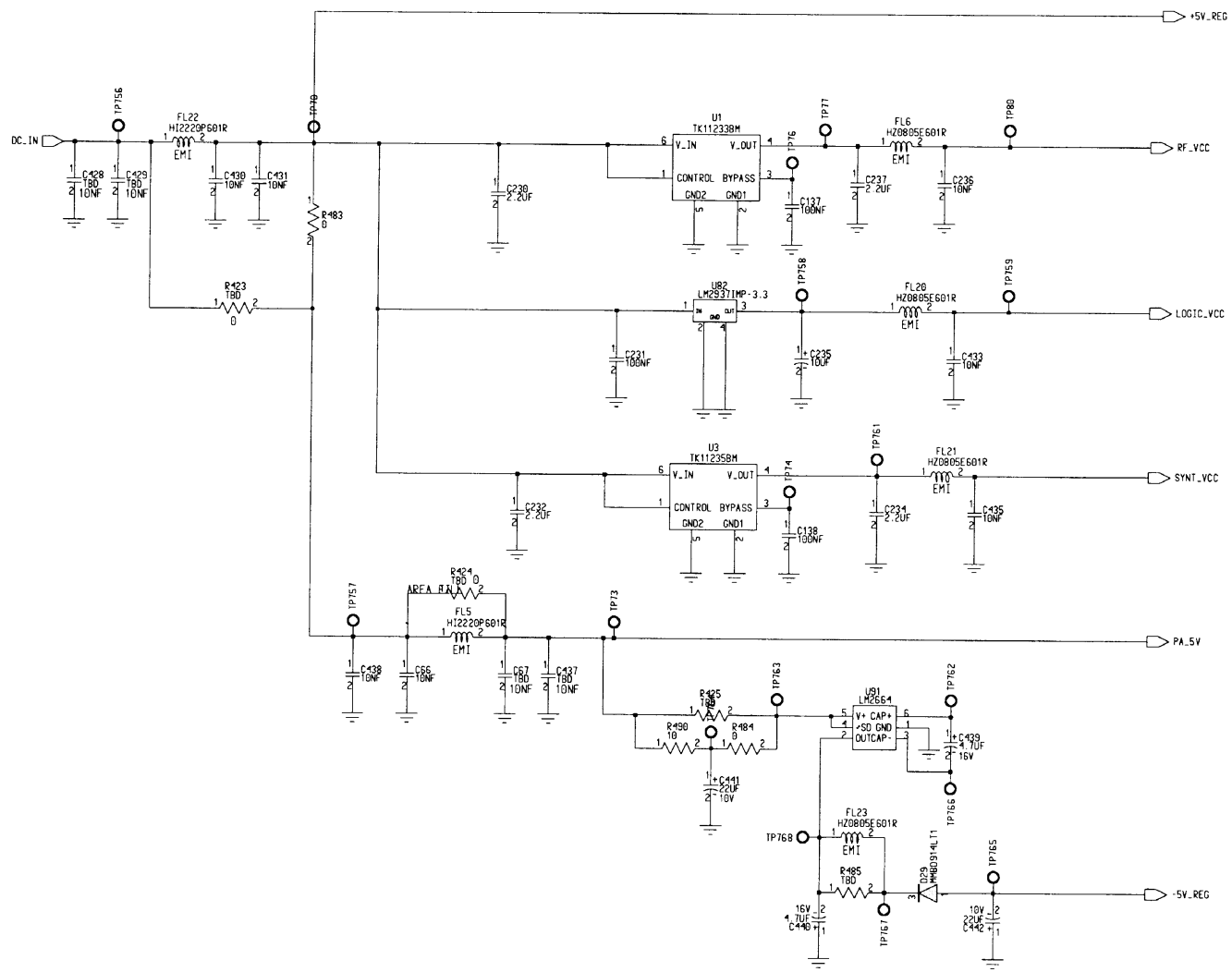
Rev: 8 Drawing Number: 8 Page: 8

POWER SUPPLY (page 10)



Date	Changed Part	Changed By	Note
1			
2			
3			
4			
5			

Engineer:	shloni		BreezeCom
Drawn by:	shloni		
R&D CHK:	TITLE: DS11M.WLAN (PC1053)	Size:	A3
DOC CTRL CHK:	PHY	8 1 6 A TL	
MFG ENGR CHK:			



Date	Changed Part	Changed By	Note
1			
2			
3			
4			
5			

Engineer:	BREEZECOM		
Drawn by:	shlon		
R&D CHK:	TITLE:	POWER_SUPPLY	Size: A3
MFG ENGR CHK:	DOC CTRL CHK:		8 1 6 A TL

Changed by: shlon Date Changed: 13/2/2009 Time Changed: 9:47:25 am

Rev: 10 Drawing Number: 10