

**BLOCK DIAGRAMS**

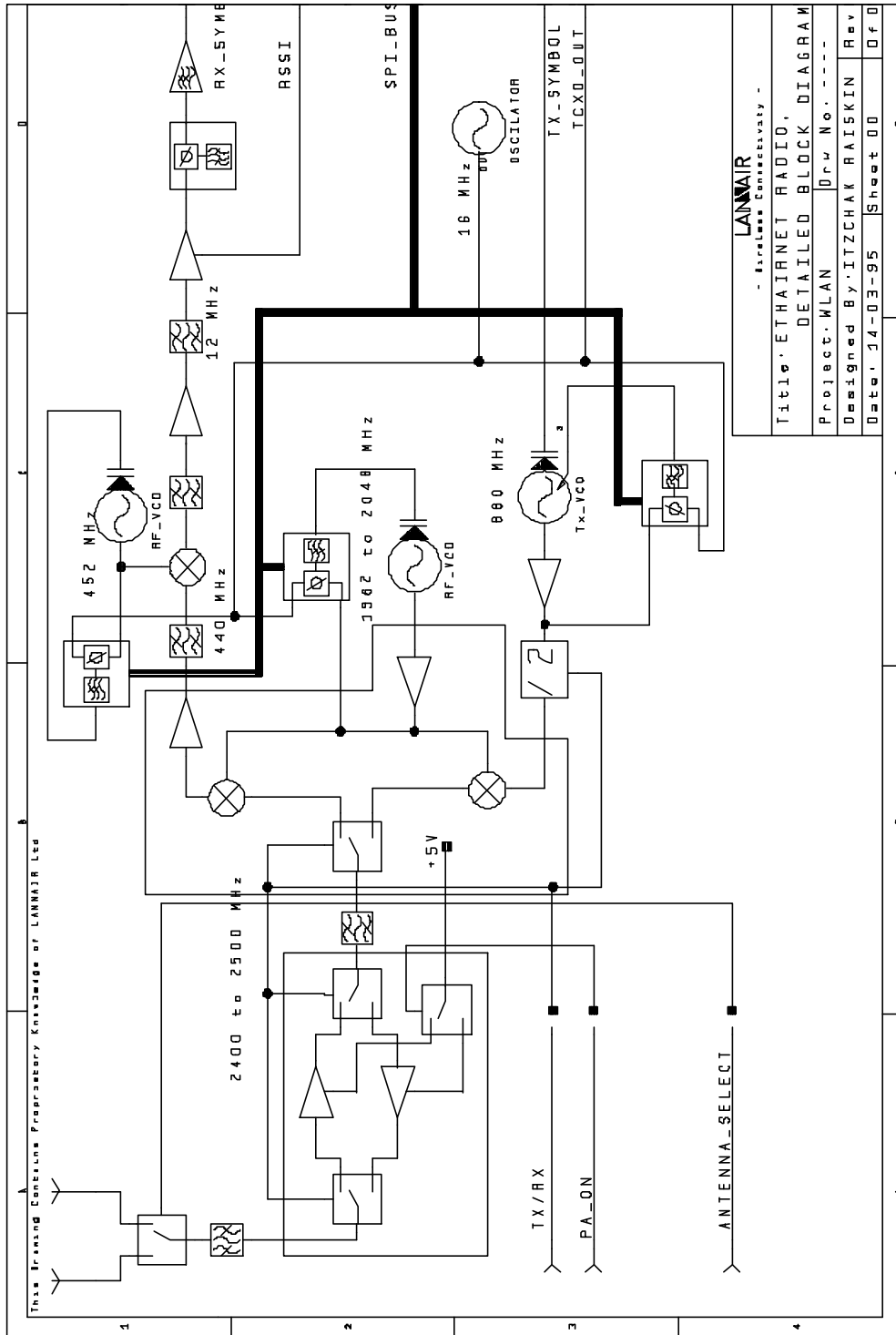


Fig 2. PHY - RADIO

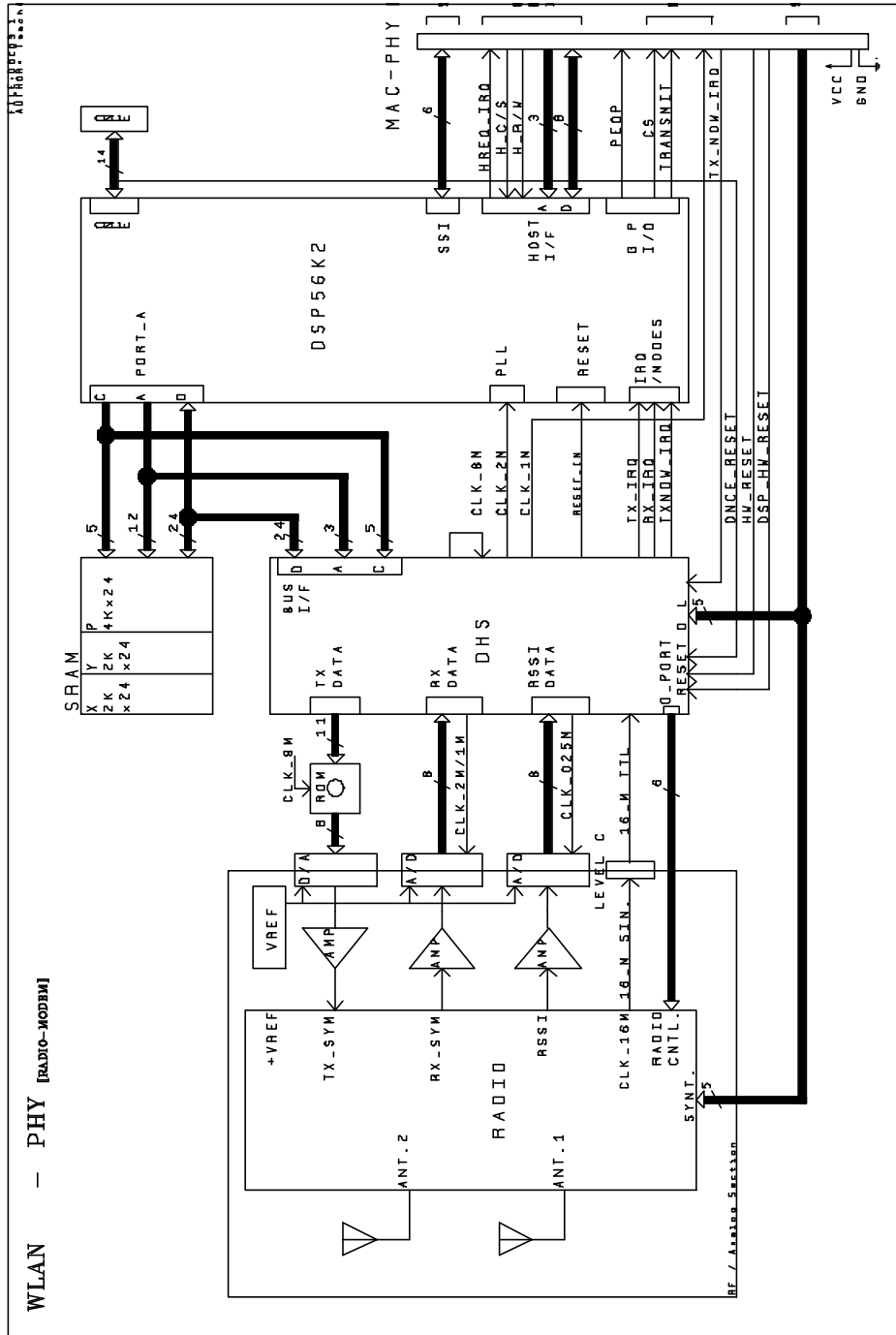


Fig 3. PHY - MODEM

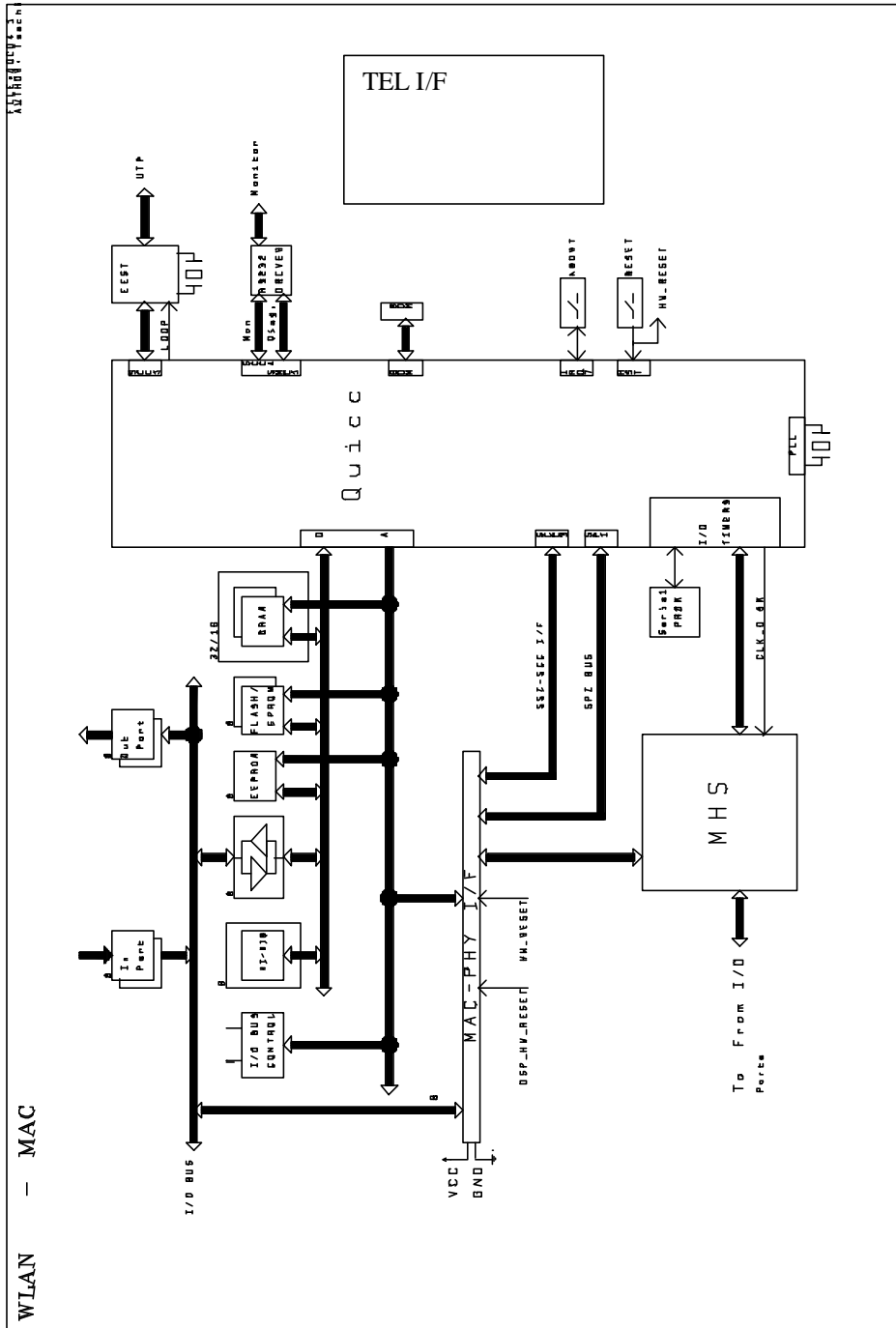


Fig 4a. MAC

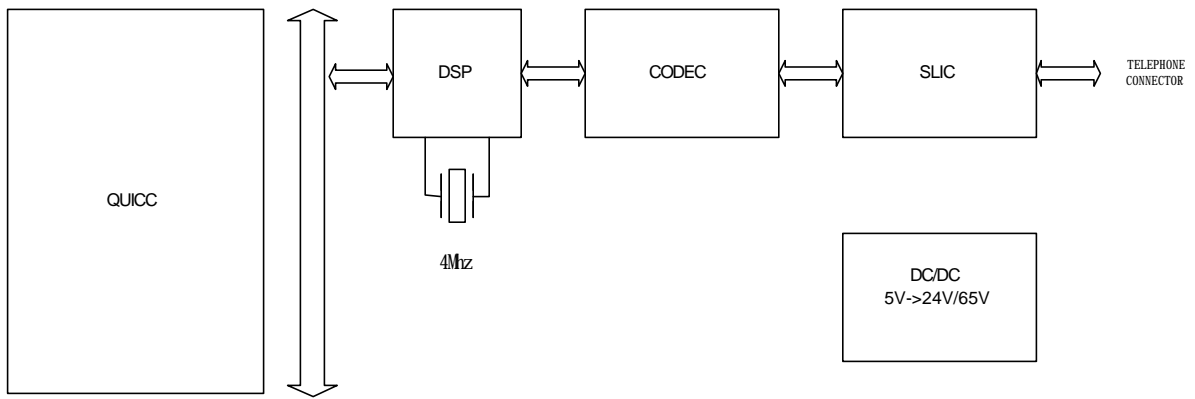


Fig 4b. MAC – Voice Interface

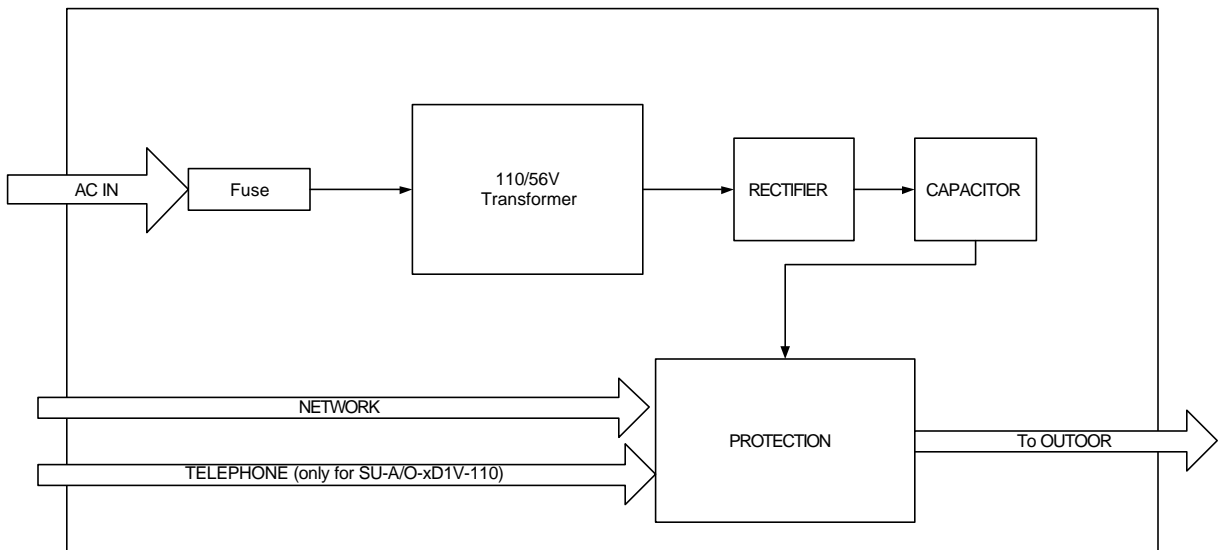


Fig 5. Indoor Unit