



**FCC CFR47 PART 15 SUBPART E
(DFS REQUIREMENTS)**

**CERTIFICATION TEST REPORT
FOR**

BROADBAND WIRELESS ACCESS, POINT TO MUTIPOINT SYSTEM

MODEL NUMBER: SU-A-5.4-54-BD-VL

FCC ID: LKT-VL-54

REPORT NUMBER: 07U10917-3

ISSUE DATE: MAY 17, 2007

Prepared for
ALVARION
21A HABARAEEL STREET
TEL AVIV
69710 ISRAEL

Prepared by
COMPLIANCE CERTIFICATION SERVICES
47173 BENICIA STREET
FREMONT, CA 94538, U.S.A.
TEL: (510) 771-1000
FAX: (510) 661-0888



NVLAP LAB CODE 200065-0

Revision History

| <u>Rev.</u> | <u>Issue Date</u> | <u>Revisions</u> | <u>Revised By</u> |
|-------------|-----------------------|------------------|-------------------|
| -- | 5/17/2007 | Initial Issue | M. Heckrotte |

TABLE OF CONTENTS

| | |
|---|-----------|
| 1. ATTESTATION OF TEST RESULTS..... | 4 |
| 2. TEST METHODOLOGY | 5 |
| 3. FACILITIES AND ACCREDITATION | 5 |
| 4. CALIBRATION AND UNCERTAINTY..... | 5 |
| 4.1. MEASURING INSTRUMENT CALIBRATION..... | 5 |
| 4.2. MEASUREMENT UNCERTAINTY..... | 5 |
| 5. DYNAMIC FREQUENCY SELECTION | 6 |
| 5.1. DFS OVERVIEW | 6 |
| 5.1.1. LIMITS | 6 |
| 5.1.2. TEST AND MEASUREMENT SYSTEM | 9 |
| 5.1.3. TEST AND MEASUREMENT EQUIPMENT | 12 |
| 5.1.4. DESCRIPTION OF EUT | 13 |
| 5.1.5. SETUP OF EUT..... | 14 |
| 5.2. 10 MHz BANDWIDTH RESULTS..... | 15 |
| 5.2.1. PLOTS OF RADAR WAVEFORM AND WLAN TRAFFIC..... | 15 |
| 5.2.2. TEST CHANNEL AND METHOD | 17 |
| 5.2.3. CHANNEL MOVE TIME AND CHANNEL CLOSING TRANSMISSION TIME..... | 17 |
| 5.3. 20 MHz BANDWIDTH RESULTS..... | 21 |
| 5.3.1. PLOTS OF RADAR WAVEFORM AND WLAN TRAFFIC..... | 21 |
| 5.3.2. TEST CHANNEL AND METHOD | 23 |
| 5.3.3. CHANNEL MOVE TIME AND CHANNEL CLOSING TRANSMISSION TIME..... | 23 |
| 6. SETUP PHOTOS..... | 27 |

1. ATTESTATION OF TEST RESULTS

COMPANY NAME: ALVARION
21A HABARZEL STREET
TEL AVI 69710 ISRAEL

EUT DESCRIPTION: BROADBAND WIRELESS ACCESS

MODEL: SU-A-5.4-54-BD-VL

SERIAL NUMBER: 00-10-E7-C4-00-98

DATE TESTED: MARCH 28-30, 2007

| APPLICABLE STANDARDS | |
|---|-------------------------|
| STANDARD | TEST RESULTS |
| FCC PART 15 SUBPART E (DFS REQUIREMENTS) | NO NON-COMPLIANCE NOTED |

Compliance Certification Services, Inc. tested the above equipment in accordance with the requirements set forth in the above standards. The test results show that the equipment tested is capable of demonstrating compliance with the requirements as documented in this report.

Note: The results documented in this report apply only to the tested sample, under the conditions and modes of operation as described herein. This document may not be altered or revised in any way unless done so by Compliance Certification Services and all revisions are duly noted in the revisions section. Any alteration of this document not carried out by Compliance Certification Services will constitute fraud and shall nullify the document. No part of this report may be used to claim product certification, approval, or endorsement by NVLAP, NIST, or any government agency.

Approved & Released For CCS By:

Tested By:



MICHAEL HECKROTTE
ENGINEERING MANAGER
COMPLIANCE CERTIFICATION SERVICES

CAN MING CHUNG
EMC ENGINEER
COMPLIANCE CERTIFICATION SERVICES

2. TEST METHODOLOGY

The tests documented in this report were performed in accordance with FCC CFR 47 Part 15 and FCC 06-96 APPENDIX "COMPLIANCE MEASUREMENT PROCEDURES FOR UNLICENSED-NATIONAL INFORMATION INFRASTRUCTURE DEVICES OPERATING IN THE 5250-5350 MHz AND 5470-5725 MHz BANDS INCORPORATING DYNAMIC FREQUENCY SELECTION".

3. FACILITIES AND ACCREDITATION

The test sites and measurement facilities used to collect data are located at 47173 Benicia Street, Fremont, California, USA. The sites are constructed in conformance with the requirements of ANSI C63.4, ANSI C63.7 and CISPR Publication 22. All receiving equipment conforms to CISPR Publication 16-1, "Radio Interference Measuring Apparatus and Measurement Methods."

CCS is accredited by NVLAP, Laboratory Code 200065-0. The full scope of accreditation can be viewed at <http://www.ccsemc.com>.

4. CALIBRATION AND UNCERTAINTY

4.1. MEASURING INSTRUMENT CALIBRATION

The measuring equipment utilized to perform the tests documented in this report has been calibrated in accordance with the manufacturer's recommendations, and is traceable to recognized national standards.

4.2. MEASUREMENT UNCERTAINTY

Where relevant, the following measurement uncertainty levels have been estimated for tests performed on the apparatus:

| PARAMETER | UNCERTAINTY |
|-------------------------------------|----------------|
| Radiated Emission, 30 to 200 MHz | +/- 3.3 dB |
| Radiated Emission, 200 to 1000 MHz | +4.5 / -2.9 dB |
| Radiated Emission, 1000 to 2000 MHz | +4.5 / -2.9 dB |
| Power Line Conducted Emission | +/- 2.9 dB |

Uncertainty figures are valid to a confidence level of 95%.

5. DYNAMIC FREQUENCY SELECTION

5.1. DFS OVERVIEW

5.1.1. LIMITS

§15.407 (h) and FCC 06-96 APPENDIX “COMPLIANCE MEASUREMENT PROCEDURES FOR UNLICENSED-NATIONAL INFORMATION INFRASTRUCTURE DEVCIES OPERATING IN THE 5250-5350 MHz AND 5470-5725 MHz BANDS INCORPORATING DYNAMIC FREQUENCY SELECTION”.

Table 1: Applicability of DFS requirements prior to use of a channel

| Requirement | Operational Mode | | |
|--|------------------|----------------------------------|-------------------------------|
| | Master | Client (without radar detection) | Client (with radar detection) |
| <i>Non-Occupancy Period</i> | Yes | Not required | Yes |
| <i>DFS Detection Threshold</i> | Yes | Not required | Yes |
| <i>Channel Availability Check Time</i> | Yes | Not required | Not required |
| <i>Uniform Spreading</i> | Yes | Not required | Not required |

Table 2: Applicability of DFS requirements during normal operation

| Requirement | Operational Mode | | |
|--|------------------|----------------------|-------------------|
| | Master | Client (without DFS) | Client (with DFS) |
| <i>DFS Detection Threshold</i> | Yes | Not required | Yes |
| <i>Channel Closing Transmission Time</i> | Yes | Yes | Yes |
| <i>Channel Move Time</i> | Yes | Yes | Yes |

Table 3: Interference Threshold values, Master or Client incorporating In-Service Monitoring

| Maximum Transmit Power | Value (see note) |
|---|---------------------|
| ≥ 200 milliwatt | -64 dBm |
| < 200 milliwatt | -62 dBm |
| Note 1: This is the level at the input of the receiver assuming a 0 dBi receive antenna Note 2: Throughout these test procedures an additional 1 dB has been added to the amplitude of the test transmission waveforms to account for variations in measurement equipment. This will ensure that the test signal is at or above the detection threshold level to trigger a DFS response. | |

Table 4: DFS Response requirement values

| Parameter | Value |
|---|---|
| <i>Non-occupancy period</i> | 30 minutes |
| <i>Channel Availability Check Time</i> | 60 seconds |
| <i>Channel Move Time</i> | 10 seconds |
| <i>Channel Closing Transmission Time</i> | 200 milliseconds + approx. 60 milliseconds over remaining 10 second period |
| The instant that the <i>Channel Move Time</i> and the <i>Channel Closing Transmission Time</i> begins is as follows: <ul style="list-style-type: none"> • For the Short pulse radar Test Signals this instant is the end of the <i>Burst</i>. • For the Frequency Hopping radar Test Signal, this instant is the end of the last radar burst generated. • For the Long Pulse radar Test Signal this instant is the end of the 12 second period defining the radar transmission. The Channel Closing Transmission Time is comprised of 200 milliseconds starting at the beginning of the Channel Move Time plus any additional intermittent control signals required to facilitate channel changes (an aggregate of approximately 60 milliseconds) during the remainder of the 10 second period. The aggregate duration of control signals will not count quiet periods in between transmissions. | |

Table 5 – Short Pulse Radar Test Waveforms

| Radar Type | Pulse Width (Microseconds) | PRI (Microseconds) | Pulses | Minimum Percentage of Successful Detection | Minimum Trials |
|-----------------------------|----------------------------|--------------------|--------|--|----------------|
| 1 | 1 | 1428 | 18 | 60% | 30 |
| 2 | 1-5 | 150-230 | 23-29 | 60% | 30 |
| 3 | 6-10 | 200-500 | 16-18 | 60% | 30 |
| 4 | 11-20 | 200-500 | 12-16 | 60% | 30 |
| Aggregate (Radar Types 1-4) | | | | 80% | 120 |

Table 6 – Long Pulse Radar Test Signal

| Radar Waveform | Bursts | Pulses per Burst | Pulse Width (µsec) | Chirp Width (MHz) | PRI (µsec) | Minimum Percentage of Successful Detection | Minimum Trials |
|----------------|--------|------------------|--------------------|-------------------|------------|--|----------------|
| 5 | 8-20 | 1-3 | 50-100 | 5-20 | 1000-2000 | 80% | 30 |

Table 7 – Frequency Hopping Radar Test Signal

| Radar Waveform | Pulse Width (µsec) | PRI (µsec) | Burst Length (ms) | Pulses per Hop | Hopping Rate (kHz) | Minimum Percentage of Successful Detection | Minimum Trials |
|----------------|--------------------|------------|-------------------|----------------|--------------------|--|----------------|
| 6 | 1 | 333 | 300 | 9 | .333 | 70% | 30 |

5.1.2. TEST AND MEASUREMENT SYSTEM

SYSTEM OVERVIEW

The measurement system is based on a conducted test method.

The short pulse and long pulse signal generating system utilizes the NTIA software. The Vector Signal Generator has been validated by the NTIA. The hopping signal generating system utilizes the CCS simulated hopping method and system, which has been validated by the DoD, FCC and NTIA. The software selects waveform parameters from within the bounds of the signal type on a random basis using uniform distribution.

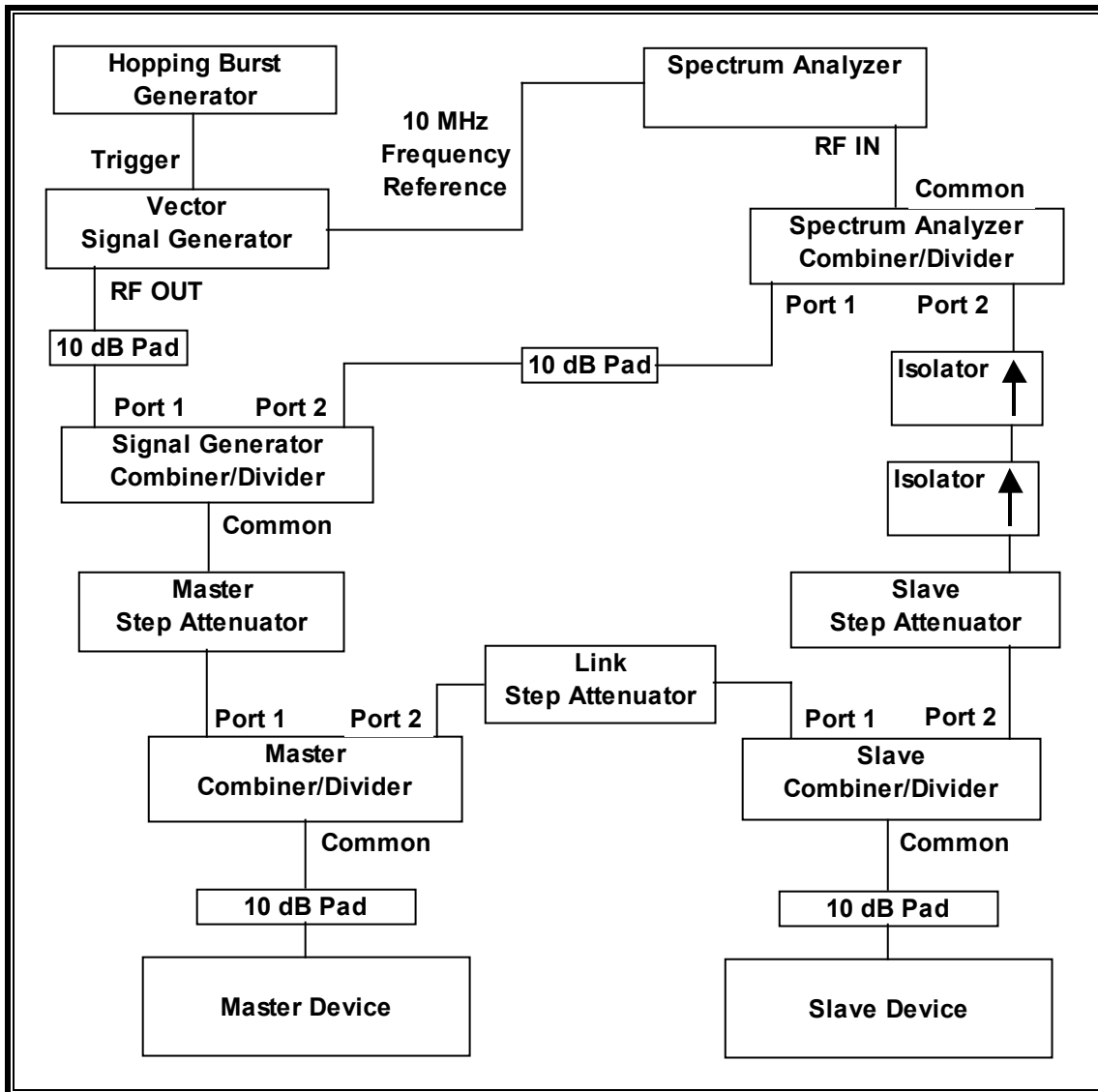
The short pulse types 2, 3 and 4, and the long pulse type 5 parameters are randomized at run-time.

The hopping type 6 pulse parameters are fixed while the hopping sequence is based on the August 2005 NTIA Hopping Frequency List. The initial starting point randomized at run-time and each subsequent starting point is incremented by 475. Each frequency in the 100-length segment is compared to the boundaries of the EUT Detection Bandwidth and the software creates a hopping burst pattern in accordance with Section 7.4.1.3 Method #2 Simulated Frequency Hopping Radar Waveform Generating Subsystem of FCC 06-96 APPENDIX. The frequency of the signal generator is incremented in 1 MHz steps from F_L to F_H for each successive trial. This incremental sequence is repeated as required to generate a minimum of 30 total trials and to maintain a uniform frequency distribution over the entire Detection Bandwidth.

The signal monitoring equipment consists of a spectrum analyzer set to display 8001 bins on the horizontal axis. The time-domain resolution is 2 msec / bin with a 16 second sweep time, meeting the 10 second short pulse reporting criteria. The aggregate ON time is calculated by multiplying the number of bins above a threshold during a particular observation period by the dwell time per bin, with the analyzer set to peak detection and max hold. The time-domain resolution is 3 msec / bin with a 24 second sweep time, meeting the 22 second long pulse reporting criteria and allowing a minimum of 10 seconds after the end of the long pulse waveform.

Should multiple RF ports be utilized for the Master and/or Slave devices (for example, for diversity or MIMO implementations), additional combiner/dividers are inserted between the Master Combiner/Divider and the 10 dB pad connected to the Master Device (and/or between the Slave Combiner/Divider and the 10 dB pad connected to the Slave Device). Additional 10 dB pads are connected as needed, such that there is one pad at each RF port on each EUT.

CONDUCTED METHOD SYSTEM BLOCK DIAGRAM



SYSTEM CALIBRATION

Connect the spectrum analyzer to the test system in place of the master device. Set the signal generator to CW mode. Adjust the amplitude of the signal generator to yield a measured level of -64 dBm on the spectrum analyzer.

Without changing any of the instrument settings, reconnect the spectrum analyzer to the Common port of the Spectrum Analyzer Combiner/Divider and connect a 50 ohm load to the Master Device port of the test system.

Measure the amplitude and calculate the difference from -64 dBm. Adjust the Reference Level Offset of the spectrum analyzer to this difference. Confirm that the signal is displayed at -64 dBm. Readjust the RBW and VBW to 3 MHz, set the span to 10 MHz, and confirm that the signal is still displayed at -64 dBm.

The spectrum analyzer displays the level of the signal generator as received at the antenna ports of the Master Device. The interference detection threshold may be varied from the calibrated value of -64 dBm and the spectrum analyzer will still indicate the level as received by the Master Device.

Set the signal generator to produce a radar waveform, trigger a burst manually and measure the level on the spectrum analyzer. Readjust the amplitude of the signal generator as required so that the peak level of the waveform is at a displayed level equal to the required or desired interference detection threshold. Separate signal generator amplitude settings are determined as required for each radar type.

ADJUSTMENT OF DISPLAYED TRAFFIC LEVEL

Establish a link between the Master and Slave, adjusting the Link Step Attenuator as needed to provide a suitable received level at the Master and Slave devices. Stream the video test file to generate WLAN traffic. Confirm that the WLAN traffic level, as displayed on the spectrum analyzer, is at lower amplitude than the radar detection threshold. Confirm that the displayed traffic is from the Master Device. Confirm that the displayed traffic does not include Slave Device traffic.

If a different setting of the Master Step Attenuator is required to meet the above conditions, perform a new System Calibration for the new Master Step Attenuator setting.

5.1.3. TEST AND MEASUREMENT EQUIPMENT

The following test and measurement equipment was utilized for the tests documented in this report:

| TEST EQUIPMENT LIST | | | | |
|--------------------------------------|----------------------|----------|---------------|-----------|
| Description | Manufacturer | Model | Serial Number | Cal Due |
| Spectrum Analyzer 3 Hz ~ 44 GHz | Agilent / HP | E4446A | US42070220 | 7/26/2007 |
| Vector Signal Generator 250kHz-20GHz | Agilent / HP | E8267C | US43320336 | 11/2/2007 |
| High Speed Digital I/O Card | National Instruments | PCI-6534 | HA1612845 | 1/16/2008 |

5.1.4. DESCRIPTION OF EUT

OVERVIEW OF EUT SLAVE DEVICE

The EUT operates over the 5470-5725 MHz range.

The EUT is a Client Device that does not have radar detection capability.

The highest power level is 30 dBm.

The antenna assembly utilized with the EUT has a gain of 20 dBi.

All of the 50-ohm Tx/Rx antenna ports are connected to the test system to perform conducted tests.

WLAN traffic is generated by streaming the video file TestFile.mp2 "6 ½ Magic Hours" from the Master to the Slave in full motion video mode using the media player with the V2.61 Codec package.

TPC is required since the maximum EIRP is greater than or equal to 500 mW (27 dBm).

The EUT utilizes an 802.11a IP based architecture. Two nominal channel bandwidths, 10 MHz and 20 MHz, are implemented.

OVERVIEW OF MASTER DEVICE

The Master Device is an Alvarion Access Point, FCC ID: LKT-VL-53C.

The rated output power of the Master unit is > 23dBm (EIRP). Therefore the required interference threshold level is -64 dBm. After correction for antenna gain and procedural adjustments, the required conducted threshold at the antenna port is $-64 + 15 + 1 = -48$ dBm.

The calibrated conducted DFS Detection Threshold level is set to -48 dBm.

The software installed in the access point is A4_5xx.bz revision C.

INFORMATION REGARDING TPC

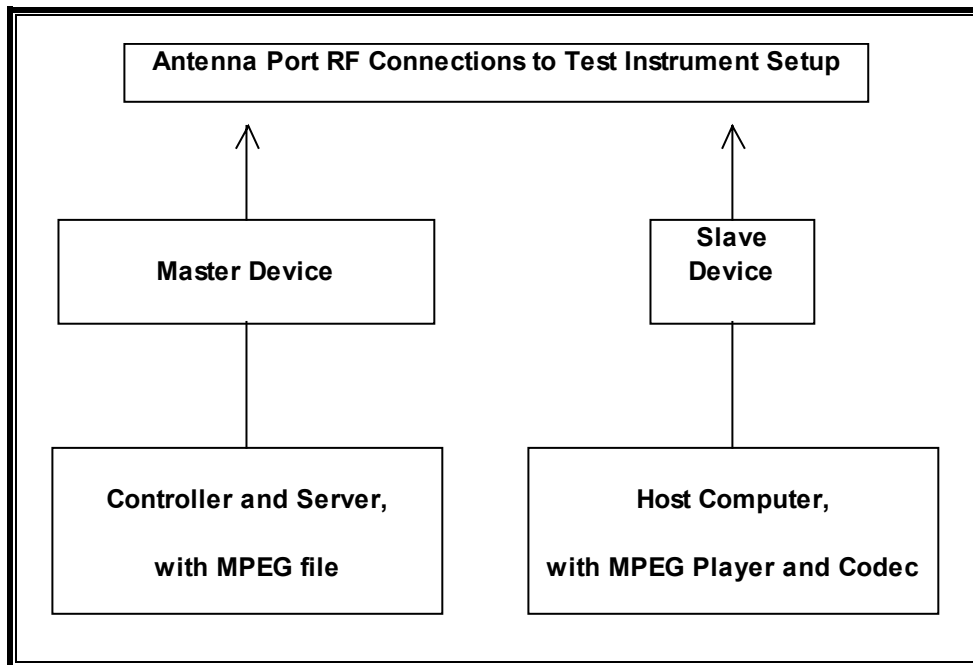
The TPC power levels and EIRP calculations are in a separate document.

5.1.5. SETUP OF EUT

SUPPORT EQUIPMENT

| PERIPHERAL SUPPORT EQUIPMENT LIST | | | | |
|-----------------------------------|--------------|----------------|-------------------|------------|
| Description | Manufacturer | Model | Serial Number | FCC ID |
| AC Adapter | Compaq | PPP012L | 3300371601 | DoC |
| Laptop | Compaq | Presario 3000 | CNU327025L | DoC |
| AC Adapter | Compaq | PPP012L | N/A | DoC |
| Laptop | Compaq | Presario 3000 | N/A | DoC |
| AC Adapter | Alvarion | 0334B5555 | 55114-B211 | DoC |
| Master | Alvarion | AU-E-SA-5.X-VL | 00-10-E7-C4-00-81 | LKT-VL-53C |
| AC Adapter | Alvarion | 0334B5555 | 6597551 | DoC |

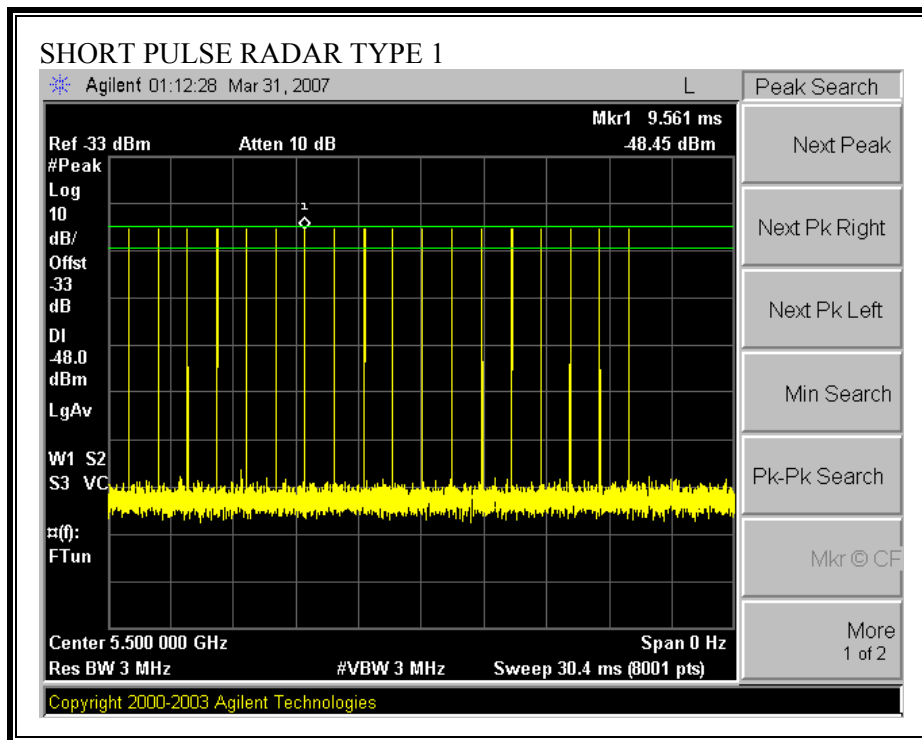
TEST SETUP



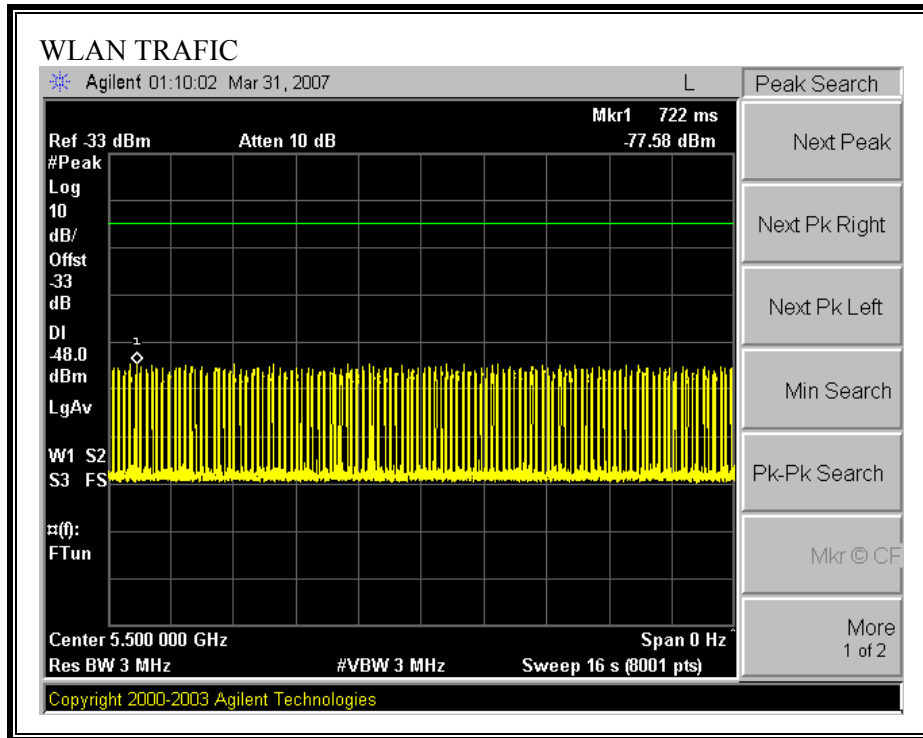
5.2. 10 MHz BANDWIDTH RESULTS

5.2.1. PLOTS OF RADAR WAVEFORM AND WLAN TRAFFIC

PLOT OF RADAR WAVEFORM



PLOT OF WLAN TRAFFIC FROM SLAVE



5.2.2. TEST CHANNEL AND METHOD

All tests were performed at a channel center frequency of 5500 MHz utilizing a conducted test method.

5.2.3. CHANNEL MOVE TIME AND CHANNEL CLOSING TRANSMISSION TIME

GENERAL REPORTING NOTES

The reference marker is set at the end of last radar pulse.

The delta marker is set at the end of the last WLAN transmission following the radar pulse. This delta is the channel move time.

The aggregate channel closing transmission time is calculated as follows:

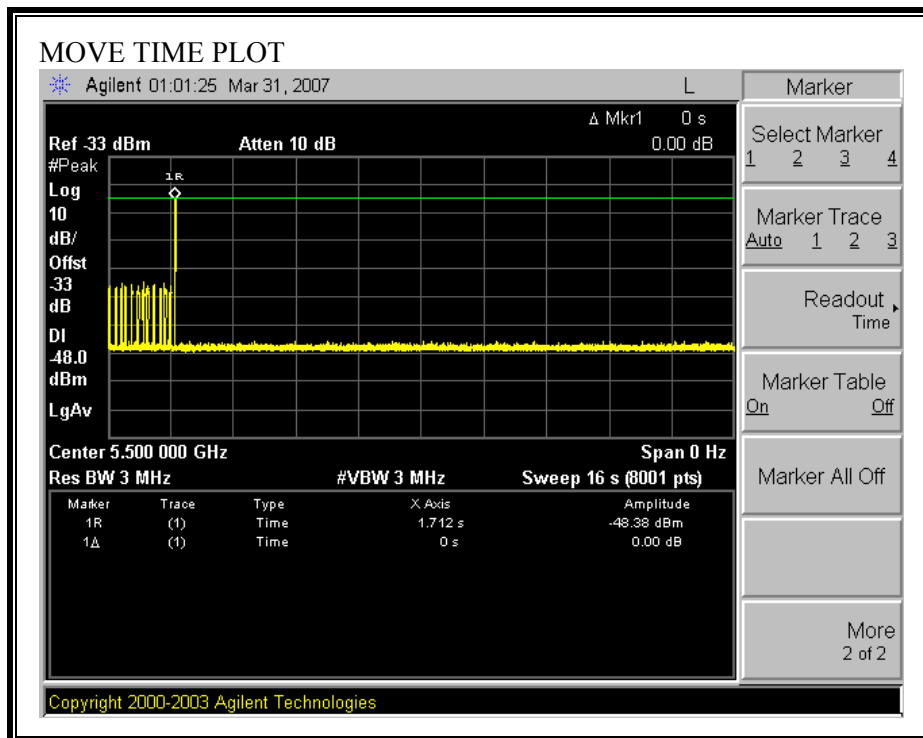
Aggregate Transmission Time =
(Number of analyzer bins showing transmission) * (dwell time per bin)

The observation period over which the aggregate time is calculated
Begins at (Reference Marker + 200 msec)
and
Ends no earlier than (Reference Marker + 10 sec).

CHANNEL MOVE TIME RESULTS

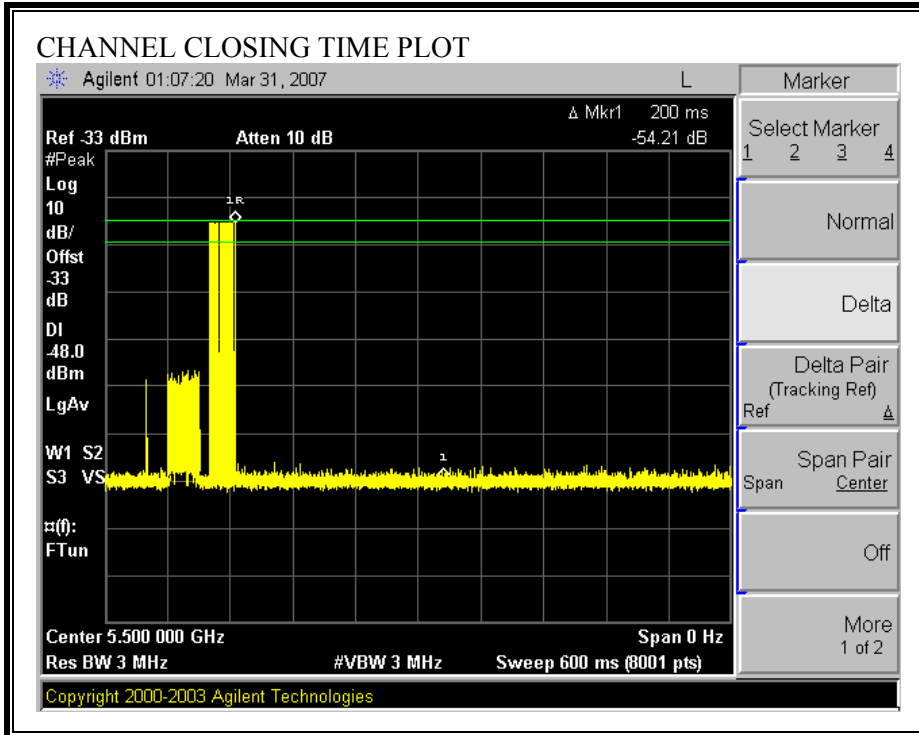
No non-compliance noted:

| Channel Move Time (s) | Limit (s) |
|--------------------------|--------------|
| 0.000 | 10 |



CHANNEL CLOSING TIME RESULTS

No non-compliance noted:

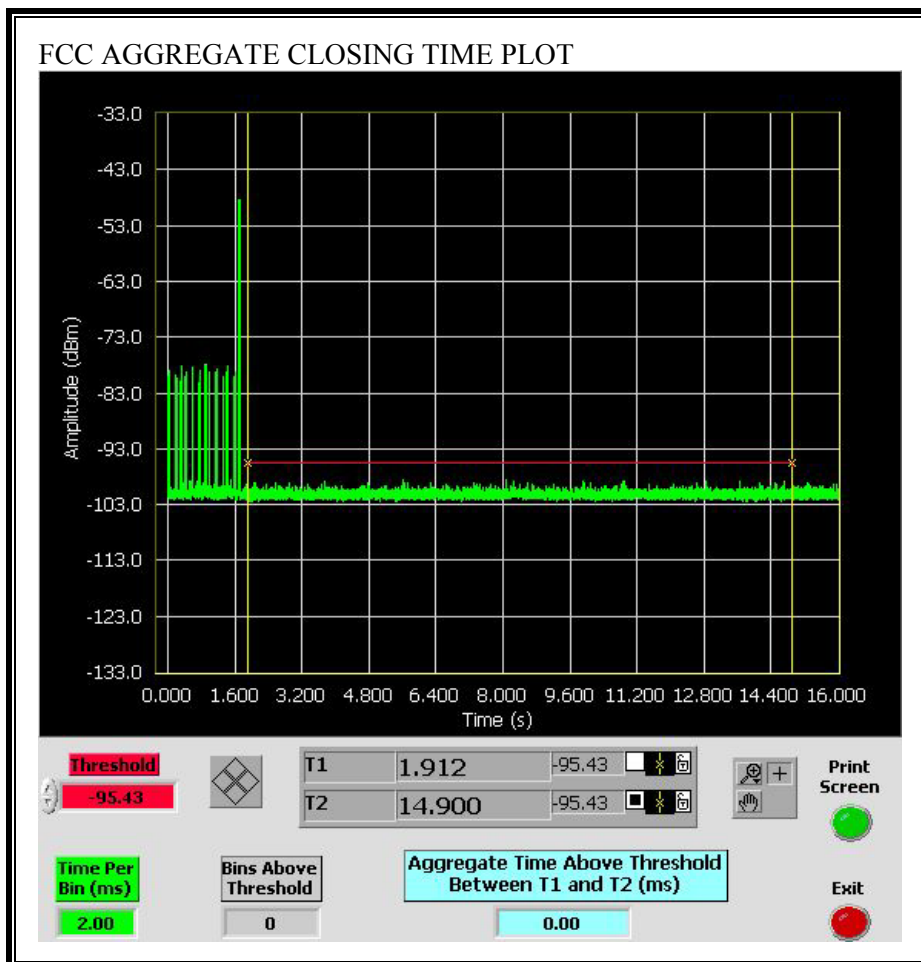


FCC AGGREGATE CHANNEL CLOSING TRANSMISSION TIME RESULTS

No non-compliance noted:

| Aggregate Transmission Time (ms) | Limit (ms) | Margin (ms) |
|----------------------------------|------------|-------------|
| 0.00 | 60 | 60.00 |

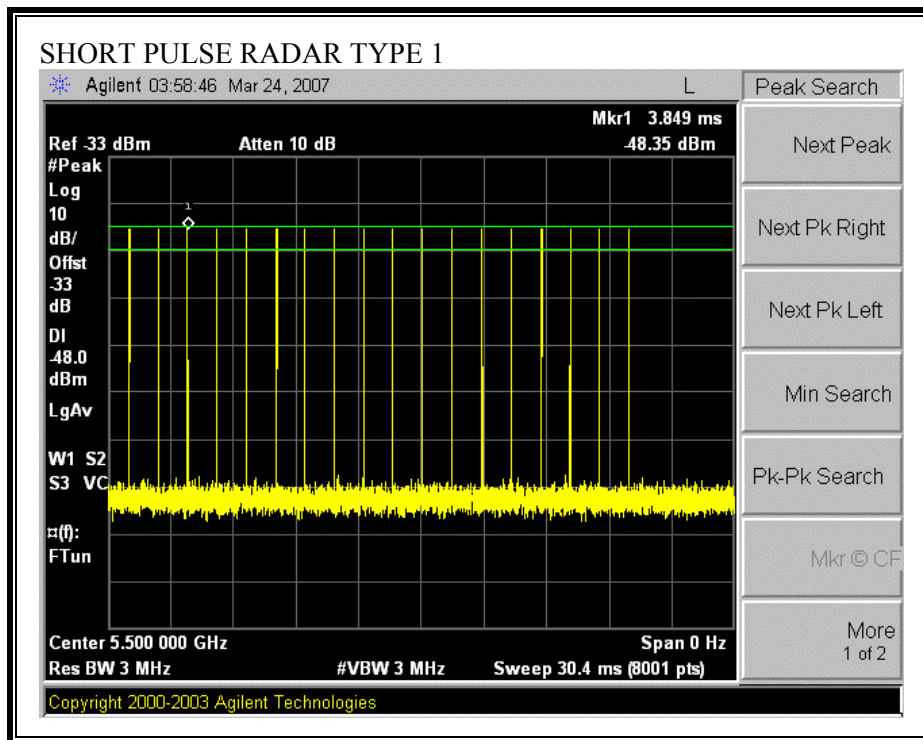
No transmissions are observed during the aggregate monitoring period.



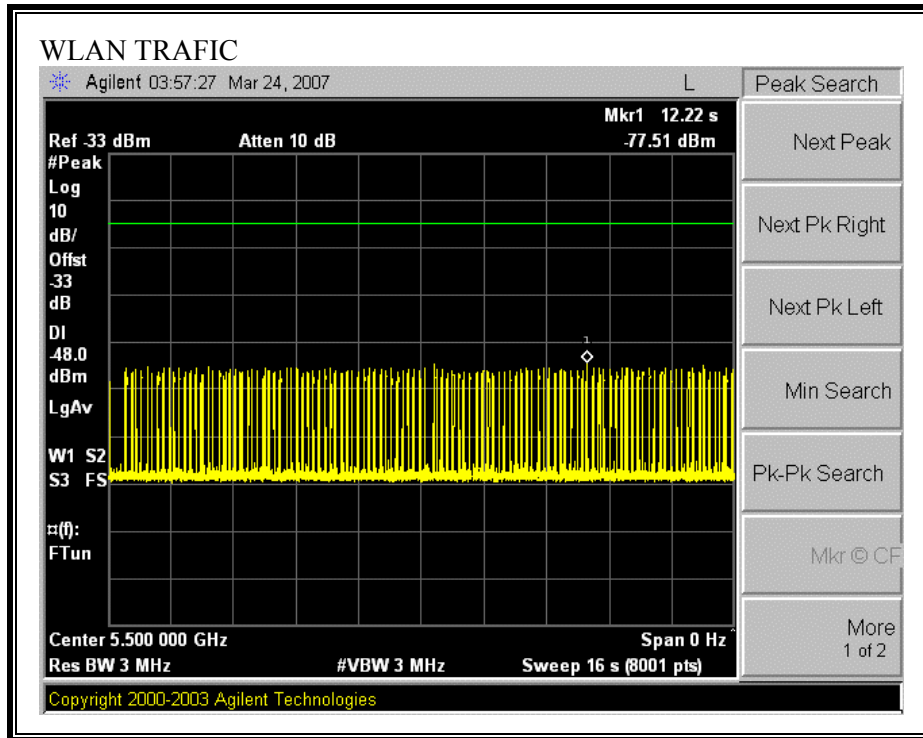
5.3. 20 MHz BANDWIDTH RESULTS

5.3.1. PLOTS OF RADAR WAVEFORM AND WLAN TRAFFIC

PLOT OF RADAR WAVEFORM



PLOT OF WLAN TRAFFIC FROM SLAVE



5.3.2. TEST CHANNEL AND METHOD

All tests were performed at a channel center frequency of 5500 MHz utilizing a conducted test method.

5.3.3. CHANNEL MOVE TIME AND CHANNEL CLOSING TRANSMISSION TIME

GENERAL REPORTING NOTES

The reference marker is set at the end of last radar pulse.

The delta marker is set at the end of the last WLAN transmission following the radar pulse. This delta is the channel move time.

The aggregate channel closing transmission time is calculated as follows:

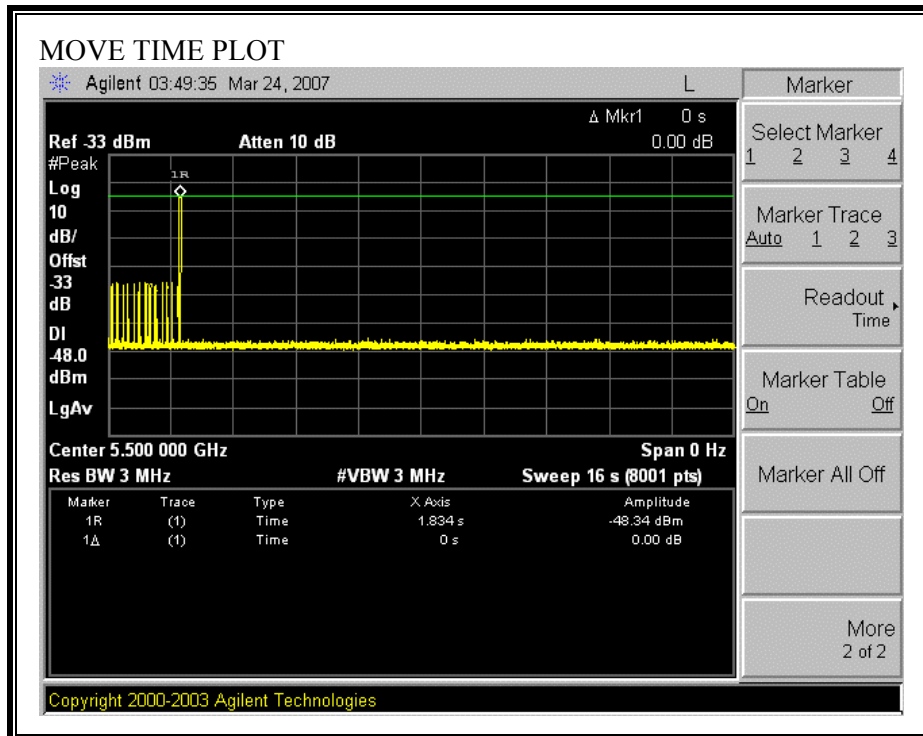
Aggregate Transmission Time =
(Number of analyzer bins showing transmission) * (dwell time per bin)

The observation period over which the aggregate time is calculated
Begins at (Reference Marker + 200 msec)
and
Ends no earlier than (Reference Marker + 10 sec).

CHANNEL MOVE TIME RESULTS

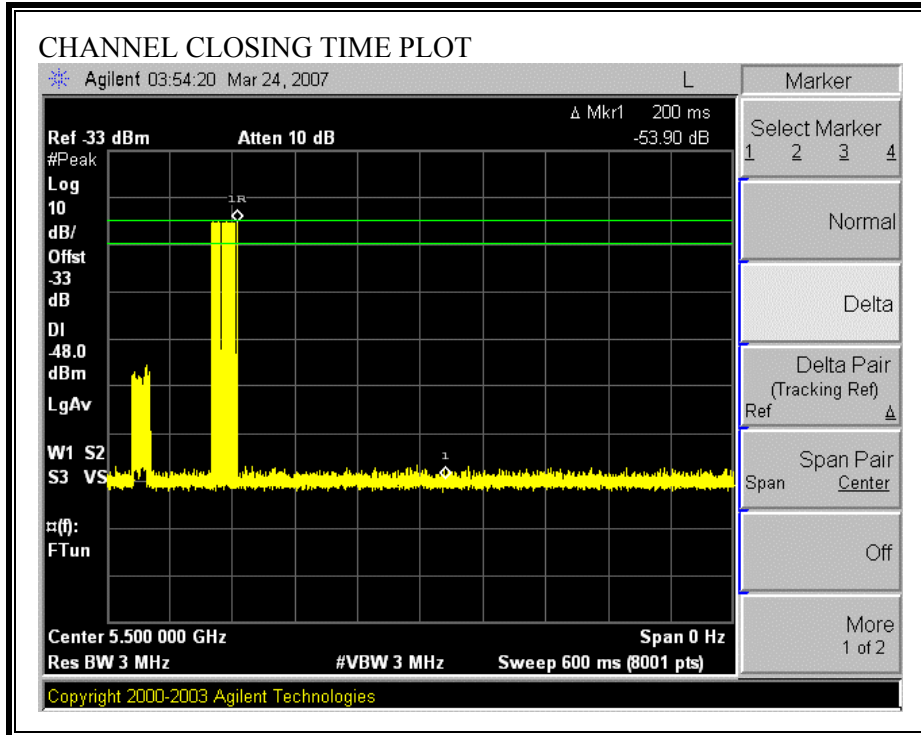
No non-compliance noted:

| Channel Move Time (s) | Limit (s) |
|-----------------------|-----------|
| 1.900 | 10 |



CHANNEL CLOSING TIME RESULTS

No non-compliance noted:

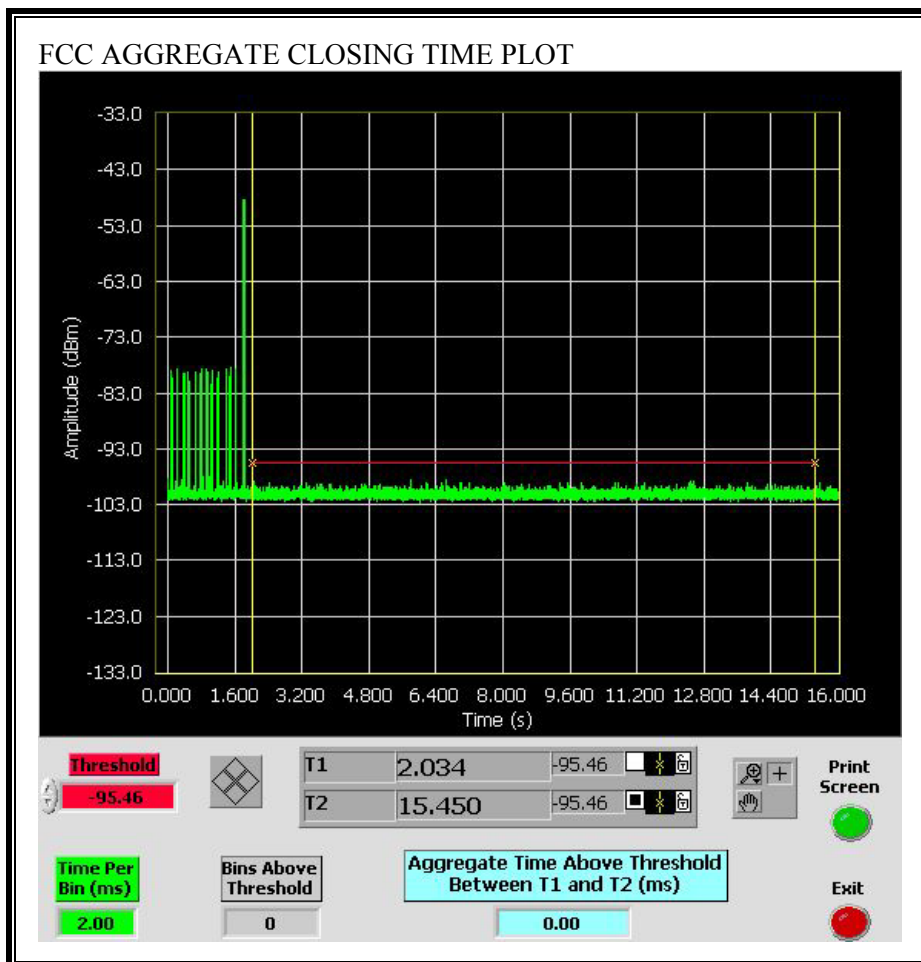


FCC AGGREGATE CHANNEL CLOSING TRANSMISSION TIME RESULTS

No non-compliance noted:

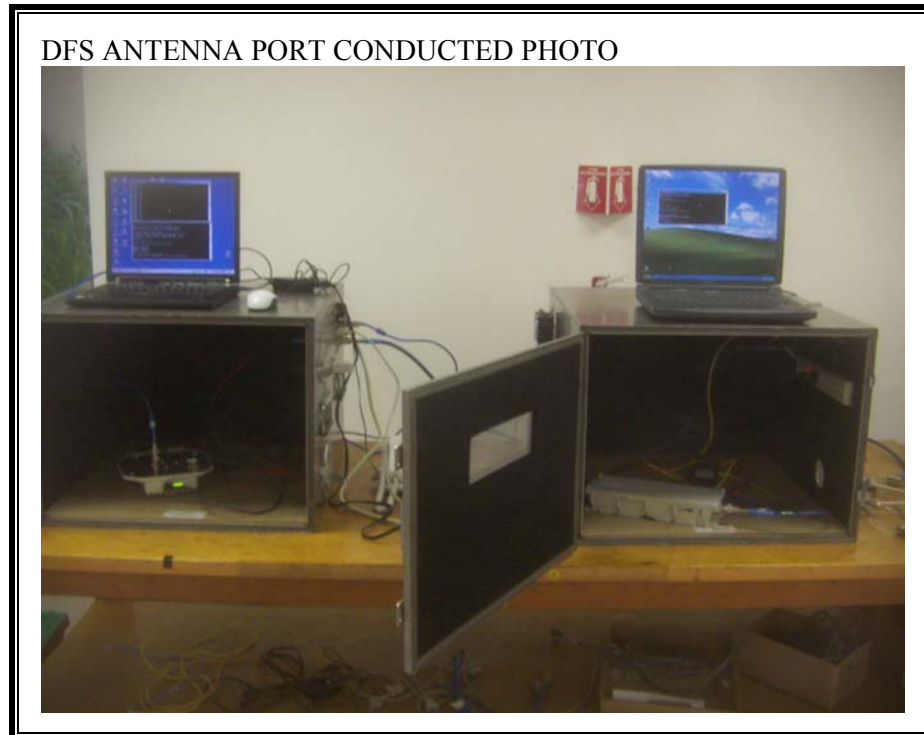
| Aggregate Transmission Time (ms) | Limit (ms) | Margin (ms) |
|----------------------------------|------------|-------------|
| 0.00 | 60 | 60.00 |

No transmissions are observed during the aggregate monitoring period.



6. SETUP PHOTOS

DFS MEASUREMENT SETUP



END OF REPORT