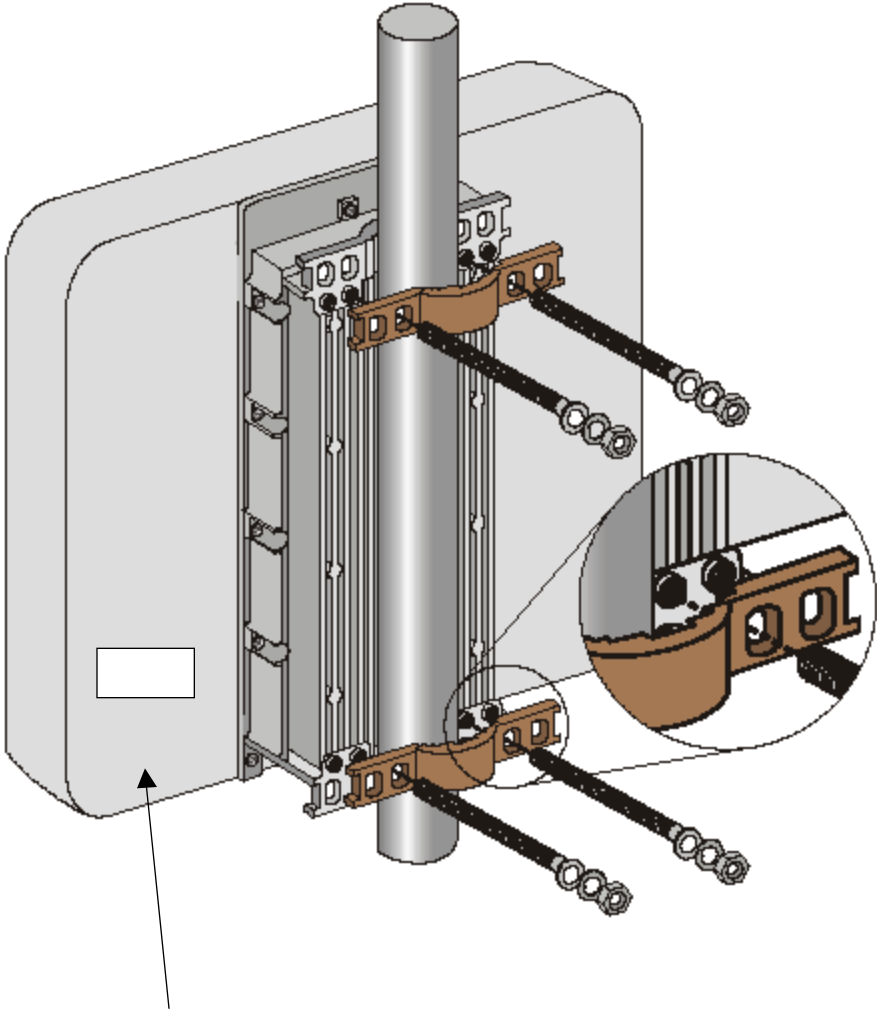


BreezeCOM MMDS Outdoor Subscriber Unit with 17dBi integrated antenna

This antenna is 12 inches square by 1 inch.



CAUTION: To comply with FCC RF exposure requirements in section 1.1307, a minimum separation distance of 56cm (22 inches) is required between this antenna and all persons.

This label, 2.0 inches by 6.0 inches, 14pt black type, will be placed on the antenna/radio unit.