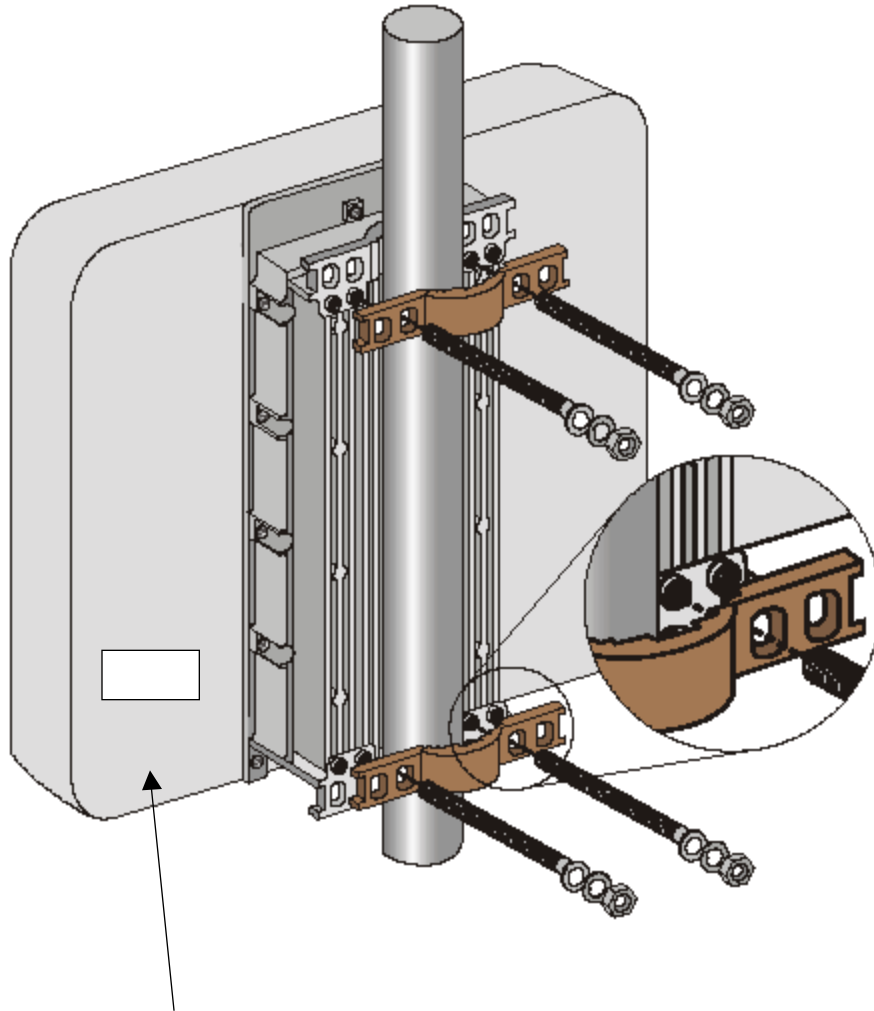


BreezeCOM MMDS Outdoor Subscriber Unit with 17dBi integrated antenna

This antenna is 12 inches square by 1 inch.



CAUTION: To comply with FCC RF exposure requirements in section 1.1307, a minimum separation distance of 64cm (26 inches) is required between this antenna and all persons.

This label, 1.0 inches by 3.0 inches, will be placed on the antenna/radio unit.