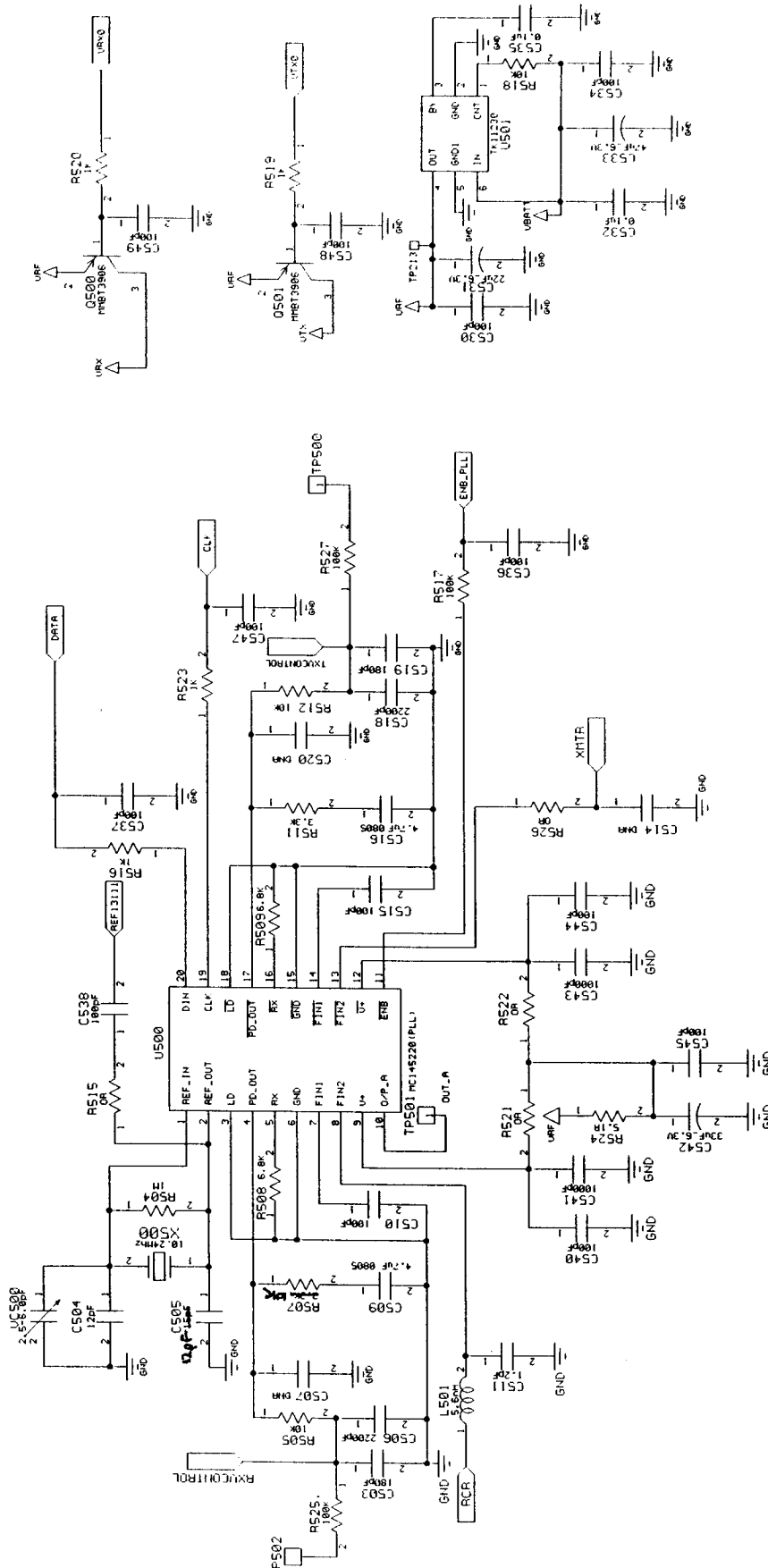


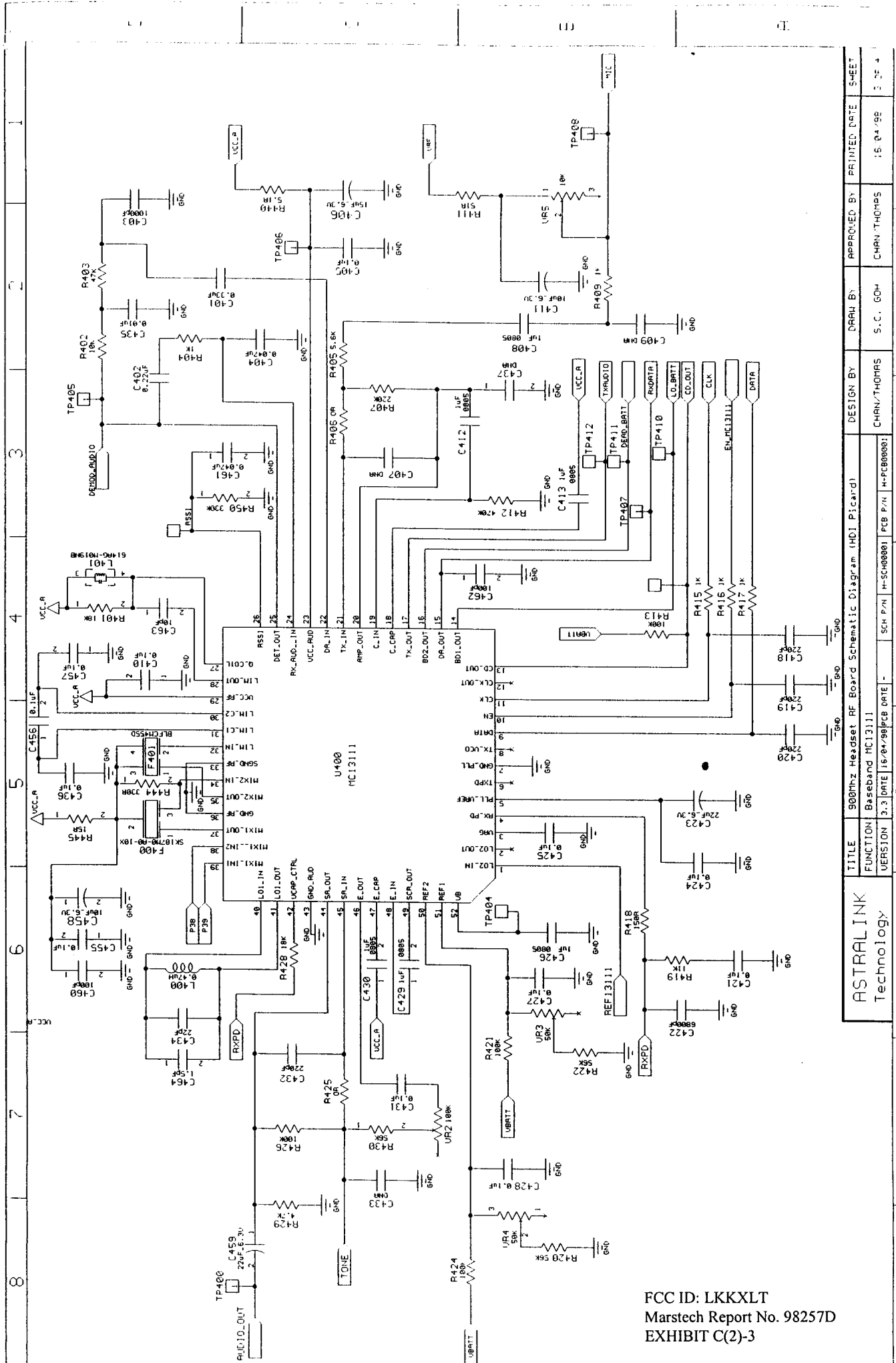
ASTRALINK Technology		900MHz Headset RF Board Schematic Diagram (HD) P1card1		DESIGN BY	APPROVED BY	PRINTED DATE	SHEET
VERSION	3.3 [date] [15:04:30] PC DATE	SCM P/N	[H-Sch00000]	CHARL THOMAS	CHARL THOMAS	16 04 98	1 OF 4
FUNCTION	RF Front End	PCB P/N	[H-PCB00000]	S. C. GOH			



FCC ID: LKKXLT  
 Marstech Report No. 98257D  
 EXHIBIT C(2)-2

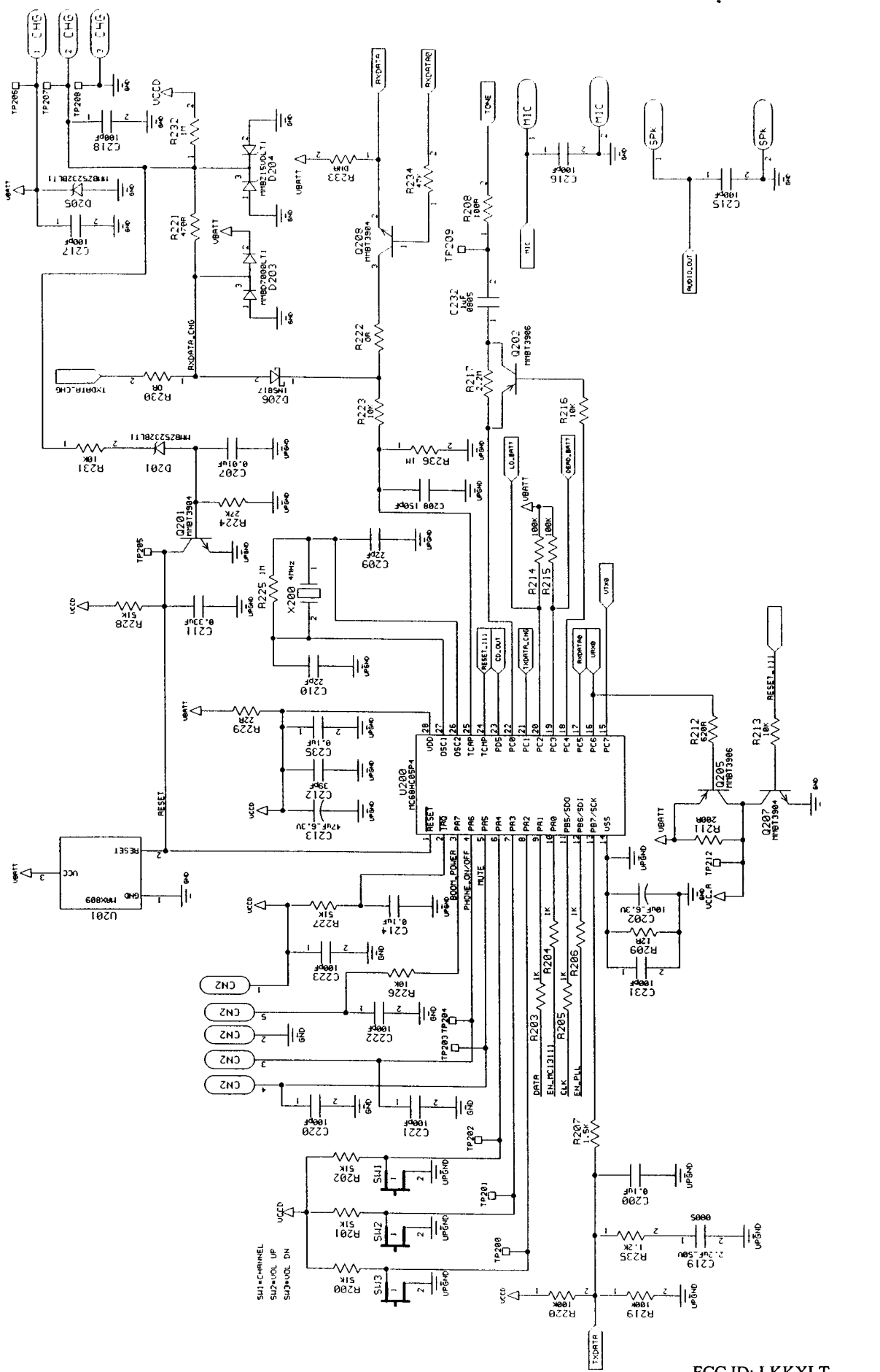
TITLE		900MHz Headset RF Board Schematic Diagram (HDI-Picard)	
FUNCTION		PLL and Highband IF	
VERSION		3.3 DATE 16/04/98 PCB DATE -	
DESIGN BY		CHARL THOMAS	
DRAWN BY		S. C. GOH	
APPROVED BY		CHARL THOMAS	
PRINTED DATE		15 04 98	
PAGE		2 OF 2	

ASTRALINK  
 Technology



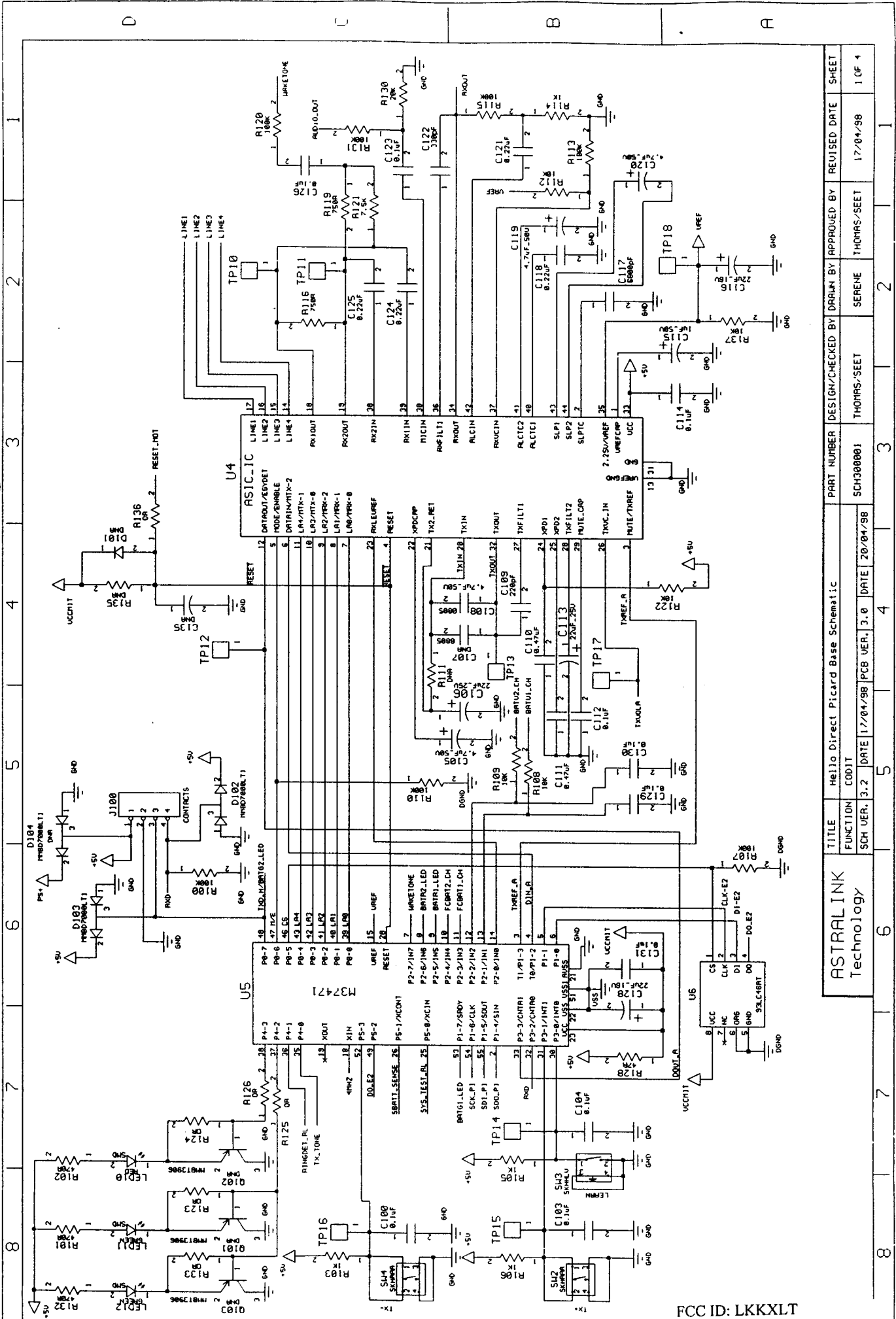
TITLE	900MHz Headset RF Board Schematic Diagram (MCL3111)	DESIGN BY	CHAR/THOMAS	APPROVED BY	CHAR/THOMAS	PRINTED DATE	SHEET
FUNCTION	Baseband MCL3111	PCB P/N	H-PCB0000	H-PCB0000	H-PCB0000	15.04.98	3 of 4
VERSION	3.3	DATE	15/04/98	PCB P/N	H-PCB0000		

FCC ID: LKKXLT  
Marstech Report No. 98257D  
EXHIBIT C(2)-3

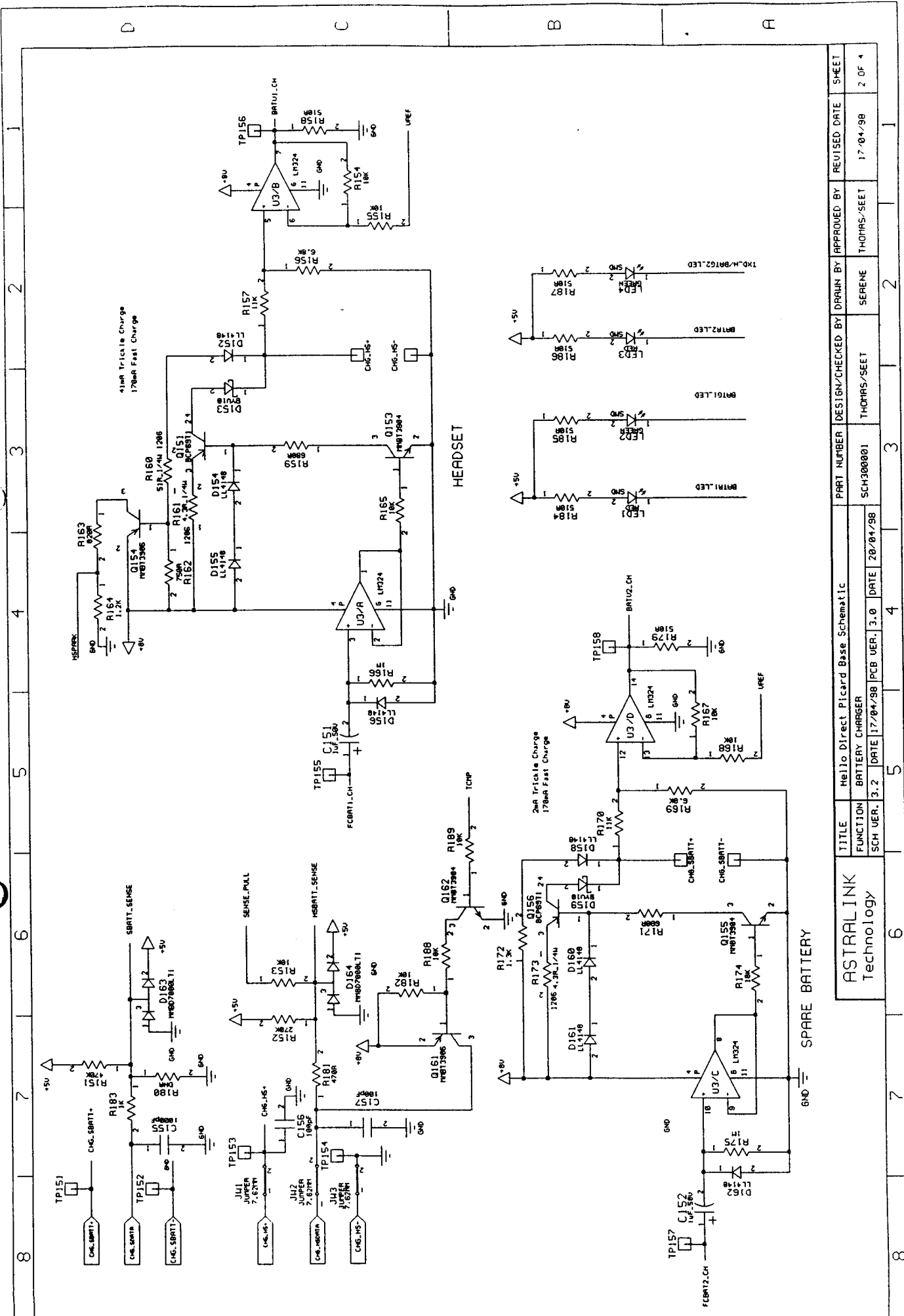


TITLE	900MHz Headset RF Board Schematic Diagram (HDI Pickard)	DESIGN BY	CHARL THOMAS	APPROVED BY	CHARL THOMAS	PRINTED DATE	15 04 99	SHEET	4 OF 4
FUNCTION	MicroController	VERSION	3.3 [DATE 16/04/99] [REV DATE -]	SCH P/N	M-SCH000001	PCB P/N	M-PCB000001		
ASTRALINK Technology									

FCC ID: LKKXLT  
 Marstech Report No. 98257D  
 EXHIBIT C(2)-4



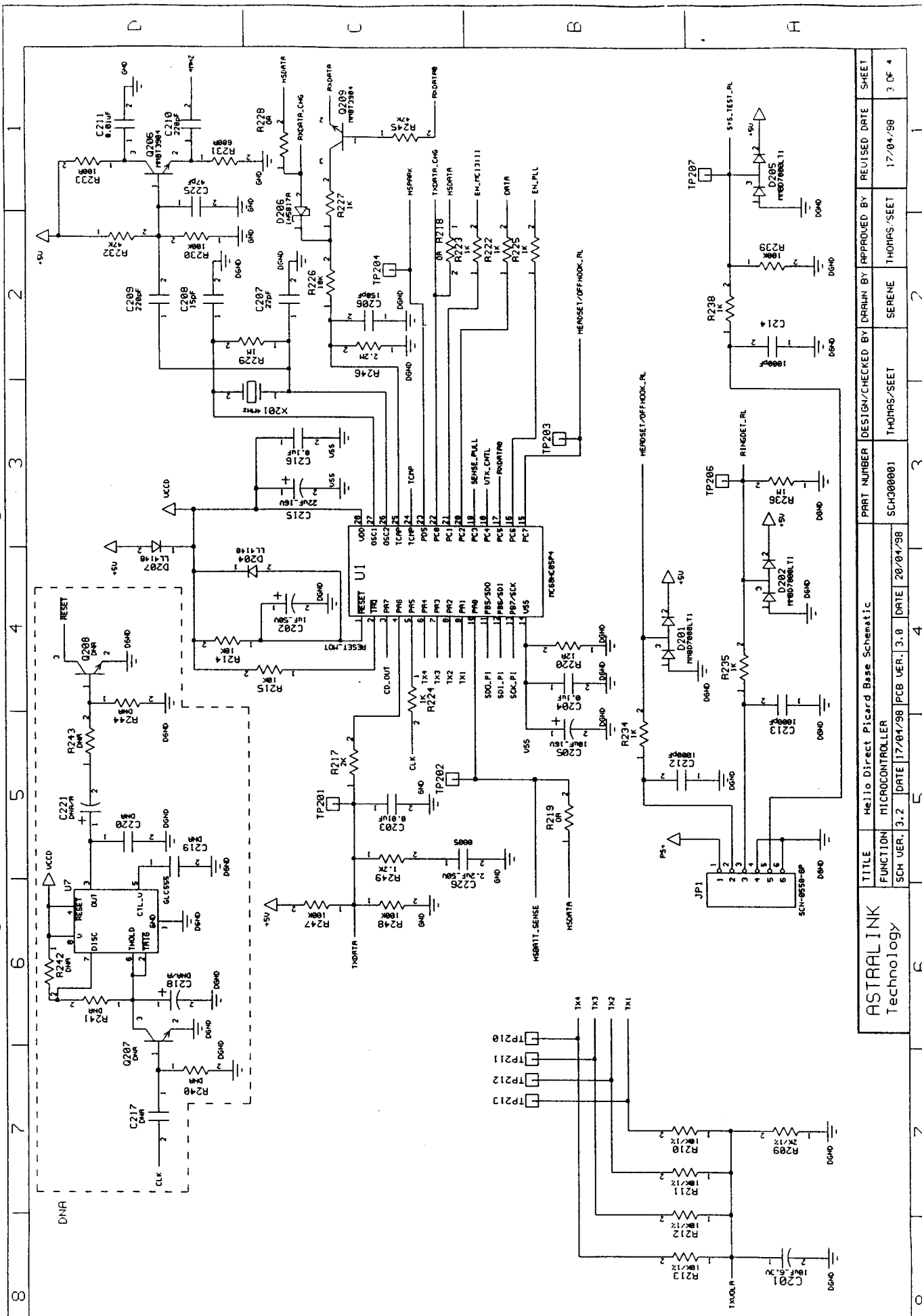
1	2	3	4	5	6	7	8
TITLE		Helio Direct Picard Base Schematic		PART NUMBER		SCH388001	
FUNCTION		CODIT		DESIGN/CHECKED BY		THOMAS-SEET	
SCH. VER.		3.2		DATE		17/04/98	
PCB VER.		3.0		DATE		20/04/98	
DRAWN BY		THOMAS-SEET		APPROVED BY		THOMAS-SEET	
REVISED DATE		17/04/98		SHEET		1 OF 4	



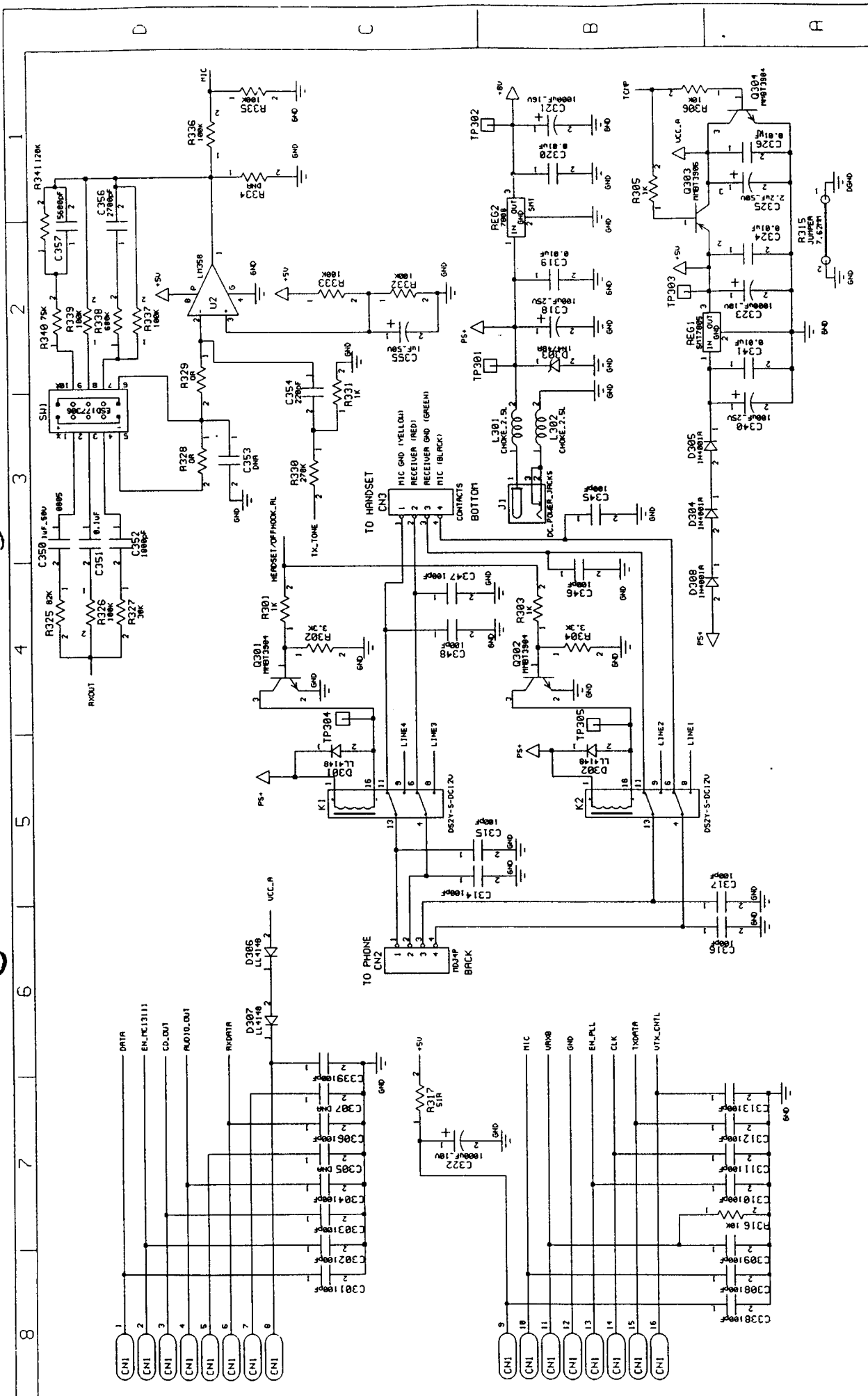
ASTRALINK Technology		Hello Direct Picard Base Schematic		PART NUMBER		DESIGN/CHECKED BY		DRAWN BY		APPROVED BY		REVISED DATE		SHEET	
		BATTERY CHARGER		SCH300001		THOMAS/SEET		SERENE		THOMAS/SEET		17/04/98		2 OF 4	
		SCH VER. 3.2		DATE 20/04/98											

8 7 6 5 4 3 2

8 7 6 5 4 3 2 1



ASTRALINK Technology		SCH VER. 3.2 DATE 17/04/98 PCB VER. 1.0 DATE 20/04/98		PART NUMBER SCH300001		DESIGN/CHECKED BY THOMAS/SEET		APPROVED BY THOMAS/SEET		REVISED DATE 17/04/98		SHEET 3 OF 4	
TITLE Helio Direct Picard Base Schematic													
FUNCTION MICROCONTROLLER													

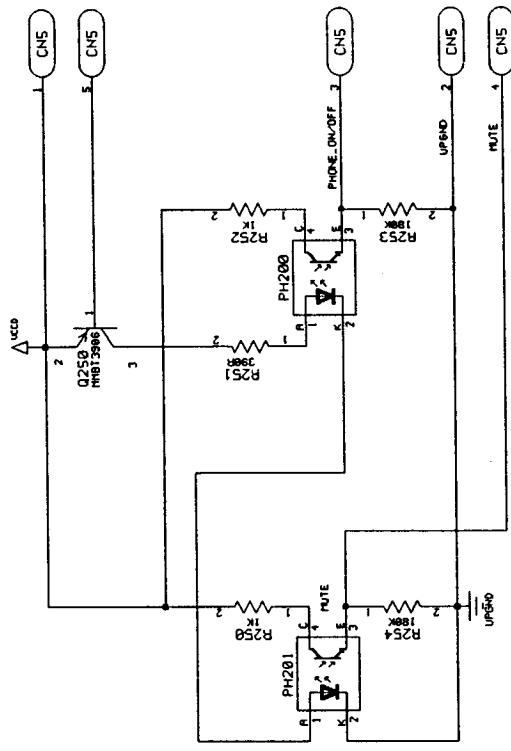


TITLE	FUNCTION	SCH. VER.	DATE	DESIGN/CHECKED BY	DRAWN BY	APPROVED BY	REVISED DATE	SHEET
ASTRALINK Technology	Hello Direct Picard Base Schematic	3.2	17/04/98	THOMAS/SEET	THOMAS/SEET	THOMAS/SEET	17/04/98	4 OF 4



8 7 6 5 4 3 2 1

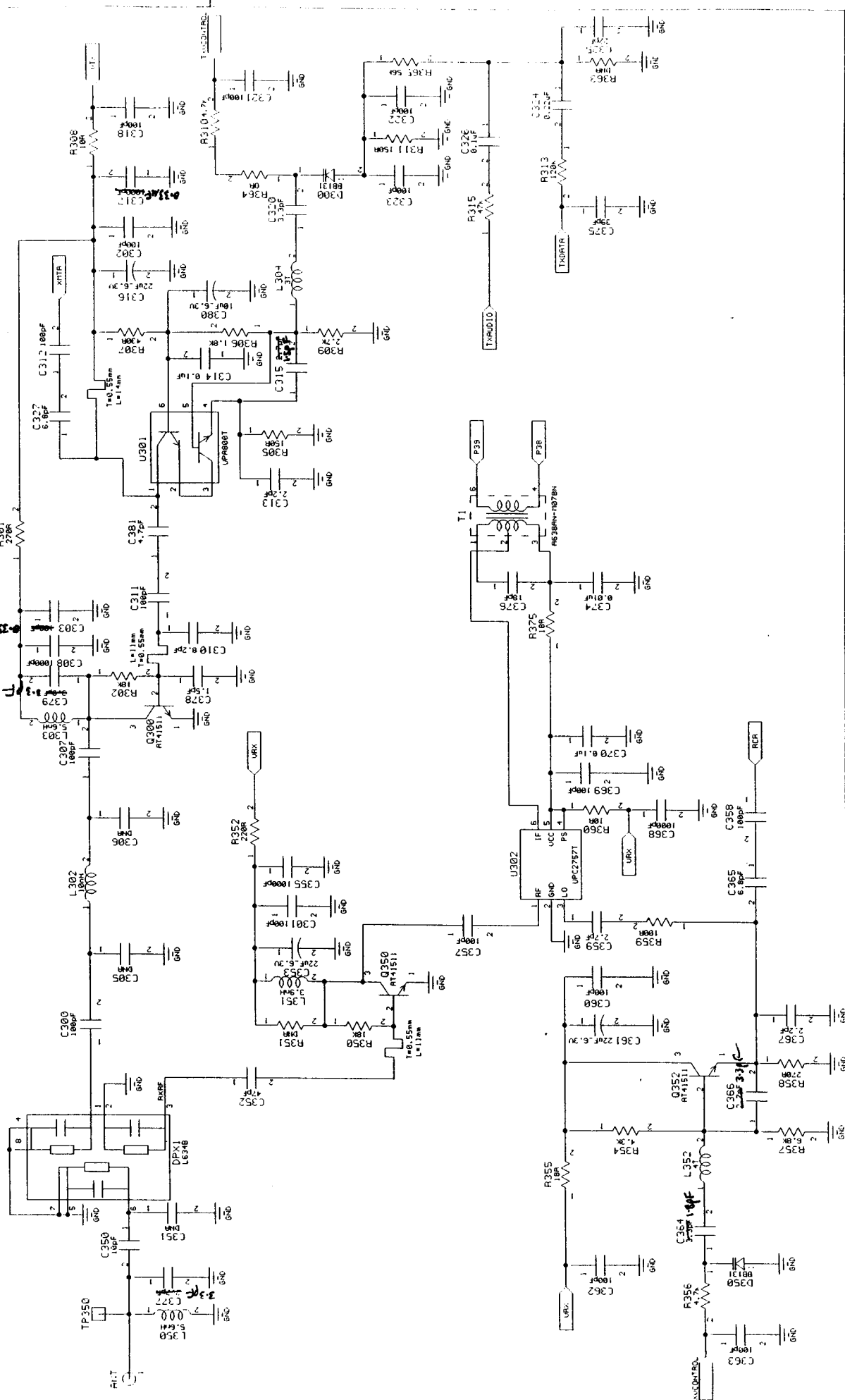
D C B A



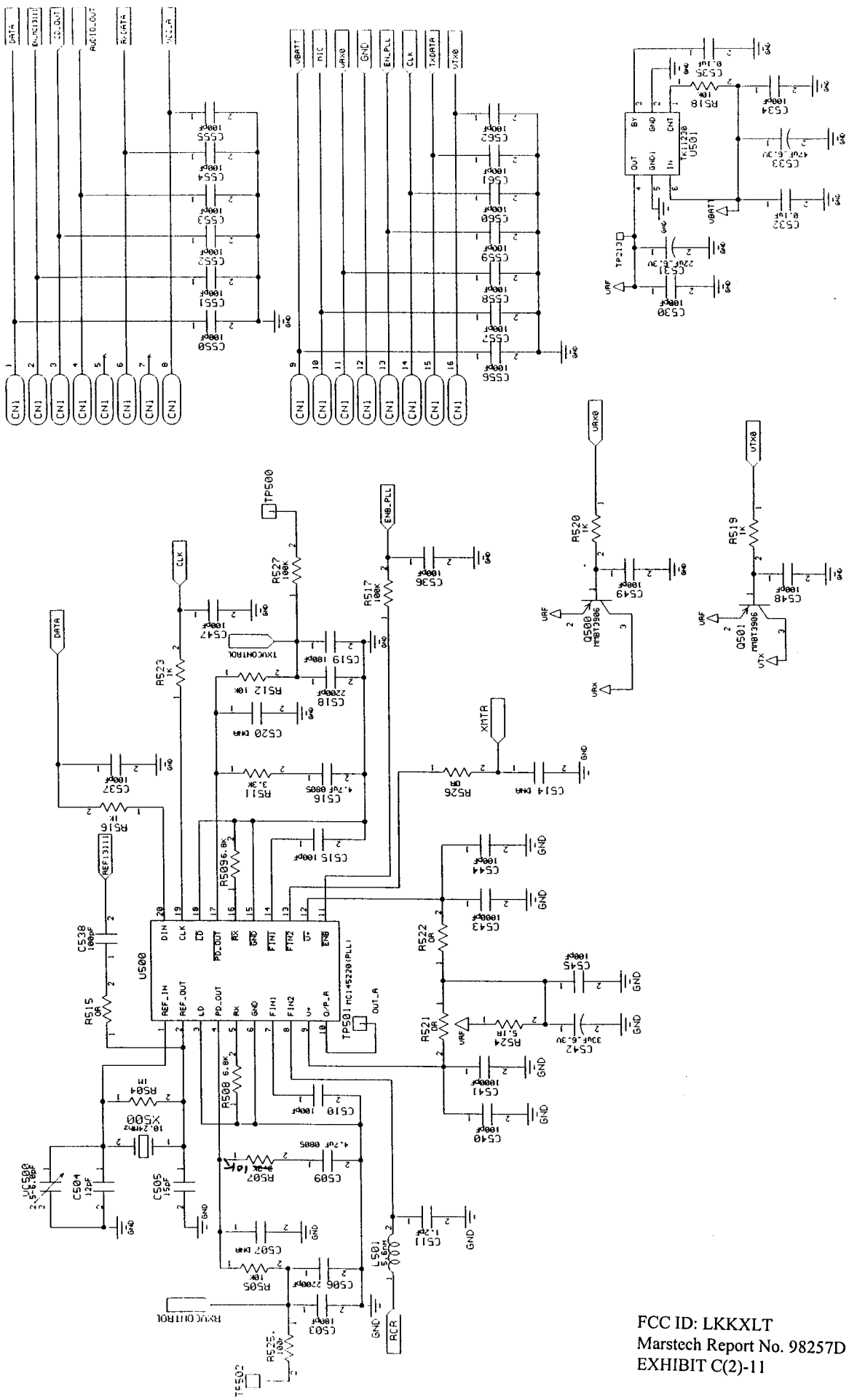
ASTRALINK Technology		TITLE 980MHz Base RF Schematic Diagram (HDI Picard)		PART NUMBER DESIGN/CHECKED BY THOMAS		DRAWN BY APPROVED BY THOMAS		REVISED DATE 13-02-98		SHEET 1 OF 1	
FUNCTION SCH VER. 1.1		DATE 13/02/98 PCB VER. 1		DATE 12/02/98		H-SC000003		SC 60H		1	

6 5 4 3 2 1

FCC ID: LKKXLT  
Marstech Report No. 98257D  
EXHIBIT C(2)-9

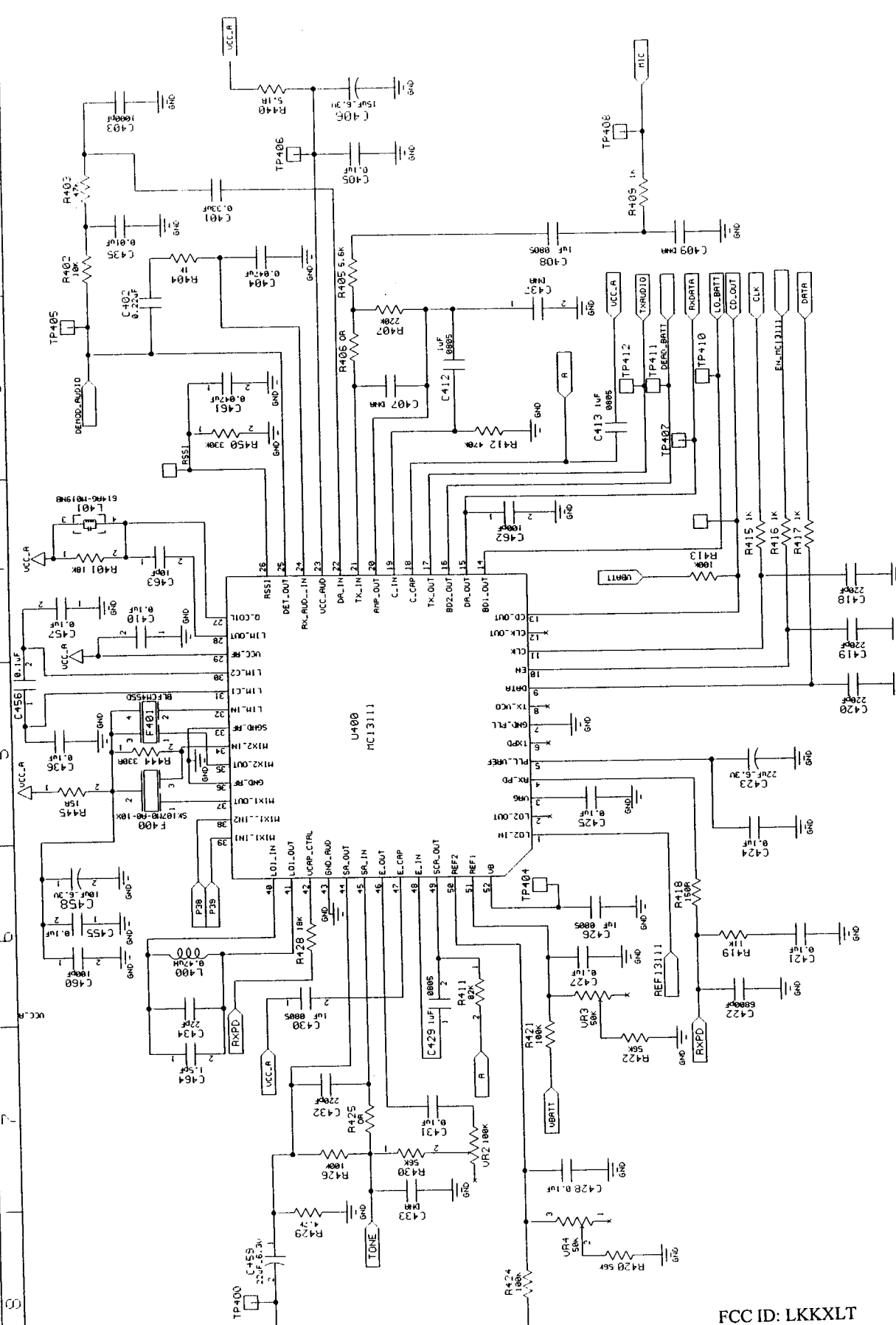


ASTRALINK Technology		900MHz Base RF Board Schematic Diagram (HD) Picard		DESIGN BY	APPROVED BY	PRINTED DATE	SHEET
FUNCTION RF Front End		SCH P/N H-SC9808081 PCB P/N H-PC9808080		CHARL/THOMAS	CHARL/THOMAS	16/01/98	1 OF 3
VERSION 2.2 DATE 16/01/98 PCB DATE -				S.C. GOH			



FCC ID: LKKXLT  
 Marstech Report No. 98257D  
 EXHIBIT C(2)-11

ASTRAL INK Technology	TITLE	900MHz Base RF Board Schematic Diagram (HDI-Picard)	DESIGN BY	CHARN/THOMAS	DRAW BY	S.C. GOH	APPROVED BY	CHARN/THOMAS	PRINTED DATE	16/04/98	SHEET	1 OF 1
	FUNCTION	PLL and Hideband IF										
	VERSION	2.2	DATE	16/04/98	PCB DATE		SCH P/N	M-SC4000001	PCB P/N	M-PCB000001		



TITLE	500MHz Base RE Board Schematic Diagram (HDI Picard)	DESIGN BY	CHARN/THOMAS	APPROVED BY	CHARN/THOMAS	PRINTED DATE	16-04/98	SHEET	3 OF 3
FUNCTION	Baseband MC13111	SCH P/N	H-SCH00001	PCB P/N	H-PCB00001	S.C.	G0H		
VERSION	2.2 [date 16-04/98] PCB DATE								

**ASTRALINK**  
Technology

FCC ID: LKKXLT  
Marstech Report No. 98257D  
EXHIBIT C(2)-12