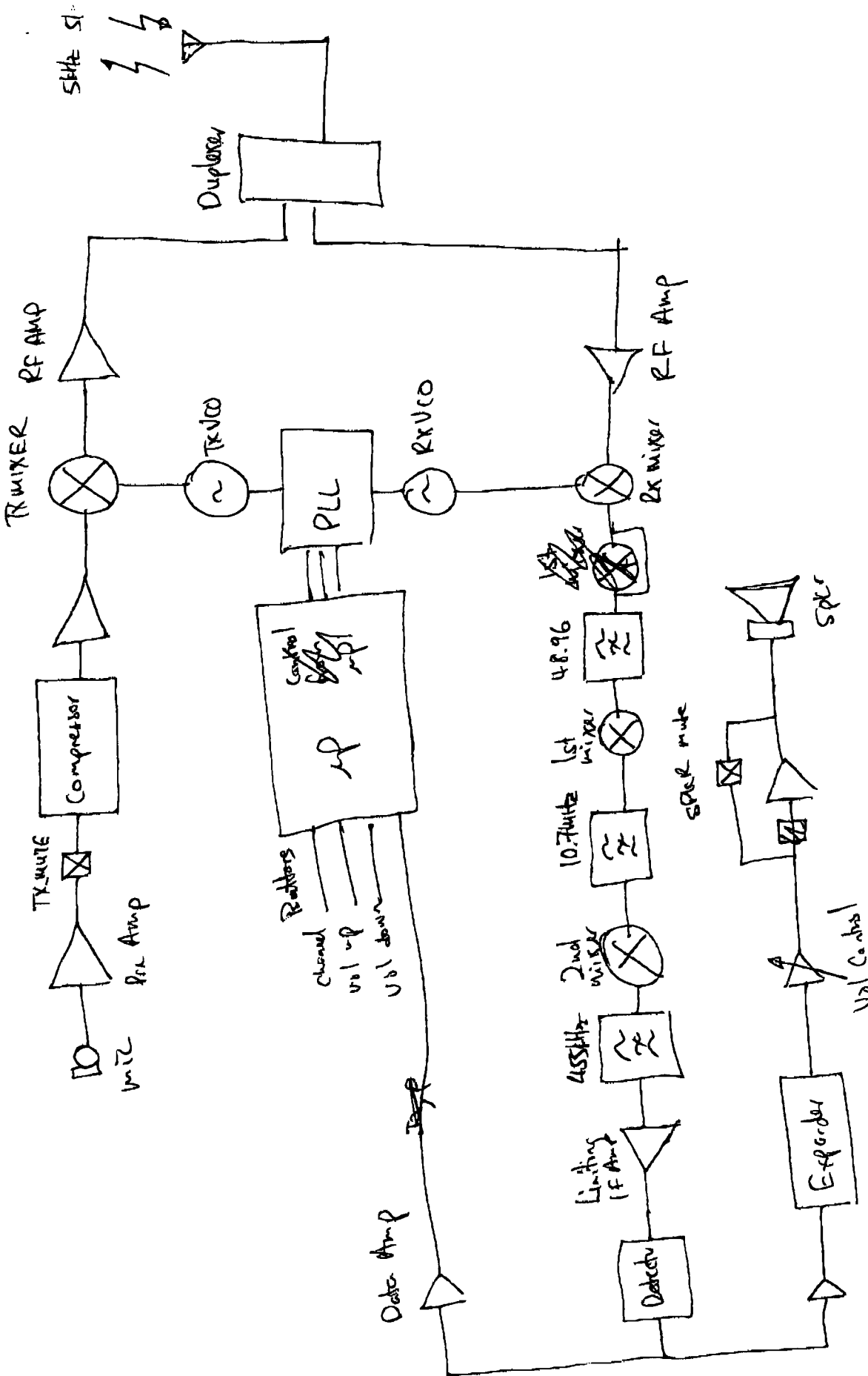


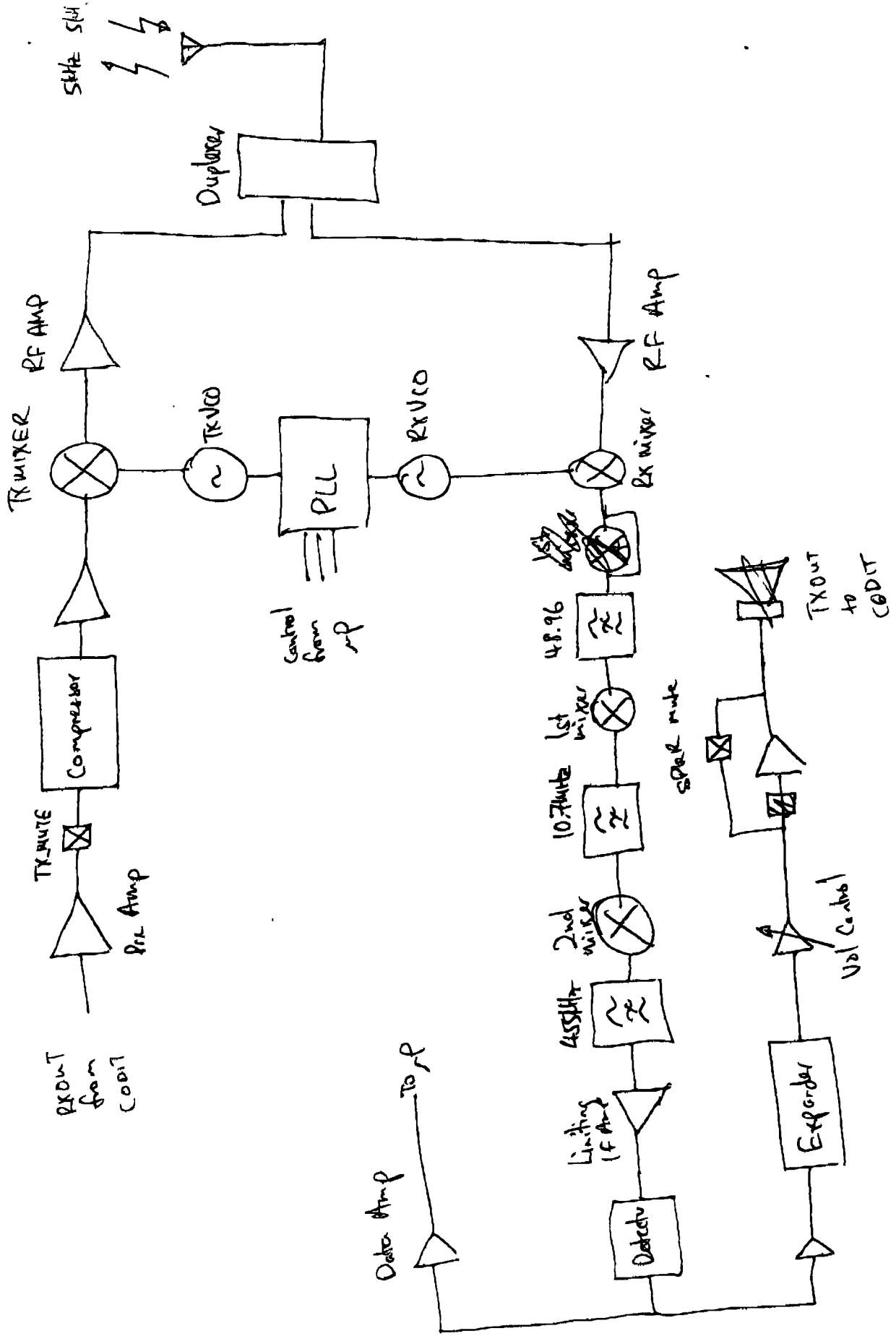
EXHIBIT C

(FCC Ref. 2.1033(b)(5))

"Block and Schematic Diagrams"



Discard Headset Receiver Block Diagram



Fixed Base RF Receiver Block Diagram