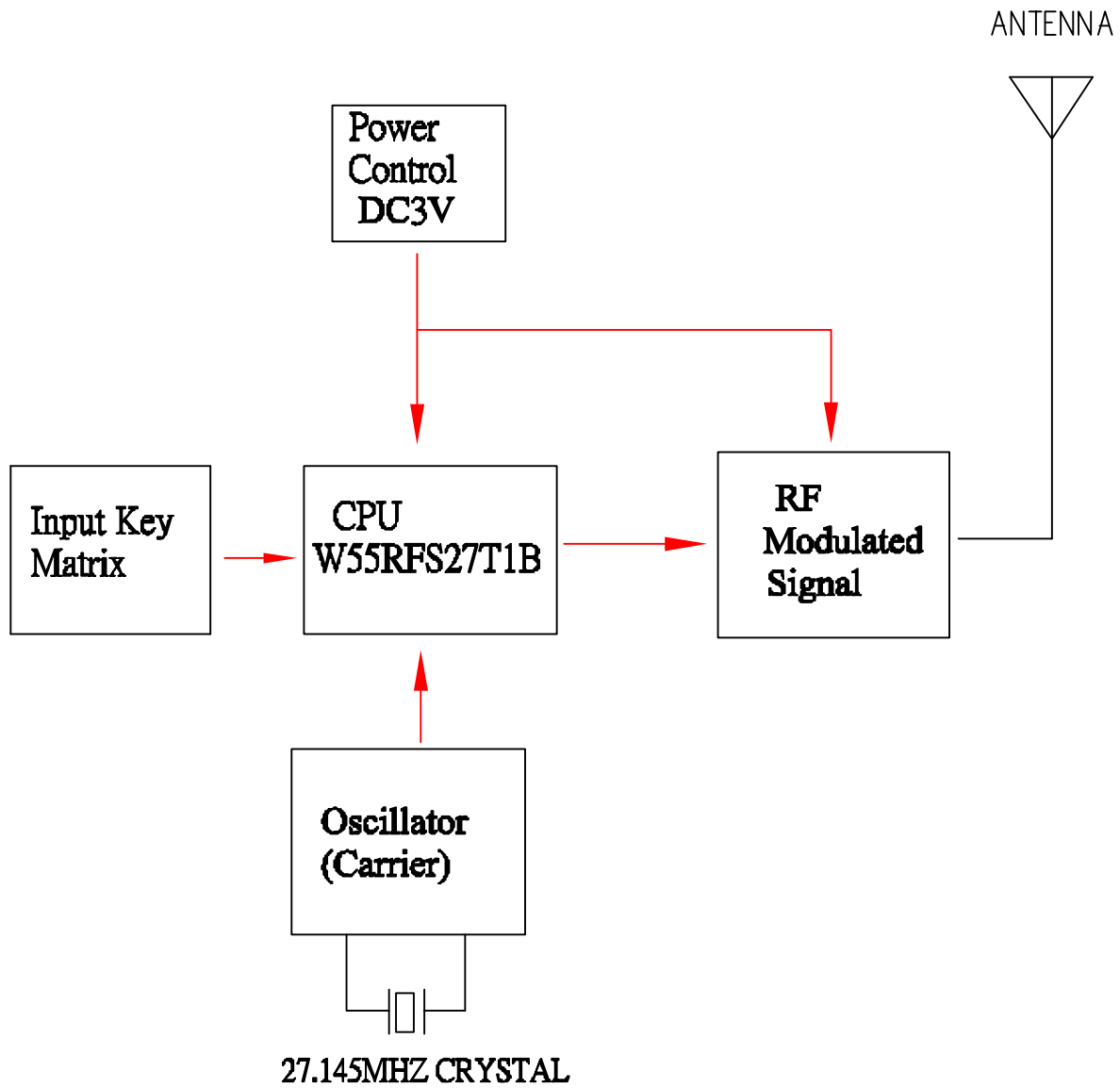




#7-11022 TX BLOCK DIAGRAM



DESIGNED: TL Jiong	DATE: 16-JUL-07	EARLY LIGHT INDUSTRIAL CO.LTD		
CHECKED: JB Wong	DATE: 16-JUL-07	MODE NO: 7-11022	PCB NO: 7-11022 Remote Tx	REV:V03
APPROVAED: KW Lo	DATE: 16-JUL-07	FILE NAME: TX BLOCK	PAGE: 1 OF 1	