

71-1699-250  
4/15



# 0-8-0 Locomotive LionChief Ready-To-Run Set Owner's Manual

Featuring:



and

RailSounds  
RC™

## CAUTION—ELECTRIC TOY

NOT RECOMMENDED FOR CHILDREN UNDER EIGHT YEARS OF AGE. AS WITH ALL ELECTRIC PRODUCTS, PRECAUTIONS SHOULD BE OBSERVED DURING HANDLING AND USE TO PREVENT ELECTRIC SHOCK.

**TRANSFORMER RATINGS**—INPUT: 100-120 VAC, 60 Hz.

OUTPUT: DC 18V, 1750 mA, 31.5 VA.

## ***Congratulations!***

**W**elcome to the world of Lionel trains! You're off to a great start with this ready-to-run LionChief train set. This set features everything you need to get started—a wall-pack power supply, a huge, easy-to-assemble FasTrack oval, a string of detailed cars, a powerful Lionel locomotive that is equipped with RailSounds RC sound system, and a LionChief remote that controls all the action.

Expand your railroad empire with additional FasTrack track sections, enhance your layout with accessories, lengthen your consist with extra cars, or operate a new LionChief locomotive at the head end of your train! Use this Owner's Manual to learn how to set up, operate, and maintain your train set for years of reliable operation.

### **Set Includes:**

- 0-8-0 Locomotive and tender
- Animated Gondola
- Boxcar
- Illuminated caboose
- Eight 0-36 curved FasTrack sections, three 10" straight FasTrack sections, one 10" FasTrack wall-pack terminal section
- Wall-pack power supply
- LionChief remote for locomotive
- Smoke fluid
- Traction tires
- Owner's manual

## ***ATTENTION!***

**Y**our new Lionel LionChief 0-8-0 Locomotive and Tender has unique wiring that makes it different from other LionChief products. We strongly discourage mixing the 0-8-0 Locomotive or Tender with ANY other LionChief Locomotive or Tender.

Running the 0-8-0 engine with a different style tender, or the 0-8-0 tender with a different style engine WILL result in damage to the unit's electronics and void the product warranty.

All O Gauge rolling stock is interchangeable between locomotives types.



**Scan this QR code for help setting up and operating your LionChief Steam set as well as a troubleshooting video.**

**Get the free mobile app at  
<http://gettag.mobi>**

# Table of contents

## Safety information

Operating your wall-pack power supply safely	4
--	---

## LionChief system basics

Model railroading with the LionChief system	5
Installing AAA batteries into the Remote Control	6
Operating your train with LionChief remote	7

## LionChief locomotive overview

Locomotive Overview	8
Building your Lionel layout	9
Joining the FasTrack track sections	9
Connecting your wall-pack power supply	10

## Operating your train set

Adding smoke fluid to your locomotive's smoke generator	11
Running your train set	12
Triggering announcements with your LionChief remote control	13
Coupling	14
Operating the Remote-Control Track section	14
Silencing the steam chuffing sounds	15

## Maintaining and servicing your set

Lubricating your locomotive	16
Replacing your locomotive's traction tire	17
Replacing your locomotive's headlamp	17
Animated Gondola basics	18
Lubricating the gear on your Animated Gondola	18
Replacing the caboose lamp	19

## LionChief Troubleshooting

Troubleshooting	20-22
Wall-Pack power supply	23
FCC and RSS Statements	24
Notes	25-27
Lionel Limited Warranty Policy & Service	28

*The following Lionel marks are used throughout this Owner's Manual and are protected under law. All rights reserved.*

*Lionel®*, *LionChief™*, *LionChief Plus™*, *LEGACY™*, *FasTrack®*, *TrainMaster®*, *Odyssey®*, *RailSounds®*, *CrewTalk™*, *TowerCom™*, *DynaChuff™*, *StationSounds™*, *Pullmor®*, *ElectroCoupler™*, *Magne-Traction®*, *CAB-1® Remote Controller*, *American Flyer®*, *Lionel ZW®*, *ZW®*, *MagniVision®*, *TMCC®*, *Lionelville®*, *Wireless Tether™*, *Powerhouse™*, *LionMaster®*, *Conventional Classics™*, *Postwar Celebration Series™*, *TruRail™*, *PH-1 Powerhouse®*, *Powermaster®*, *Powerstation-Powerhouse®*, *Accessory Motor Controller™*, *AMC™*, *Accessory Switch Controller™*, *ASC™*, *Action Recorder Controller™*, *ARC™*, *Track Power Controller 300™*, *TPC 300™*, *Track Power Controller 400™*, *TPC 400™*, *Block Power Controller™*, *BPC™*, *Operating Track Controller™*, *OTC™*, *FatBoy™*, *Lionel Lines®*, *Joshua Lionel Cowen Series™*, *Lockon®*, *TrainSounds™*, *MultiHorn™*, *MultiWhistle™*, *Choo-Choo™*, *SensorTrack™*, *Plug-n-Play™*

# ***Safety information***

## **Operating your wall-pack power supply safely**

---

**Y**our Lionel wall-pack power supply is listed by Underwriter's Laboratory Inc. and has been carefully designed to ensure peak performance. When using electrical products, basic safety precautions should be maintained.

Be sure to observe the following guidelines:

- Read the manual thoroughly before using this device.
- This device is not recommended for children under eight years of age.
- Parents should periodically inspect this product for potential hazards and, if necessary, have them repaired by a Factory Trained Authorized Lionel Service Station. In the event that such a condition exists, the transformer should not be used until it has been properly repaired.
- The wall-pack power supply is intended to be used indoors. Do not use this device if water is present. Serious or fatal injuries may result.
- Use the wall-pack power supply only for its intended purpose.
- The wall-pack power supply was designed to operate on 100-120 volt AC, 60-Hertz power. 31.5 VDC output. Do not connect this product to any other power supply.
- Do not operate the wall-pack power supply with a damaged cord, plug, or case.
- To avoid the risk of electrical shock, do not disassemble the unit. There are no user serviceable parts inside. If damaged, take this product to a Factory Trained Authorized Lionel Service Station. Visit [www.lionel.com](http://www.lionel.com) for a list of authorized Service Centers.
- Do not operate the wall-pack power supply on your layout unattended. Obstructed accessories or stalled trains may overheat, resulting in damage to your layout.
- Always unplug the wall-pack power supply from the power source when not in use.
- Never insert objects into the ventilation slots on this product. Damage to sensitive electronic components can result.

# ***LionChief system basics***

## **Model railroading with the LionChief system**

---

**Y**our ready-to-run LionChief train set comes with a DC wall-pack power supply, a LionChief remote control, a LionChief-equipped locomotive, rolling stock, and a FasTrack oval, complete with a wall-pack terminal section for “plug-and-play” set up.

Your locomotive runs on fixed voltage, which is optimal for the sound system, smoke system, and lamps. The locomotive listens to commands from its LionChief remote at a specific frequency to increase or decrease speed, change directions, or trigger sounds. That’s why the locomotive and remote must be operated as a matched pair.

The DC wall-pack power supply is capable of running the locomotive and cars that come with this set, plus a few add-on cars and accessories, depending on the power they require. Keep in mind that your locomotive can run on AC power, too, so you may choose to upgrade to most Lionel or Lionel-compatible AC transformers (available separately at your authorized Lionel retailer) when you expand your layout.

**Important!** Run only your layout with only the DC wall-pack power supply OR an AC transformer. Do not run both! Also, keep in mind that most other Lionel locomotives require AC power specifically; check the instructions included with the other locomotives.

If you do choose to run your LionChief locomotive with a transformer, set the train voltage to full (18 volts) and use the remote to run the train and trigger the sounds. The locomotive is not designed to respond to the transformer’s throttle, direction button, horn button, or bell button; the locomotive only responds to commands from its LionChief remote.

Keep in mind that the remote that comes with the train set is paired with the locomotive. This locomotive and remote share a frequency, and your LionChief remote will not communicate with other locomotives. However, locomotives of the same type, for example a 2-8-4 berkshire, may share a frequency. Where the frequency is shared, any locomotive of the same type on the track would respond together, at the same time, to commands from a remote. To avoid this scenario, you may choose not to run multiples of the same locomotive type at the same time.

Otherwise, you may run more than one LionChief-equipped locomotive on the track at the same time. You may also choose to run your LionChief locomotive on a LEGACY Control System-equipped layout; however, you must use your LionChief remote control to control the LionChief locomotive (LionChief locomotives do not receive commands from the LEGACY remote).

# The LionChief remote control overview

## Installing AAA batteries into the Remote Control

---

**F**or safety purposes, you must use a Phillips screwdriver to access the battery compartment. Use a Phillips screwdriver to remove the screw that secures the battery compartment hatch and lift the hatch to access battery compartment (as shown in Figure 1). Insert three AAA batteries orientating the +/- as shown in the bottom of the battery compartment. Replace the battery door and snap closed.

**Important!** Use only Alkaline AAA batteries. Use only new batteries. Never mix new and used batteries or use different types together.

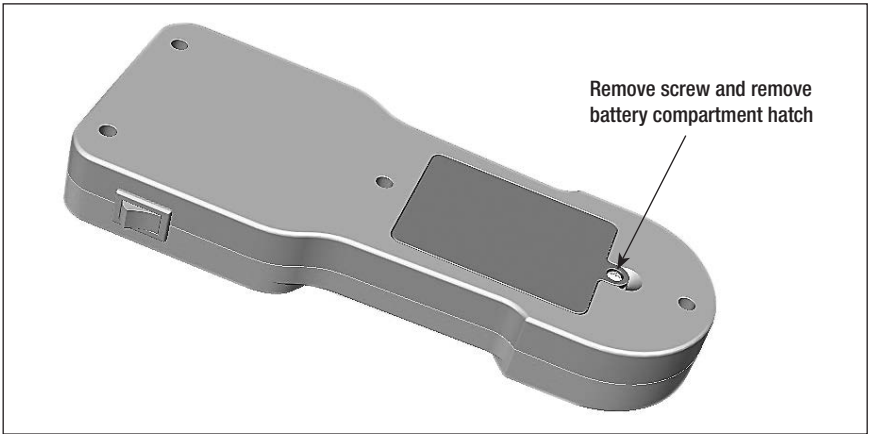


Figure 1. Opening and closing the battery compartment

**Important!** REMOVE ALL BATTERIES WHEN THE TRAIN WILL NOT BE USED FOR AN EXTENDED PERIOD OF TIME. LIONEL'S LIMITED WARRANTY DOES NOT COVER DAMAGE TO YOUR REMOTE CAUSED FROM LEAKING BATTERIES.

**Important!** When you are not operating the train, flip the On/Off switch to the Off position to conserve the batteries.

# ***The LionChief remote control overview***

## **Operating your train with your LionChief remote**

---

### ***THROTTLE***

Turn the throttle knob clockwise to go forward and adjust the speed. Turn the throttle knob counter-clockwise to go reverse and adjust the speed. To stop the train, simply return the throttle knob to the center position.

### ***SPEED INDICATOR LIGHT***

The red light will remain on during normal operation. The light will begin to flash when the locomotive is in motion, and the flashing will vary with the locomotive's speed.

### ***BELL***

The BELL button will activate the bell sounds on locomotives equipped with this feature. Press the BELL button to begin the sounds; press the button again to turn off the ringing.

### ***ON/OFF SWITCH***

To conserve your batteries, flip the On/Off switch to the Off position when you are done operating your train.

### ***WHISTLE***

The WHISTLE button will activate your locomotive's whistle.

### ***ANNOUNCEMENTS***

Press the center button for a variety of announcements that may vary depending on the train set. See page 13 for more information.



# ***The LionChief locomotive overview***

## **Locomotive Overview**

---

**Y**our LionChief locomotive is designed to operate with commands from its corresponding LionChief remote. You may choose to power it with the wall-pack power supply included with this ready-to-run train set, or you may choose to expand and upgrade to essentially any Lionel or Lionel-compatible AC transformer. Even DC transformers will work to power this particular locomotive!

### **Smoke**

Your locomotive features an operating smoke unit that produces safe, clean, white smoke. Always keep a small amount of smoke fluid in the smoke unit when you are running your locomotive with the smoke unit in the On position. Slide the smoke unit switch to the Off position if you do not want to operate the locomotive with smoke or you choose not to add smoke fluid. For more information, please see page 11.

Additional Lionel Premium Smoke Fluid (6-37841) is available separately when you deplete the sample. Only Lionel Premium Smoke Fluid is approved for use with this product.

### **LionChief RC sound system**

Your locomotive features a wide range of sounds to make operation even more realistic and impressive! The steam chuffing sounds are coordinated with the blasts of smoke from the smokestack, and they increase with the speed of the locomotive. You may choose to turn the chuffing sounds off by sliding the sound switch to the off position. See page 15.

Use the whistle, bell, and announcement buttons on the LionChief remote control to trigger those sounds. See page 7 for more information.

Keep in mind that the speaker is housed in the tender. Ensure that the drawbar is connected properly for good electrical contact.

### **Care and maintenance**

A few simple precautions will help to ensure a long life for the locomotive:

- Lubricate the wheels, axles, and linkage regularly to avoid squeaks and wear. See page 16 for complete details.
- Avoid squeezing and bending the side rods and linkage when handling and packing the locomotive to prevent binding.



# Getting ready to run your trains

## Building your Lionel layout

---

**Y**our set comes with eight curved sections, three 10" straight sections, and one wall-pack terminal section of track. Figure 2 shows the oval layout that you can build with these track sections. You may choose to add more FasTrack track sections to create an endless number of exciting track arrangements for more fun, action, and variety.

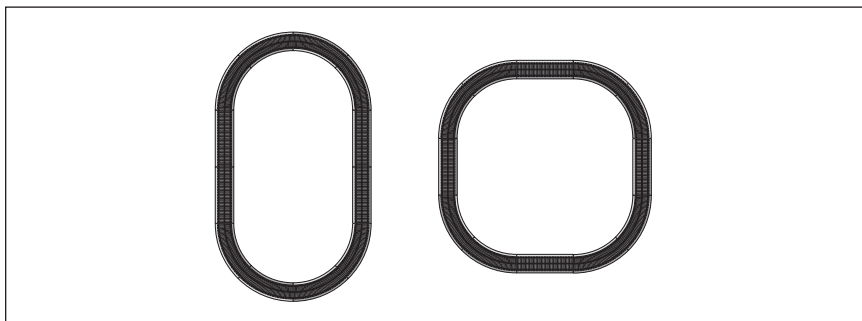


Figure 2. Track layout

## Joining the FasTrack track sections

---

**F**asTrack track sections join together easily. With interlocking roadbed sections and large rail tabs, the track fits together securely so you always have good electrical contact. Take a look at Figure 3 to see how to join the track sections.

1. **Line up your two sections of track.**
2. **Insert the rail tabs into the openings at the ends of the corresponding rails.**
3. **Press the sections together until the interlocking roadbed snaps into place.**

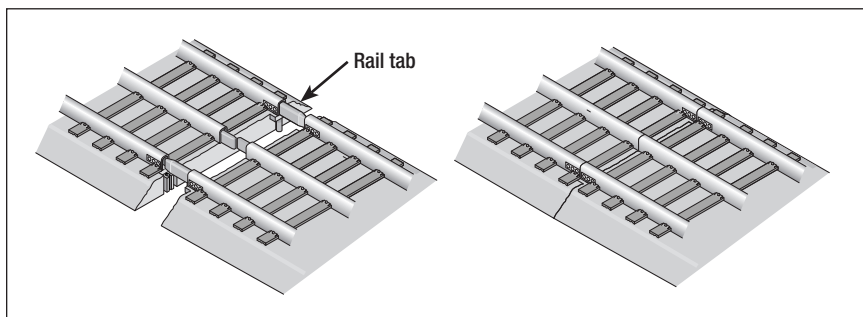


Figure 3. Joining the track sections

# Getting ready to run your trains

## Connecting your wall-pack power supply

---

**Y**our trains are powered by a DC wall-pack power supply. To power the track, simply plug the wall-pack into an outlet and plug the jack into the terminal section as shown in Figure 4.

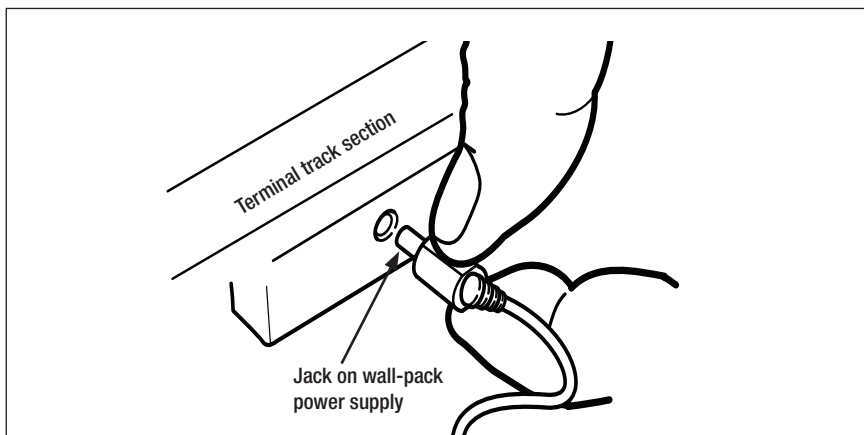


Figure 4. Wall-pack power supply connection

# ***Operating your train set***

## **Adding smoke fluid to your locomotive's smoke generator**

---

**Y**our locomotive is equipped with a smoke generator that produces safe, clean white smoke during operation if the smoke unit switch is in the ON position. Refer to Figure 7 on page 15 for the location of the switch.

The smoke generator requires the periodic addition of Lionel smoke fluid in order to function. A small bottle of smoke fluid is included with this set. Press down and unscrew the cap. Pierce the end of the nozzle with a pin, then add about four drops of fluid directly into the locomotive's stack. Smoke production commences momentarily. It will start faster if you run your locomotive at higher speeds. When smoke production decreases, add more fluid (about four drops). An idle locomotive will not smoke.

**Note!** If you prefer to operate the locomotive without smoke or you do not want to add smoke fluid, slide the smoke unit switch to the OFF position.

**Caution!** When the smoke unit switch is in the ON position, always keep a small amount of smoke fluid in the locomotive's smoke generator; the generator's element can become damaged if operated without smoke fluid. This is particularly true if your locomotive sits in neutral for an extended period of time without smoke fluid in the generator.

**Note!** Only the use of Lionel Premium Smoke Fluid (6-37841) is approved for warranty coverage of Lionel products.

# Operating your train set

## Running your train set

---

**1**

***With track power unplugged, place your train set on the track.***

Refer to the following section for information on coupling the cars.

**2**

***Couple the locomotive to the tender that was included with this set***

Fit the tab on the locomotive drawbar into the slot on the tender's drawbar as illustrated in Figure 5. Note that the drawbar connection connects the locomotive and tender electronically. Make the connection securely to ensure good electrical contact.

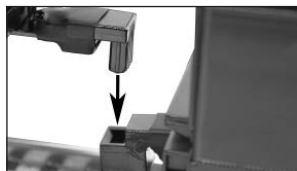


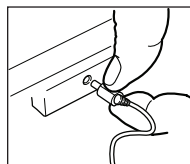
Figure 5. Drawbar connection

**Caution!**

To prevent damage to the electronics, only couple the locomotive to the tender that was included with this set. Do **NOT** mix and match LionChief locomotives and tenders.

**3**

***Plug in your wall-pack power supply, connect it to the track, and switch on the remote.***



**4**

***Move 'em out!***

Use your remote to run your train. You can adjust the speed in forward or reverse, blow the whistle, sound the bell, or trigger an announcement. Refer to page 14 for complete details.



**5**

***Unplug the wall-pack power supply when you are done running your trains.***

Switch off your remote control to conserve the batteries.

# ***Operating your train set***

## **Triggering announcements with your LionChief remote control**

---

**Y**our locomotive plays a variety of announcements that are designed to match the way you play with the locomotive. You can trigger an announcement that corresponds to each part of the journey.

### **When the locomotive is...    The announcement states...**

Stationary:

Press Announcement (sitting less than 30 seconds):    Stationary announcement 1

Press Announcement (sitting more than 30 seconds):    Stationary announcement 2

Moving:

Press Announcement (moving less than 30 seconds):    Moving announcement 1

Press Announcement (moving less than 30 seconds):    Moving announcement 2

Press Announcement (moving more than 30 seconds):    Moving announcement 3

# Operating your train set

## Coupling

---

**W**hen coupling your cars, at least one of the mating couplers must be open as shown at the left in Figure 6. Press down on the lock release to open the coupler, then push the cars toward each other until they lock together.

**Note!** Keep in mind that it's easier to couple cars on a straight section of track.

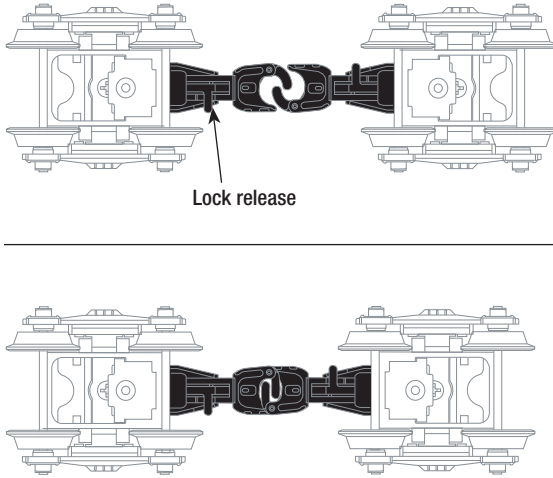


Figure 6. Coupler operation

## Operating the Remote-Control Track section

---

**T**o uncouple or activate your rolling stock, position the trigger disc over the magnet in the center of the track. Press UNCOUPLE on the controller, and the magnet will pull the trigger disc downward, releasing the coupler or activating the car. Refer to Figure 7.

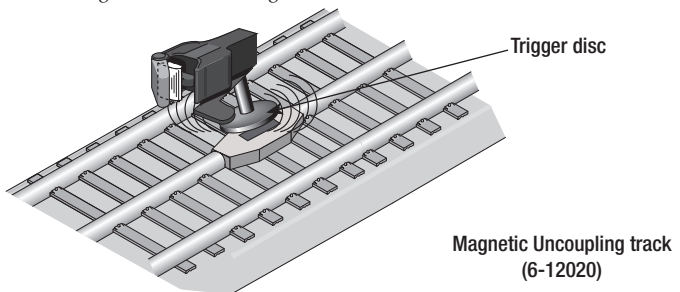


Figure 7. Uncoupling your rolling stock

# Operating your train set

## Silencing the steam chuffing sounds

---

To silence the background steam sounds, slide the CHUFF switch to the OFF position under the frame. See Figure 8. Turn off track power for about two seconds, and then the background sound will be silenced when the track power is restored. The whistle, announcement, and bell sounds can still be triggered at any time using the remote. To restore the background sounds, simply slide the CHUFF switch to the ON position and then turn off track power for two or more seconds.

**Note!** Always turn off track power for about two seconds after you slide the switch. The background sounds will be reset according to the new switch position when the track power is switched on again.

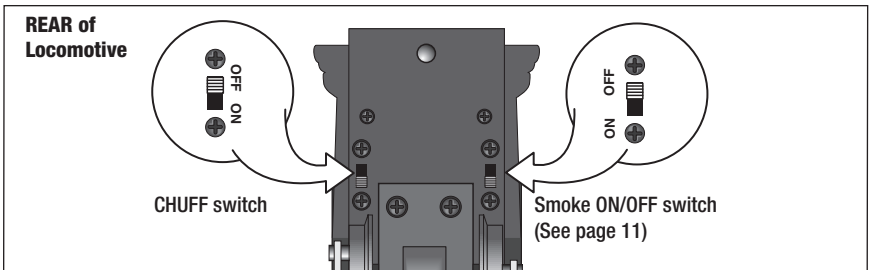


Figure 8. Switch locations

# Maintaining and servicing your set

## Lubricating your locomotive

**H**elp your steam locomotive lead a long and productive life on your railroad by maintaining it properly.

We recommend that you purchase a Lionel Lubrication and Maintenance Kit (6-62927), available from your Lionel dealer. Two basic rules to keep in mind: never over-lubricate (a small amount will do) and avoid getting grease or oil on the locomotive's wheels, contact rollers, or your track.

You'll know your locomotive requires lubrication when visual inspection reveals dryness on the parts indicated in Figure 9 and also on the tender's axles. Remove accumulated dirt and dust before lubricating, and always lubricate any locomotive emerging from prolonged storage.

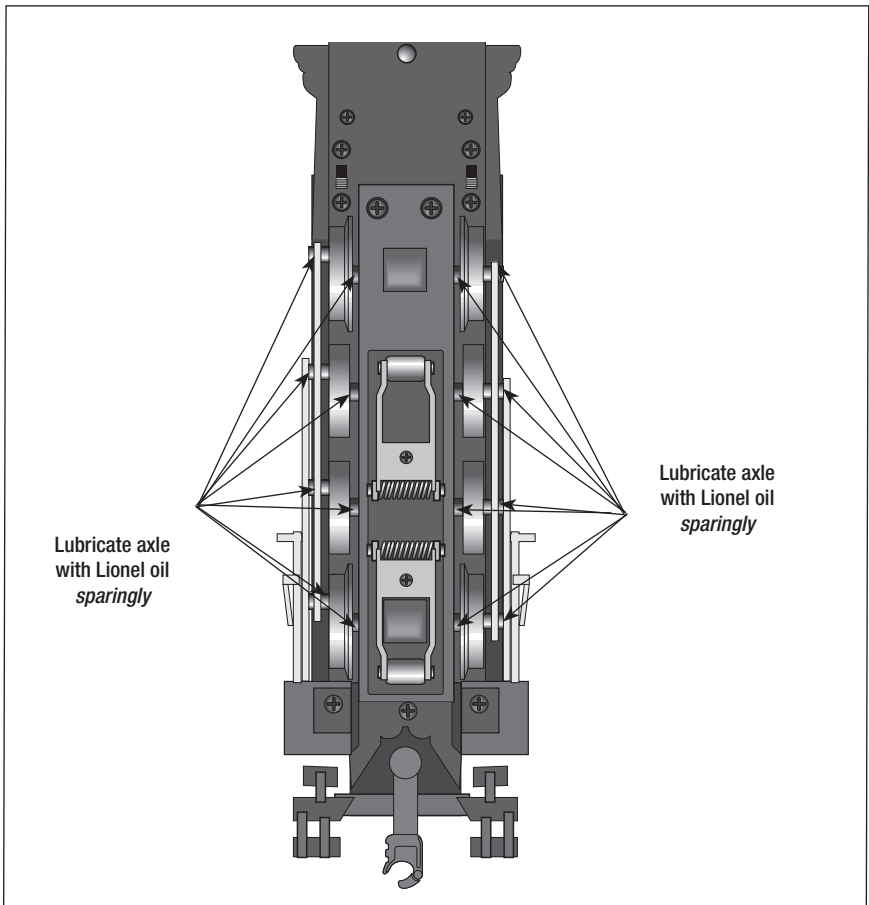


Figure 9. Lubricating points



# Maintaining and servicing your set

## Replacing your locomotive's traction tire

---

One of the locomotive's drive wheels is fitted with a rubber traction tire to enhance tractive effort, allowing your locomotive to pull many cars at once.

To replace the traction tire, simply unscrew the drive rod nut from the wheel using a 3/16" nut driver. Refer to Figure 10. Remove the old traction tire from under the drive rod and slip on the replacement, Lionel part no. 6000222108. Replace the spacer, retighten the drive rod nut, and you're ready to pull that long freight back to the yard.

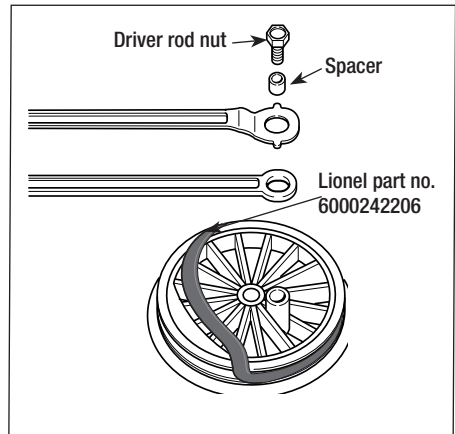


Figure 10. Traction tire replacement

## Replacing your locomotive's headlamp

---

Your locomotive is equipped with an LED style headlight for longer life. Please contact your nearest Lionel Service Center or Lionel Service if this need replacing.

# Maintaining and servicing your set

## Animated Gondola basics

---

**Y**our set includes an animated gondola. When the gondola is coupled to your train, the figures will chase each other as the train moves. This gondola is equipped with a gear drive mechanism which propels the two figures around the pile of freight in the center of the gondola whenever the car is moving.

**Note!** If the crate load retainers become detached, make sure that they are pushed back down completely.

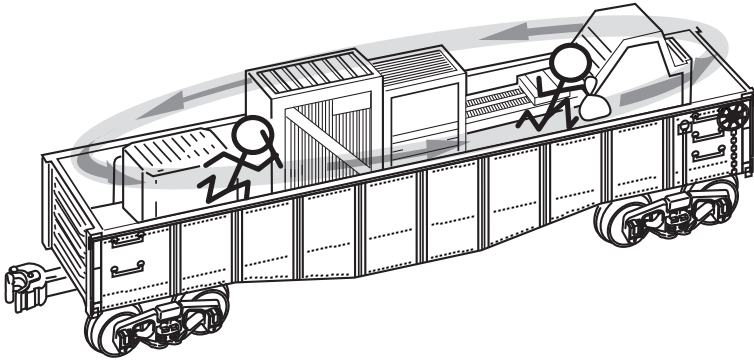


Figure 11. Figure movement

## Lubricating the Gear on your Animated Gondola

---

**O**ccasionally the worm gear may need lubrication. You can determine this by simply inspecting it periodically. If you see little or no lubrication on the worm gear it's time to add some lubricant, but apply it sparingly!

*The worm gear should be lubricated periodically. The Lionel multi-purpose lubricant no. 606-2927-000 is recommended. It is available from your nearest Authorized Lionel Dealer.*

Lubricate the worm gear  
*sparingly*

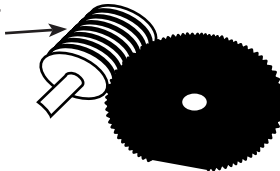


Figure 12. Gear lubrication

# Maintaining and servicing your set

## Replacing your Square Window Caboose's lamp

To replace the lamp inside the caboose, first pull out the two end frames tabs from the slot formed by the caboose body and roof. The end frame is hinged to the platform making it flexible. This allows the end frame to bend downward away from the body. Next, lift off the roof from the window shell and body. The window shell is held in place by four tabs on the sides of the shell (two on either side) that lock into the windows on the caboose. To remove the window shell, carefully separate the sides of the caboose while pulling up on the window shell until the tabs are released from the window. Pull the window shell out. To remove the lamp, pull it straight up and replace it with bulb No. 620-5100-300 available at your authorized Lionel Service Center or Lionel Service.

Insert the window shell back into the body making sure that the tabs snap into the windows. Insert the roof into the window shell and fit the tabs on the end frames into the corresponding slots formed by the roof and body.

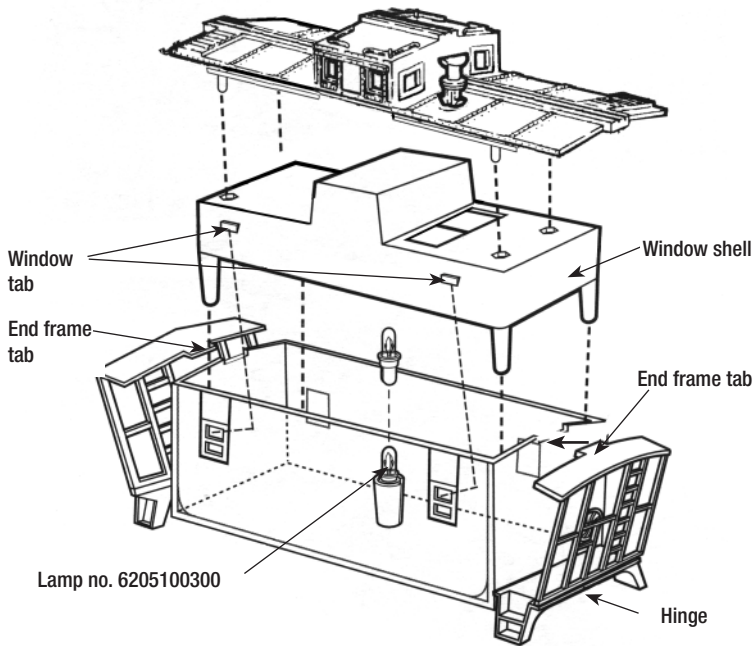


Figure 13. Square window caboose lamp replacement

# ***LionChief Troubleshooting***

**Problem: The power indicator LED on the terminal track is not illuminated.**

**Resolution:**

If any of the wheels of the train are not properly positioned on the rails, a short circuit will occur and the circuit breaker inside the transformer will prevent power from being applied to the track until that short circuit is removed.

Remove the locomotive and all cars from the track. With no trains on the track check to see if the LED is illuminated. If it is not illuminated, disconnect the track one piece at a time until the LED comes on. If the problem is a section of track, the LED will illuminate when that section of track is removed from the layout.

Now disconnect the barrel jack from the terminal section and place only one car on the track once the car is on the track reconnect the barrel jack into the terminal section. The LED should be illuminated, if it does illuminate, disconnect it again and place another car on the track. Repeat this process until the entire train, including the locomotive, is on the track.

**Problem: One or more of the illuminated cars will not light.**

**Resolution:**

The lamps in your trains are designed for easy replacement in the event they burn out over time. It is possible that a lamp can become disconnected in transit; as such we suggest you first check the lamp in its socket to ensure it is seated properly.

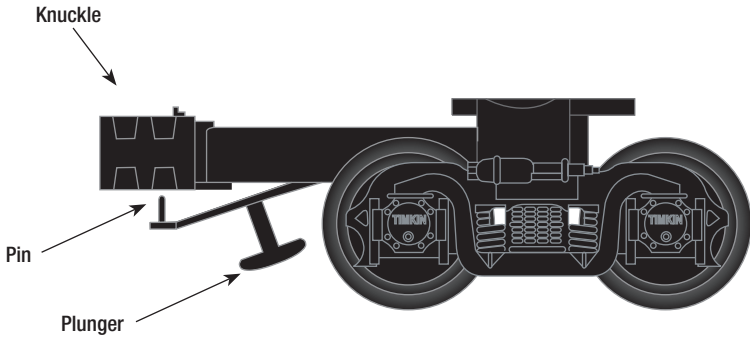
The lamps inside the cars and locomotive get their power from the rails. There are two wires connected to the trucks on each illuminated car. One wire connects to the center rail collector (roller), and one wire attaches to a contact for the axles that ride on the outside rails. Because the trucks are able to pivot back and forth, it is possible that one or both of these wires may become disconnected from these contacts and short out when they touch one another. The wires can be reconnected by having an adult solder them to their contacts. You may want to take the item to a local Factory Trained Authorized Lionel Service Station for this repair.

**Problem: The train cars will not stay coupled to one another.**

**Resolution:**

The couplers on each car come equipped with an uncoupling plunger, which allows you to uncouple the cars using an Uncoupling Section. These plungers have a pin which holds the knuckle closed, sometimes the plunger will need to be bent upwards slightly to ensure the pin holds the knuckle shut. Use a pair of needle-nosed pliers to bend the plunger upwards slightly. This operation is shown in the illustration below.

## ***LionChief Troubleshooting (continued)***



**Problem: I do not hear any sounds from the locomotive.**

**Resolution:**

The drawbar, which connects your locomotive to its tender, serves two purposes. It connects the locomotive and tender together and it serves as a four-conductor tether responsible for transferring the speaker leads from the electronics inside the locomotive to the speaker inside the tender. Ensure the male side of the drawbar (locomotive side) is fully and properly inserted into the female side of the drawbar (tender side) and that the top of each side of the drawbar are even with one another.

Make sure the sound on/off switch is positioned to the “on” setting and power is being applied to the track. If the switch is set to the “off” position, only the horn/whistle and bell will be heard when the commands are sent to the locomotive from the remote.

**Problem: The locomotive does not smoke.**

**Resolution:**

Ensure the smoke on/off switch is in the “on” position. The locomotive must be moving for smoke to be seen ejecting from the stack. The locomotive will not smoke when sitting at idle. Ensure you have added 4-5 drops of Lionel Liquid Smoke Fluid. It should only take 5-10 seconds for smoke to vaporize and begin being ejected from the stack once the train begins to move. If you do not plan to use the smoke feature on this locomotive be sure the smoke on/off switch is placed in the “off” position, so no damage occurs to the smoke generator.

## ***LionChief Troubleshooting (continued)***

**Problem: The LionChief Remote will not control the locomotive.**

**Resolution:**

First, ensure the remote you are using to control the locomotive is the proper one, mated to that locomotive. Reference the road name and road number printed on the remote with the road name and road number of the locomotive you are trying to control. Second, ensure you have installed three new Alkaline AAA batteries into the remote and the on/off switch is set to the “on” position.

The red LED at the top of the remote should be on steady when the speed dial is in the top dead center position.

The LED will begin to blink when the throttle knob is turned in either direction, slowly to quickly, mimicking the speed you set for the locomotive. The sounds in the locomotive should be on when you attempting to make the train go. If your locomotive will not move, you will need to take both the wireless LionChief remote and the locomotive and tender to a local Factory Trained Authorized Lionel Service Station or contact Lionel Customer Service for further assistance.

# ***Maintaining and servicing your set***

## **Wall-pack power supply**

---

### **CAUTION-ELECTRIC TOY**

Not recommended for children under 3 years of age. As with all electric products, precautions should be observed during handling and use to prevent electric shock.

**MODEL: HKY36-180175T-US**

**INPUT: 100-120VAC, 60Hz 0.5A**

**OUTPUT: 18VDC, 1750mA 31.5VA**

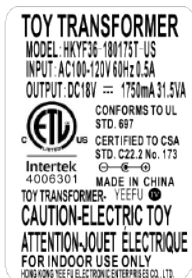
Keep these instructions for further reference. They contain important information.

#### **OPERATION:**

1. Plug the transformer into standard wall outlet
2. Connect the transformer to the appliance
3. Turn off the appliance and unplug the transformer from the wall outlet when not in use.

#### **SPECIAL NOTE TO ADULTS:**

- This transformer is age-graded for ages 3 and over, the transformer should not be operated in the presence of children under 3 without adult supervision. Adult supervision is recommended.
- It is recommended that the toy transformer be periodically examined for conditions that may result in the risk of fire, electric shock, or injury to persons (such as damage to the output cord, blades, housing or other parts) and that, in an event of such conditions, the transformer should not be used until properly repaired.



# ***LionChief Troubleshooting***

## **FCC and RSS Statements**

---

Warning: Changes or modifications to this unit not expressly approved by the party responsible for compliance could void the user authority to operate the equipment.

.....

Notes: This equipment has been tested and found to comply with the limits for a Class B digital device, pursuant to Part 15 of the FCC Rules. These limits are designed to provide reasonable protection against harmful interference in a residential installation. This equipment generates, uses and can radiate radio frequency energy and, if not installed and used in accordance with the instructions, may cause harmful interference to radio communications.

However, there is no guarantee that interference will not occur in a particular installation. If this equipment does cause harmful interference to radio or television reception, which can be determined by turning the equipment off and on, the user is encouraged to try to correct the interference by one or more of the following measures:

- Reorient or relocate the receiving antenna.
- Increase the separation between the equipment and receiver.
- Connect the equipment into an outlet on a circuit different from that to which the receiver is connected.
- Consult the dealer or an experienced radio/TV technician for help.

**This device complies with part 15 of the FCC Rules. Operation is subject to the following two conditions: (1) this device may not cause interference, and (2) this device must accept any interference, including interference that may cause undesired operation.**

**This device complies with Industry Canada license-exempt RSS standard(s). Operation is subject to the following two conditions: (1) this device may not cause interference, and (2) this device must accept any interference, including interference that may cause undesired operation of the device.**

**Parents! The adaptor should be periodically examined for the conditions that may result in the risk of fire, electric shock, or injury to persons and that, in an event such conditions , the adaptor should not be used until properly repaired.**









## Lionel Limited Warranty Policy & Service

---

This Lionel product, including all mechanical and electrical components, moving parts, motors and structural components, with the exception of **Lamps, LED's, Traction Tires and smoke unit batting** are warranted to the original owner/purchaser for a period of **ONE YEAR from date of Purchase** against defects in materials or workmanship.

This warranty does **NOT** cover the following:

- Normal wear and tear
- Defects appearing in the course of commercial use
- Damage resulting from abuse / misuse of the products

Modification to this product in any way; visually, mechanically or electrically and / or evidence of any attempt of consumer repair voids the warranty in its entirety.

Any warranted item from a Ready-To-Run O gauge set which is found to be defective in original materials or workmanship and is delivered by the **original owner/purchaser** to Lionel LLC or a Factory Trained Authorized Service Station **MUST** be accompanied by the original receipt or gift receipt from the **original place of purchase**. The product will be repaired or replaced **without charge** for parts or labor. In the event the defective item cannot be repaired and a suitable replacement is not available, Lionel will offer to replace the product with a comparable model (**at the discretion of Lionel LLC**), if available.

### In no event shall Lionel LLC be held responsible for incidental or consequential damages.

---

**S**ome states do not allow the exclusion or limitation of incidental or consequential damages, so the above exclusion may not apply to you. This warranty gives you specific legal right and you may have other rights which vary from state to state.

### Instructions for Obtaining Service

---

**T**o obtain service please contact Lionel Customer Services at 586-949-4100 option 2 Monday through Friday 9am to 5pm EDT. You can also contact us online at: TalkToUs@Lionel.com Having the product accessible during the call will help expedite the service process. Our Customer Service Representatives are required to walk you through some simple troubleshooting steps to help identify / resolve the problem with your specific product. In the event a product, sent in for repair, is found to be in proper working order a handling fee of \$50.00 will be charged to the customer.

If it is deemed your product must be sent to Lionel LLC for repair you will be assigned a Return Authorization Number to identify and track your repair. Please, under no circumstances, send a product to Lionel LLC without a Return Authorization Number. Items received without a Return Authorization Number will be refused for delivery. The Return Authorization Number must be clearly printed on the outer shipping carton.

### Warranty Information

---

**P**lease complete the information below and keep it, along with a copy of the original DATED sales receipt. The sales receipt must be presented when requesting warranty service.

Name \_\_\_\_\_

Address \_\_\_\_\_

City, State, Zip \_\_\_\_\_

Daytime Phone Number (\_\_\_\_\_) \_\_\_\_\_

Email address \_\_\_\_\_

Product Number (example: 6-30208) \_\_\_\_\_

Product Name (Name on the Set Box) \_\_\_\_\_

Place of Purchase \_\_\_\_\_

Date of Purchase \_\_\_\_\_

### Lionel Customer Services

6000 Victory Lane  
Concord, NC 28027.



© 2015 LIONEL L.L.C., CONCORD, NC 28027  
UNITED STATES OF AMERICA  
PRINTED IN CHINA

71-1699-250FR  
4/15



**0-8-0 Locomotive  
LionChief  
Ensemble de train  
prêt à faire fonctionner  
Guide d'utilisation**

Mettant en vedette :



et

**RailSounds  
RC™**

**ATTENTION — JOUET ÉLECTRIQUE**

NON RECOMMANDÉ POUR LES ENFANTS DE MOINS DE HUIT ANS. COMME TOUTS LES PRODUITS ÉLECTRIQUES, DES PRÉCAUTIONS DOIVENT ÊTRE OBSERVÉES LORS DE LA MANIPULATION ET DE L'UTILISATION POUR ÉVITER UNE ÉLECTROCUTION.

VALEURS NOMINALES DU TRANSFORMATEUR — ENTRÉE : 100-120 VAC, 60 HZ.

SORTIE : 18 V CDC, 1750 MA, 31,5 VA.

## **Félicitations!**

**B**ienvenue dans le monde des trains Lionel! Vous prenez un bon départ avec cet ensemble de train prêt-à-l'emploi de LionChief. Cet ensemble comprend tout ce dont vous avez besoin pour une installation de base — un dispositif d'alimentation, une voie ferrée FasTrack facile à monter formant une énorme boucle, une chaîne de wagons détaillés, une puissante locomotive Lionel qui est équipée d'un système de son RailSounds RC, et une télécommande LionChief qui transmet des commandes à distance pour passer à l'action.

Agrandissez votre empire en ajoutant des sections de voie ferrée FasTrack supplémentaires, embellissez votre aménagement avec des accessoires, ajoutez des wagons supplémentaires à votre train ou faites fonctionner une nouvelle locomotive à la tête de votre train! Ce manuel d'utilisation explique comment installer, faire fonctionner et entretenir votre ensemble de train pour qu'il fonctionne de manière fiable pendant des années.

### **L'ensemble comprend :**

- Locomotive 0-8-0 et ravitailleur
- Wagon à bagages
- Wagon-tombereau animé d'une poursuite
- Wagon de queue éclairé
- Huit sections de voies ferrées courbées Fastrack 0-36, trois sections de voies ferrées droites FasTrack de 10 po, une section secteur de voie ferrée FasTrack de 10 po
- Dispositif d'alimentation
- Télécommande LionChief pour locomotive
- Liquide à fumée
- Pneus de traction
- Guide d'utilisation

## **ATTENTION!**

**V**otre nouvelle locomotive 0-8-0 et ravitailleur Lionel LionChief comprend un câblage unique qui le rend différent des autres produits LionChief. Nous déconseillons fortement d'assembler la locomotive 0-8-0 ou le ravitailleur avec n'importe quel AUTRE locomotive ou ravitailleur LionChief.

Le fonctionnement de la locomotive 0-8-0 avec un style différent de ravitailleur, un ravitailleur destiné pour une locomotive 0-8-0 avec un style différent de locomotive, endommagera les composants électroniques et annulera la garantie du produit.

Tout matériel roulant à 0 gabarit est interchangeable entre les types de locomotives.



**Numérisez ce code QR (Quick Response) pour aider à installer et faire fonctionner votre ensemble LionChief Steam en tant que vidéo de dépannage**

# Table des matières

## Consignes de sécurité

Faire fonctionner le dispositif d'alimentation en toute sécurité 4

## Éléments de base du système LionChief

Modélisme ferroviaire avec le système LionChief 5

Installation des piles AAA dans la télécommande 6

Faire fonctionner le train avec la télécommande LionChief 7

## Aperçu de la locomotive LionChief

Aperçu de la locomotive 8

Construire l'aménagement Lionel 9

Assembler les sections de voie ferrée Fastrack 9

Câbler le dispositif d'alimentation 10

## Comment faire fonctionner le train

Ajouter du liquide à fumée au générateur de fumée de la locomotive 11

Premiers pas pour faire fonctionner le train 12

Déclencher les annonces avec la télécommande LionChief 13

Attelage 14

Réduire au silence le bruitage de locomotive à vapeur 15

## Entretien et réparation du train

Lubrifier la locomotive 16

Remplacer la traction de pneu de la locomotive 17

Remplacer le phare de la locomotive 17

Éléments de base du wagon-tombereau animé 18

Lubrifier l'engrenage de votre wagon-tombereau animé 18

Remplacer la lampe du wagon de queue 19

## Dépannage LionChief

Dépannage 20-22

## Agrandir l'aménagement ferroviaire

Déclarations de la FCC et CNR 23

Service et politique de la garantie limitée Lionel 24

*Les marques Lionel suivantes sont utilisées dans ce catalogue et protégées par la loi. Tous droits réservés.*

*Lionel® , LionChief™ , LionChief Plus™ , LEGACY™ , FasTrack® , TrainMaster® , Odyssey® , RailSounds® , CrewTalk™ , TowerCom™ , DynaChuff™ , StationSounds™ , Pullmor® , ElectroCoupler™ , Magne-Traction® , CAB-1® Remote Controller, American Flyer® , Lionel ZW® , ZW® , MagniVision® , TMCC® , Lionelville® , Wireless Tether™ , Powerhouse™ , LionMaster® , Conventional Classics™ , Postwar Celebration Series™ , TruRail™ , PH-1 Powerhouse® , Powermaster® , Powerstation-Powerhouse® , Accessory Motor Controller™ , AMC™ , Accessory Switch Controller™ , ASC™ , Action Recorder Controller™ , ARC™ , Track Power Controller 300™ , TPC 300™ , Track Power Controller 400™ , TPC 400™ , Block Power Controller™ , BPC™ , Operating Track Controller™ , OTC™ , FatBoy™ , Lionel Lines® , Joshua Lionel Cowen Series™ , Lockon® , TrainSounds™ , MultiHorn™ , MultiWhistle™ , Choo-Choo™ , SensorTrack™ , Plug-n-Play™*

# Consignes de sécurité

## Faire fonctionner le dispositif d'alimentation en toute sécurité

---

**V**otre dispositif d'alimentation Lionel est homologué par Underwriters Laboratory Inc. et a été soigneusement conçu pour garantir des performances optimales. En utilisant des produits électriques, des précautions de sécurité de base doivent être maintenues.

Assurez-vous de respecter les recommandations suivantes :

- Lisez le guide d'utilisation attentivement avant d'utiliser ce dispositif.
- Ce dispositif n'est pas recommandé pour les enfants de moins de huit ans.
- Les parents doivent inspecter périodiquement ce produit pour les dangers potentiels et, le cas échéant, les faire réparer par un technicien autorisé et formé pour la réparation des modèles ferroviaires Lionel. Dans le cas où une telle condition existe, le transformateur ne doit pas être utilisé jusqu'à ce qu'il ait été réparé.
- Le dispositif d'alimentation est destiné à être utilisé à l'intérieur. N'utilisez pas ce dispositif si l'eau est présente. Des blessures graves ou mortelles peuvent en résulter.
- Utilisez le dispositif d'alimentation uniquement pour son usage prévu.
- Le dispositif d'alimentation a été conçu pour fonctionner sur 100-120 volts CA, puissance de 60 Hertz, sortie 31,5 V CC. Ne branchez pas ce produit à une autre source d'alimentation.
- N'utilisez pas le dispositif d'alimentation avec un cordon, une fiche ou un boîtier endommagé.
- Pour éviter tout risque d'électrocution, ne démontez pas le dispositif d'alimentation. Il n'y a aucune pièce réparable par l'utilisateur. S'il est endommagé, demandez à un technicien autorisé et formé par Lionel de réparer le dispositif d'alimentation. Visitez [www.lionel.com](http://www.lionel.com) pour obtenir une liste des centres de service autorisés.
- N'utilisez pas le dispositif d'alimentation sur votre aménagement sans surveillance. Le train buté ou bloqué peut surchauffer, causant des dommages à votre ensemble ferroviaire.
- Débranchez toujours le dispositif d'alimentation de la source électrique lorsqu'il n'est pas utilisé.
- N'insérez jamais d'objets dans les fentes de ventilation de ce produit. Des dommages aux composants électroniques sensibles peuvent en résulter.



# Éléments de base du système LionChief

## Modélisme ferroviaire avec le système LionChief

---

**V**otre train prêt à faire fonctionner LionChief est livré avec un dispositif d'alimentation CC, une télécommande LionChief, une locomotive LionChief équipée, du matériel roulant, et une voie ferrée Fastrack formant une énorme boucle, avec une section secteur pour montage « prêt-à-brancher ».

Votre locomotive fonctionne sur tension fixe, qui est optimale pour le système audio, le système de fumée, et les lampes. La locomotive reçoit les commandes de la télécommande LionChief à une fréquence spécifique pour augmenter ou diminuer la vitesse, changer de direction, ou déclencher des sons. C'est pourquoi la locomotive et la télécommande doivent être utilisées par paire.

Le dispositif d'alimentation CC est capable de faire fonctionner la locomotive et les wagons qui viennent avec cette série, en plus de quelques wagons et accessoires supplémentaires, en fonction de la puissance dont ils ont besoin. Gardez à l'esprit que votre locomotive peut fonctionner sur courant alternatif aussi, de sorte que vous pouvez choisir de mettre à niveau vers la plupart des transformateurs CA Lionel ou compatible à Lionel (vendus séparément chez votre détaillant autorisé Lionel) lorsque vous agrandissez votre assemblage ferroviaire.

### **Important!**

Faites fonctionner votre assemblage ferroviaire seulement avec le dispositif d'alimentation CC OU un transformateur CA. Pas les deux! Aussi, gardez à l'esprit que la plupart des autres locomotives Lionel nécessitent une alimentation secteur spécifiquement; consultez les instructions fournies avec les autres locomotives.

Si vous choisissez de faire fonctionner votre locomotive LionChief avec un transformateur, réglez la tension de train à pleine tension (18 volts) et utilisez la télécommande pour faire fonctionner le train et déclencher les sons. La locomotive n'est pas conçue pour recevoir les commandes du régulateur, du bouton de direction, du bouton de klaxon ou du bouton de sonnette sur le transformateur. La locomotive ne répond qu'aux commandes de sa télécommande LionChief.

Gardez à l'esprit que la télécommande fournie avec le train correspond à la locomotive. Cette locomotive et cette télécommande partagent une fréquence, et votre télécommande LionChief ne communiquera pas avec d'autres locomotives. Toutefois les locomotives du même type comme les Berkshire 2-8-4, peuvent partager une fréquence. Lorsque la fréquence est partagée, toutes locomotives du même type sur la voie ferrée répondent ensemble, en même temps, à des commandes provenant d'une télécommande. Pour éviter ce scénario, vous pouvez choisir de ne pas faire fonctionner de multiples de locomotives du même type en même temps.

Sinon, vous pouvez faire fonctionner plus d'une locomotive LionChief équipée sur la voie ferrée en même temps. Vous pouvez également choisir de faire fonctionner votre locomotive LionChief sur un système de commandes LEGACY. Cependant, vous devez utiliser votre télécommande LionChief pour transmettre les commandes à la locomotive LionChief (les locomotives LionChief ne reçoivent pas les commandes de la télécommande LEGACY).

# Aperçu de la télécommande LionChief

## Installation des piles AAA dans la télécommande

**P**our des raisons de sécurité, vous devez utiliser un tournevis cruciforme pour ouvrir le compartiment à piles. Utilisez un tournevis cruciforme pour retirer la vis qui maintient la cache fermée du compartiment à piles et enlevez la cache pour accéder au compartiment des piles (voir la figure 1). Insérez trois piles AAA en alignant les signes « + » et « - » sur les piles et dans le compartiment à piles. Remplacez la cache du compartiment à piles et enclenchez-la en position fermée.

**Important!** Utilisez uniquement des piles alcalines AAA. Utilisez uniquement des piles neuves. Ne mélangez jamais des piles neuves et usagées ou n'utilisez pas des types différents ensemble.

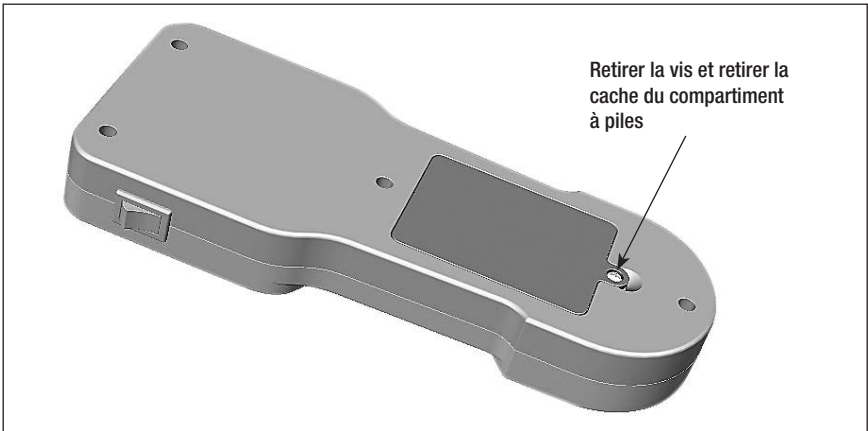


Figure 1. Ouvrir et fermer le compartiment à piles

**Important!** RETIREZ TOUTES LES PILES LORSQUE LE TRAIN NE SERA PAS UTILISÉ PENDANT UNE LONGUE PÉRIODE.

**Important!** Lorsque vous ne faites pas fonctionner le train, mettez l'interrupteur On/Off (marche/arrêt) en position Off (arrêt) pour économiser les piles.

## **Aperçu de la télécommande LionChief**

### **Faire fonctionner le train avec la télécommande LionChief**

---

#### **RÉGULATEUR**

Tournez le régulateur vers la droite pour faire avancer le train et régler sa vitesse. Tournez le régulateur vers la gauche pour faire reculer le train et régler sa vitesse. Pour arrêter le train, il suffit de tourner le régulateur à la position de centre.

#### **TÉMOIN DE VITESSE**

Le témoin rouge restera allumé pendant le fonctionnement normal. Le témoin commencera à clignoter lorsque la locomotive est en mouvement, et le clignotement variera en fonction de la vitesse de la locomotive.

#### **CLOCHE**

La touche CLOCHE activera les sons de cloche sur les locomotives équipées avec cette fonction. Appuyez sur la touche pour déclencher les sons de CLOCHE. Appuyez de nouveau sur la touche pour désactiver la sonnerie.

#### **INTERRUPTEUR ON/OFF**

Pour conserver vos piles, mettez l'interrupteur On/Off (marche/arrêt) en position Off (arrêt) lorsque vous avez terminé de faire fonctionner votre train.

#### **SIFFLET**

La touche SIFFLET activera le sifflet de la locomotive.

#### **ANNONCES**

Appuyez sur la touche du centre pour une série d'annonces qui peuvent varier en fonction du train. Reportez-vous à la page 13 pour de plus amples renseignements.



# **Aperçu de la locomotive LionChief**

## **Aperçu de la locomotive**

---

**V**otre locomotive LionChief est conçue pour fonctionner avec les commandes de sa télécommande LionChief correspondante. Vous pouvez choisir de l'alimenter avec le dispositif d'alimentation inclus avec cet ensemble de train prêt à faire fonctionner, ou vous pouvez choisir d'agrandir et de mettre à niveau vers pratiquement n'importe quel transformateur CA Lionel ou un transformateur CA compatible. Même les transformateurs CC fonctionneront pour alimenter cette locomotive particulière!

### **Fumée**

Votre locomotive comporte un dispositif de fumée qui produit de la fumée blanche sans danger et propre. Gardez toujours une petite quantité de liquide à fumée dans le dispositif de fumée lorsque vous faites fonctionner votre locomotive avec le dispositif de fumée en position On (marche). Faites glisser l'interrupteur du dispositif de fumée en position Off (arrêt) si vous ne voulez pas faire fonctionner la locomotive avec de la fumée ou vous choisissez de ne pas ajouter de liquide à fumée. Pour de plus amples renseignements, reportez-vous à la page 11.

Du liquide à fumée Lionel supplémentaire (6-37841) est vendu séparément une fois que vous avez épuisé l'échantillon.

### **Système de son LionChief RC**

Votre locomotive comporte une large gamme de sons à rendre le fonctionnement plus réaliste et impressionnant! Les sons d'avancement de locomotive à vapeur sont coordonnés avec les explosions de fumée de la cheminée, et ils augmentent avec la vitesse de la locomotive. Vous pouvez choisir d'activer les sons d'avancement de locomotive à vapeur en faisant glisser l'interrupteur en position d'arrêt. Consultez la page 15.

Utilisez les touches de sifflet, de cloche, et d'annonce sur la télécommande LionChief pour déclencher ces sons. Reportez-vous à la page 7 pour de plus amples renseignements.

Gardez à l'esprit que le haut-parleur est situé dans le ravitailleur. Assurez-vous que le bras d'attelage est correctement connecté pour permettre un bon contact électrique.

### **Entretien et maintenance**

Quelques précautions simples vous aideront à assurer une longue vie à la locomotive :

- Lubrifiez les roues, les essieux, et l'attelage régulièrement pour éviter les grincements et l'usure. Reportez-vous à la page 16 pour plus de détails.
- Ne pincez pas et ne pliez pas les barres latérales et les bras d'attelage lors de la manipulation et l'emballage de la locomotive afin d'empêcher le grippage.

# Premiers pas pour faire fonctionner vos trains

## Construire l'aménagement Lionel

**V**otre ensemble comprend huit sections de voie ferrée courbées, trois sections de voie ferrée droites de 10 po et une section secteur de voie ferrée. La figure 2 donne un exemple d'aménagement ovale qui peut être réalisé avec ces sections. En ajoutant plus de sections de voie ferrée FasTrack, vous pouvez créer un nombre sans fin d'aménagements pour plus de plaisir, d'action et de diversité.

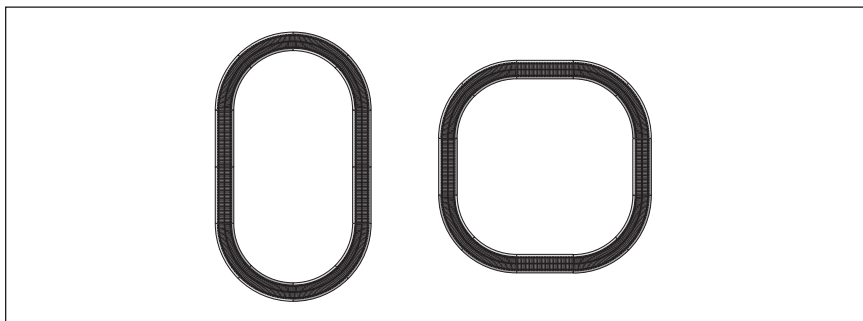


Figure 2. Aménagement de la voie ferrée

## Assembler les sections de voie ferrée Fastrack

**L**es sections de voie ferrée FasTrack peuvent être assemblées facilement. Grâce aux plates-formes interverrouillantes et aux grosses languettes de rail, la voie ferrée s'assemble de manière sûre pour un bon contact électrique en tout temps. La Figure 3 illustre la façon d'assembler les sections de voie ferrée.

1. Placez les deux sections de voie ferrée bout à bout.
2. Insérez les languettes de la voie ferrée dans les ouvertures à l'extrémité des rails correspondants.
3. Appuyez sur les sections jusqu'à ce que les plates-formes interverrouillantes s'enclenchent ensemble.

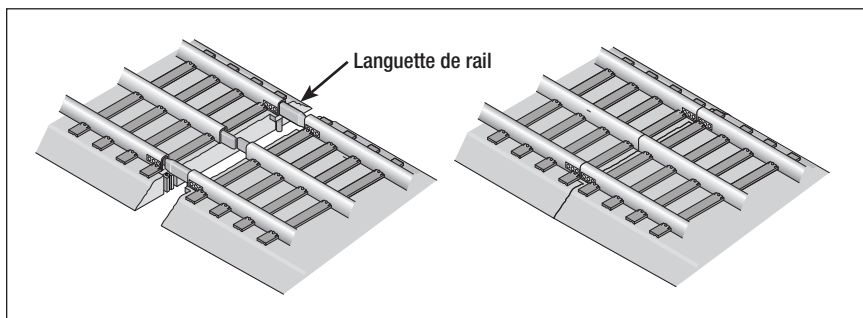


Figure 3. Assemblage des sections de voie ferrée

# **Premiers pas pour faire fonctionner vos trains**

## **Câbler le dispositif d'alimentation**

---

**V**os trains sont alimentés par un dispositif d'alimentation CC. Pour alimenter la voie ferrée, il suffit de brancher le dispositif d'alimentation dans une prise électrique et branchez le connecteur mâle dans la section secteur comme illustré à la figure 4.

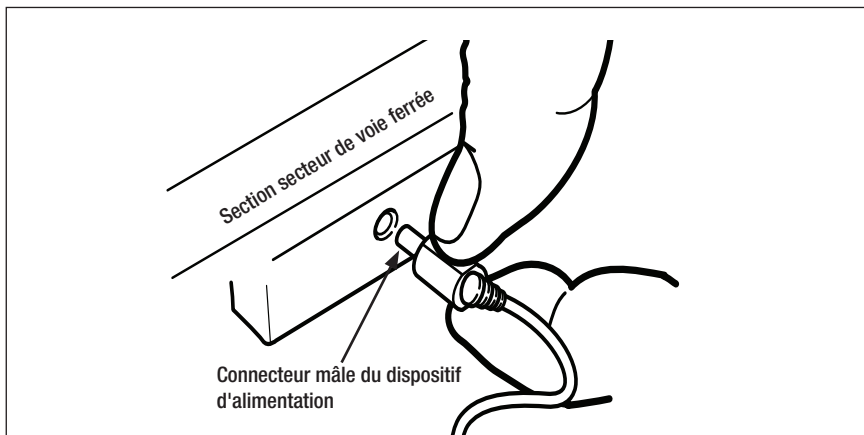


Figure 4. Connexion du dispositif d'alimentation

# ***Comment faire fonctionner le train***

## **Ajouter du liquide à fumée au générateur de fumée de la locomotive**

---

**V**otre locomotive est équipée d'un générateur de fumée qui produit de la fumée blanche, propre et sans danger lorsque l'interrupteur du dispositif de fumée est à la position ON (marche). Reportez-vous à la figure 7 à la 15 pour connaître l'emplacement de l'interrupteur.

Du liquide à fumée Lionel doit être ajouté régulièrement au générateur de fumée pour que ce dernier puisse fonctionner. L'ensemble comprend un petit flacon de liquide à fumée. Appuyez vers le bas sur le capuchon et dévissez. Percez la pointe de la buse à l'aide d'une aiguille, puis ajoutez quatre gouttes de liquide directement dans la cheminée de la locomotive. La fumée est générée peu de temps après. Elle commencera plus rapidement si vous faites fonctionner votre locomotive à des vitesses plus élevées. Ajoutez du liquide lorsque la production de fumée diminue (environ quatre gouttes). Aucune fumée ne sera produite lorsque la locomotive est arrêtée.

**Remarque!** Si vous préférez faire fonctionner votre locomotive sans fumée ou si choisissez ne pas ajouter de liquide à fumée, faites glisser l'interrupteur à la position OFF (arrêt).

**Mise en garde!** Lorsque l'interrupteur du dispositif de fumée est à la position ON (marche), assurez-vous qu'il y a toujours une petite quantité de liquide à fumée dans le générateur à fumée de la locomotive; l'élément du générateur peut être endommagé s'il fonctionne sans liquide à fumée. Cela est particulièrement vrai si votre locomotive se trouve au point mort pendant une période prolongée sans liquide à fumée dans le générateur.

# Comment faire fonctionner le train

## Premiers pas pour faire fonctionner le train

---

**1**

### **Placez le train sur la voie ferrée après avoir coupé l'alimentation.**

Reportez-vous à la section suivante pour les instructions sur la façon d'accoupler les wagons..

**2**

### **Connectez le bras d'attelage entre la locomotive et le ravitailleur.**

Insérez la languette du bras d'attelage de la locomotive dans la fente du bras d'attelage du ravitailleur, comme illustré à la figure 5. Notez que l'attelage de la locomotive et du ravitailleur permet une connexion électronique. Assurez-vous de bien connecter pour assurer un bon contact électrique.

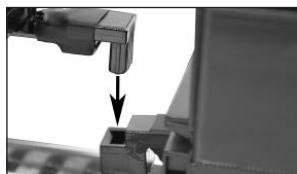


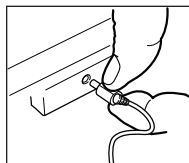
Figure 5. Connexion d'attelage

### **Mise en garde!**

Pour éviter d'endommager l'électronique, accouplez la locomotive et le ravitailleur dans cette série uniquement. Ne mélangez pas et n'appareillez pas les locomotives et les ravitailleurs LionChief.

**3**

### **Branchez votre dispositif d'alimentation, connectez-le à la voie ferrée, et mettez la télécommande sous tension.**



**4**

### **4 Mettez-les en marche!**

Utilisez votre télécommande pour faire fonctionner votre train. Vous pouvez ajuster la vitesse en marche avant ou arrière, donner un coup de sifflet, faire retentir la cloche, ou déclencher une annonce. Reportez-vous à la page 14 pour plus de détails.



**5**

### **Débranchez le dispositif d'alimentation lorsque vous avez terminé de faire fonctionner vos trains.**

Éteignez votre télécommande pour économiser les piles.



# ***Comment faire fonctionner le train***

## **Déclencher les annonces avec la télécommande LionChief**

---

**V**otre locomotive diffuse une série d'annonces qui sont conçues pour correspondre à la façon dont vous jouez avec la locomotive. Vous pouvez déclencher une annonce qui correspond à chaque partie du voyage.

### **Lorsque la locomotive est...**

### **Les annonces diffusées sont...**

Stationnaire :

Appuyez sur la touche Annonce : Annonce 1

Appuyez sur la touche Annonce : Annonce 2

En déplacement :

Appuyez sur la touche Annonce : Annonce 1

Appuyez sur la touche Annonce : Annonce 2

Appuyez sur la touche Annonce : Annonce 3

# Comment faire fonctionner le train

## Attelage

---

**A**u moment d'atteler les wagons, au moins un des dispositifs d'attelage doit être ouvert, comme indiqué à la figure 6 ci-contre. Appuyez vers le bas sur le désenclencheur pour ouvrir le dispositif d'attelage, puis poussez les wagons l'un vers l'autre jusqu'à ce qu'ils se verrouillent ensemble.

**Remarque!** Souvenez-vous qu'il est plus facile d'atteler les wagons sur une section de voie ferrée droite.

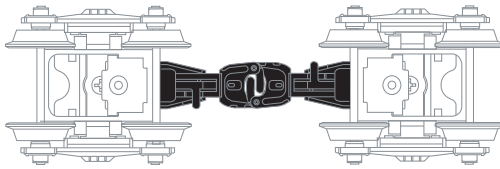
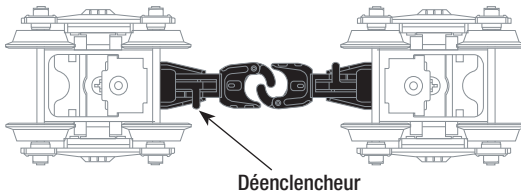


Figure 6. Fonctionnement de l'attelage

# Comment faire fonctionner le train

## Réduire au silence le bruitage de locomotive à vapeur

**P**our faire taire les bruits de vapeur de fond, faites glisser l'interrupteur CHUFF (bruitage de locomotive à vapeur) à la position OFF (arrêt) sous le châssis. Voir figure 7. Coupez l'alimentation électrique de la voie ferrée pendant environ deux secondes, puis le bruit de fond sera réduit au silence une fois que l'alimentation de la voie ferrée est rétablie. Le coup de sifflet, l'annonce, et les sons de cloche peuvent toujours être déclenchés à tout moment en utilisant la télécommande. Pour restaurer les sons de fond, il suffit de glisser l'interrupteur Chuff à la position ON (marche), puis coupez l'alimentation électrique de la voie ferrée pendant deux secondes ou plus

**Remarque!** Coupez toujours l'alimentation électrique de la voie ferrée pendant environ deux secondes après que vous faites glisser l'interrupteur. Les bruits de fond se feront entendre de nouveau en fonction de la nouvelle position de l'interrupteur lorsque la voie ferrée est mise sous tension de nouveau.

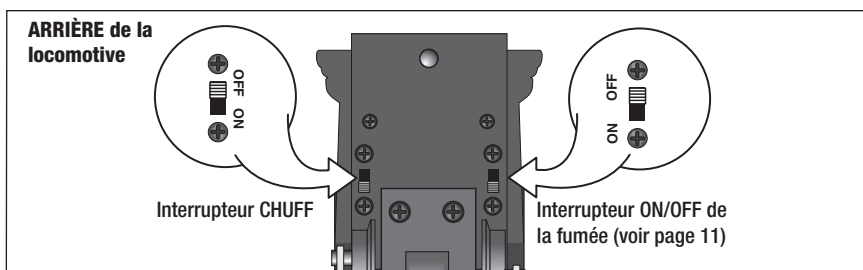


Figure 7. Emplacement des interrupteurs

# Entretien et réparation du train

## Lubrifier la locomotive

**A**idez votre locomotive à vapeur à avoir une longue vie productive sur votre voie ferrée grâce à un entretien adéquat.

Nous vous recommandons d'acheter la trousse de lubrification et d'entretien Lionel (6-62927), disponible auprès de votre concessionnaire Lionel. Vous devez vous souvenir de deux règles de base : ne jamais trop lubrifier (une petite quantité suffit) et éviter de mettre de la graisse ou de l'huile sur les roues de la locomotive, les rouleaux de contact ou la voie ferrée.

Vous pourrez constater que votre locomotive a besoin d'être lubrifiée lorsqu'une inspection visuelle révèle des zones sèches sur les pièces indiquées à la Figure 8 et sur les essieux du ravi-tailleur. Enlevez la saleté et la poussière accumulée avant de lubrifier et lubrifiez toujours les locomotives qui ont été entreposées longtemps.

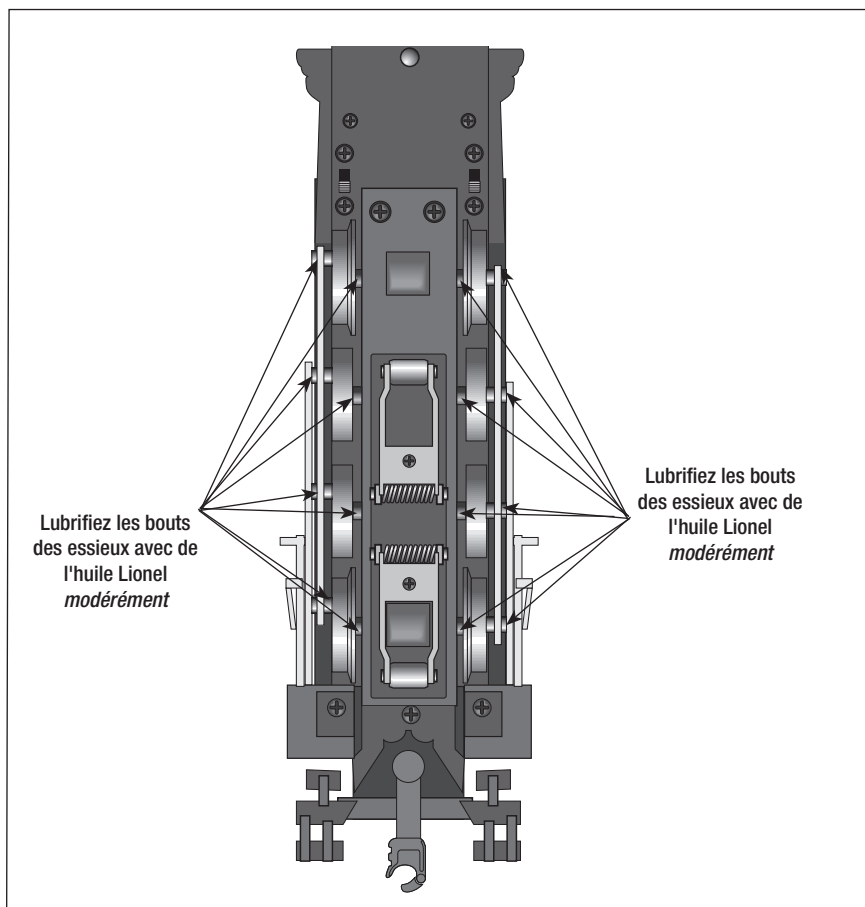


Figure 8. Points de lubrification

# Entretien et réparation du train

## Remplacer la traction de pneu de la locomotive

L'une des roues d'entraînement de la locomotive est munie d'une roue de traction en caoutchouc afin d'améliorer l'effort de traction, ce qui permet à votre locomotive de tirer plusieurs wagons à la fois.

Pour remplacer le pneu de traction, dévissez simplement l'écrou de la tige de commande de la roue à l'aide d'un tournevis à douille de 3/16 po. Reportez-vous à la figure 9. Enlevez le pneu de traction usé de sous la tige de commande et installez le pneu de remplacement, n° de pièce Lionel 6000222108. Remplacez l'entretoise, resserrez l'écrou de la tige d'entraînement, et vous voilà de nouveau prêt à tirer ce long chargement jusqu'à la gare de triage.

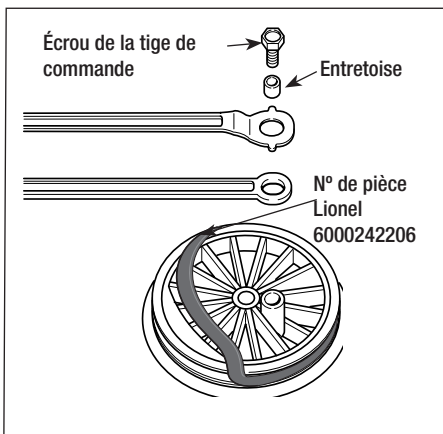


Figure 9. Remplacement du pneu de traction

## Remplacer le phare de la locomotive

Votre locomotive est munie d'un phare à DEL pour une durée de vie accrue. Veuillez contacter le centre de réparations Lionel de votre région ou le service de réparations Lionel si vous devez remplacer cette pièce.

# Entretien et réparation du train

## Éléments de base du wagon-tombereau animé

**V**otre ensemble inclut un wagon-tombereau animé. Lorsque le wagon-tombereau est attaché à votre train, les personnages se donneront la chasse pendant que le train roule. Ce wagon-tombereau est doté d'un mécanisme de transmission par engrenages qui projette les deux personnages autour de la pile de la cargaison au milieu du wagon-tombereau lorsqu'il se déplace.

**Nota!** Si l'arrêteur des caisses de fret se détache, veillez à le repousser complètement vers le bas.

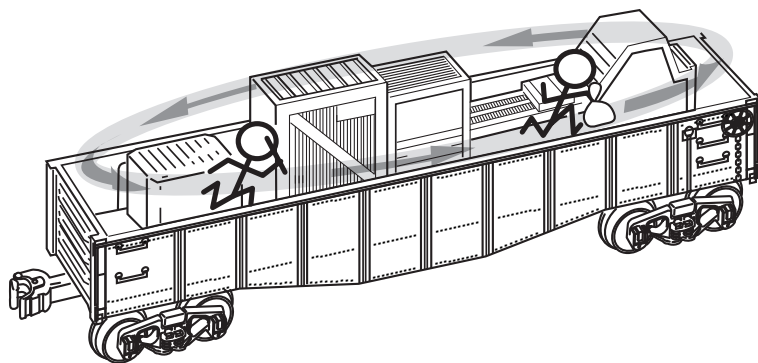


Illustration 10. Mouvement des personnages

## Lubrifier l'engrenage de votre wagon-tombereau animé

**O**ccasionnellement, l'engrenage usé peut nécessiter un graissage. Vous pouvez juger de cette situation par une inspection périodique. Si vous voyez peu ou pas de graisse dans l'engrenage, il est alors temps d'en ajouter, mais modérément.

*L'engrenage doit être lubrifié périodiquement. Il est recommandé d'utiliser le lubrifiant Lionel no 606-2927-000 à usages divers. Il est disponible chez votre centre de service autorisé Lionel le plus près de chez vous.*

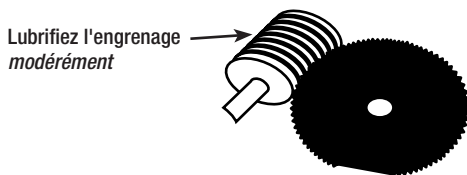


Illustration 11. Lubrification de l'engrenage

# Entretien et réparation du train

## Remplacer la lampe de la fenêtre carrée du wagon de queue

**P**our remplacer la lampe à l'intérieur du wagon de queue, tirez d'abord sur la languette du cadre d'extrémité dans la fente formée par le corps du wagon de queue et le toit. Les cadres d'extrémité sont fixés à la plate-forme par des charnières qui leur permettent de basculer vers l'extérieur en s'éloignant du corps. Ensuite, soulevez le toit de la coquille de fenêtre et du corps. La coquille de fenêtre est maintenue en place par quatre languettes sur les côtés de la coquille (deux de chaque côté) qui se verrouillent dans les fenêtres sur le wagon de queue. Pour retirer la coquille de fenêtre, séparez délicatement les côtés du wagon de queue tout en tirant sur la coquille de fenêtre vers le haut jusqu'à ce que les languettes soient désenclenchées des fenêtres. Retirez la coquille de la fenêtre. Tirez sur la lampe vers le haut de manière à la faire sortir de la douille. Remplacez-la par la pièce Lionel n° 620-5100-300, disponible auprès du centre de réparations Lionel autorisé de votre région ou du service de réparations Lionel à Concord, NC.

Remettez la coquille de la fenêtre en place dans le corps et assurez-vous que les languettes s'enclenchent dans les fenêtres. Replacez le toit au-dessus de la coquille de la fenêtre et du corps, insérez les languettes dans les cadres d'extrémité correspondant aux fentes dans le corps, puis appuyez sur le toit vers le bas afin d'enclencher les languettes de cadre d'extrémité.

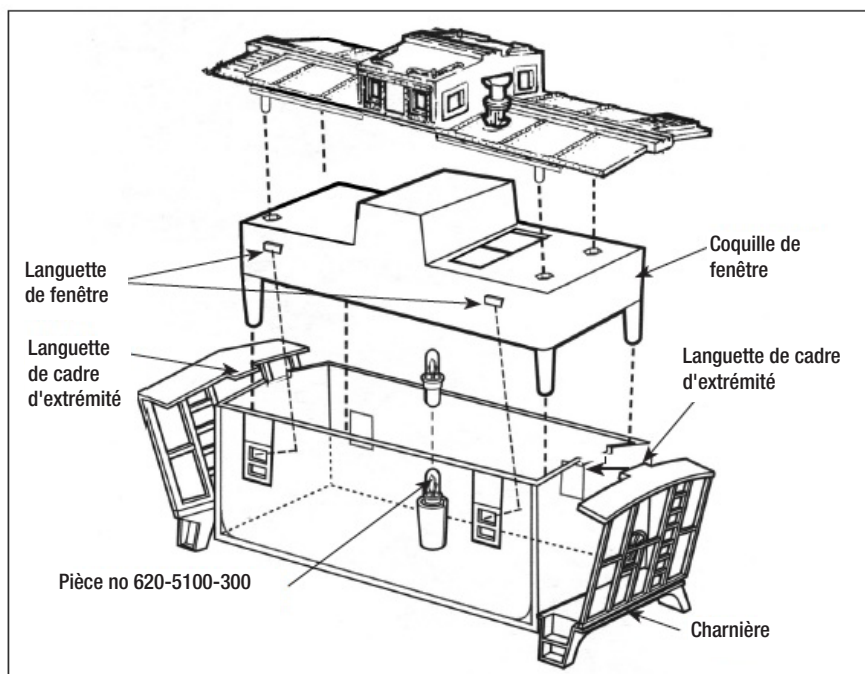


Figure 12. Remplacement de la lampe du wagon de queue

# Dépannage LionChief

**Problème : Le témoin DEL d'alimentation sur la section secteur de la voie ferrée est éteint.**

**Solution :**

Si l'une des roues du train n'est pas correctement positionnée sur le rail, un court-circuit se produit et le disjoncteur à l'intérieur du transformateur empêchera la mise sous tension de la voie ferrée jusqu'à ce qu'à l'élimination du court-circuit.

Retirez la locomotive et tous les wagons de la voie ferrée et vérifiez pour voir si le témoin DEL est allumé. S'il n'est pas allumé, débranchez la voie ferrée d'une pièce à la fois jusqu'à ce que le témoin DEL s'allume. Si le problème est une section de la voie ferrée, le témoin DEL s'allumera une fois cette section de voie ferrée est retirée de l'aménagement.

Déconnectez maintenant le connecteur femelle de la section secteur et placez un seul wagon sur la voie ferrée et puis reconnectez le connecteur femelle dans la section secteur. Le témoin DEL doit être allumé. S'il ne s'allume, débranchez à nouveau et placez un autre wagon sur la voie ferrée. Répétez ce processus jusqu'à ce que l'ensemble du train, y compris la locomotive, est sur la voie ferrée.

**Problème : Un ou plusieurs des wagons illuminés ne s'allument pas.**

**Solution :**

Les lampes dans votre train sont conçues pour un remplacement facile dans le cas où elles sont grillées. Il est possible que la lampe se déconnecte pendant le transport; en tant que tel, nous vous conseillons de vérifier d'abord la lampe dans sa douille afin de s'assurer qu'elle est bien en place.

Les lampes à l'intérieur des wagons et de la locomotive tirent leur puissance des rails. Il y a deux fils reliés à des bogies sur chaque wagon éclairé. Un fil est relié au galet au centre du rail, et un fil est relié à un contact pour les essieux qui se trouvent à l'extérieur des rails. Du fait que les bogies sont en mesure de pivoter dans les deux sens, il est possible que l'un ou les deux de ces fils se déconnectent de ces contacts et provoquent un court-circuit quand ils se touchent les uns les autres. Les fils peuvent être reconnectés en les soudant à leurs contacts. La personne effectuant cette opération doit être un adulte. Autrement, vous pouvez faire réparer le produit par un centre de réparations Lionel autorisé de votre région.

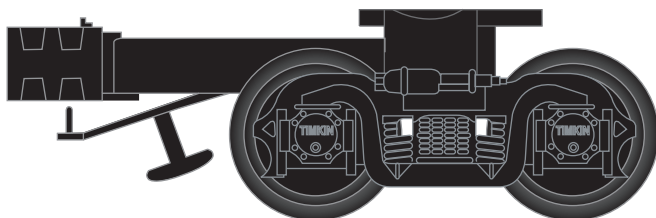
**Problème : Les wagons ne restent pas attelés l'un à l'autre.**

**Solution :**

Les dispositifs d'attelage sur chaque wagon sont équipés d'un piston de dételage, qui vous permet de déteiler les wagons en utilisant une section de dételage. Ces pistons comportent une goupille qui maintient la mâchoire d'attelage fermée. Dans certains cas, le plongeur doit être légèrement courbé vers le haut pour assurer que la goupille maintient la mâchoire d'attelage fermée. Utilisez une paire de pinces à bec effilé pour plier le piston légèrement vers le haut. Cette opération est indiquée dans l'illustration ci-dessous.



## Dépannage LionChief (suite)



**Problème : Je n'entends pas les sons de la locomotive.**

**Solution :**

Le bras d'attelage, qui relie la locomotive à son ravitailleur, sert à deux fins. Il relie la locomotive et le ravitailleur ensemble et il sert d'attache à quatre fils conducteurs assurant la connexion des fils conducteurs des électroniques de haut-parleur à l'intérieur de la locomotive aux fils conducteurs du haut-parleur à l'intérieur du ravitailleur. Assurez le côté mâle du bras d'attelage (côté locomotive) est entièrement et correctement inséré dans le côté femelle du bras d'attelage (côté ravitailleur) et que les sommets de chaque côté du bras d'attelage sont du même niveau.

Assurez-vous que l'interrupteur On/Off (marche/arrêt) du son est sur « On » (marche) et que la voie ferrée est mise sous tension. Si l'interrupteur est réglé sur la position « Off », seulement le sifflet et la cloche seront entendus lorsque les commandes sont envoyées à la locomotive depuis la télécommande.

**Problème : La locomotive ne crée pas de fumée.**

**Solution :**

Assurez que l'interrupteur On/Off (marche/arrêt) de la fumée est en position « On » (marche). La locomotive doit se déplacer pour créer de la fumée qui est éjectée de la cheminée. La locomotive ne créera pas de fumée lorsqu'elle est stationnaire. Assurez-vous d'ajouter 4-5 gouttes de liquide à fumée Lionel. Il devrait ne prendre que 5-10 secondes pour la création de fumée et à son éjection de la cheminée une fois le train commence à se déplacer. Si vous ne prévoyez pas d'utiliser la fonction de fumée sur cette locomotive, mettez l'interrupteur On/Off (marche/arrêt) de fumée en position « Off » (arrêt), afin d'éviter un dommage au générateur de fumée.

## **Dépannage LionChief (suite)**

**Problème : La télécommande LionChief ne fonctionne pas. Aucune commande n'est envoyée à la locomotive.**

### **Solution :**

Tout d'abord, assurez-vous que la télécommande que vous utilisez pour envoyer des commandes à la locomotive est la bonne, appareillée à cette locomotive. Vérifiez que le nom du chemin de fer et le numéro du chemin de fer imprimés sur la télécommande sont les mêmes que le nom du chemin de fer et le numéro du chemin de fer sur la locomotive que vous essayez de faire fonctionner. Ensuite, assurez-vous d'avoir installé trois nouvelles piles alcalines AAA dans la télécommande et que l'interrupteur On/Off (marche/arrêt) est réglé sur la position « On » (marche).

Le témoin DEL rouge en haut de la télécommande doit être allumé lorsque le régulateur est en position de centre en haut.

Le témoin DEL commence à clignoter lorsque le régulateur est tourné, quelque soit le sens, de lentement à rapidement, imitant la vitesse que vous définissez pour la locomotive. Les sons de la locomotive se feront entendre lorsque vous tentez de faire déplacer le train. Si votre locomotive ne se déplace pas, vous aurez besoin de demander à centre de réparations Lionel autorisé de votre région de réparer la télécommande LionChief sans fil et la locomotive et le ravitailleur ou contactez le service à la clientèle Lionel pour obtenir de l'aide.

# ***Déclarations de la FCC et CNR***

## **Déclarations de la FCC et CNR**

---

Avertissement : Toute modification ou changement apporté à cet équipement sans l'approbation expresse de la partie responsable de sa conformité risque d'annuler le droit de l'utilisateur à se servir de cet équipement.

Notes : Cet équipement a été testé et déclaré conforme aux limites pour appareils numériques de classe B, selon la section 15 des règlements de la FCC. Ces limites sont destinées à assurer une protection raisonnable contre les interférences nuisibles dans une installation résidentielle. Cet équipement produit, utilise et peut émettre de l'énergie radio électrique et, s'il n'est pas installé et utilisé conformément aux présentes instructions, peut causer des interférences nuisibles aux communications radio.

Cependant, il se peut que des interférences se produisent dans une installation particulière. En cas d'interférences avec la réception radiophonique ou télévisuelle, qui peuvent être vérifiées en mettant l'équipement hors, puis sous tension, l'utilisateur peut tenter de résoudre le problème de l'une des façons suivantes :

- Réorientez ou déplacez l'antenne réceptrice.
- Augmentez la distance entre l'équipement et le récepteur.
- Branchez l'équipement à une prise de courant faisant partie d'un autre circuit que celui sur lequel est branché le récepteur.
- Consultez le fournisseur ou un technicien expérimenté en radio/télévision afin d'obtenir de l'assistance.

**Cet appareil est conforme aux normes RSS exemptes de licence d'Industrie Canada. Son fonctionnement est assujéti aux deux conditions suivantes : (1) cet appareil ne peut pas causer de brouillage et (2) cet appareil doit accepter tout brouillage reçu, y compris un brouillage pouvant causer un fonctionnement non désiré.**

**Le présent appareil est conforme aux CNR d'Industrie Canada applicables aux appareils radio exempts de licence. L'exploitation est autorisée aux deux conditions suivantes : (1) l'appareil ne doit pas produire de brouillage, et (2) l'utilisateur de l'appareil doit accepter tout brouillage radioélectrique subi, même si le brouillage est susceptible d'en compromettre le fonctionnement.**

**Parents! L'adaptateur doit être examiné périodiquement pour des conditions pouvant provoquer un incendie, une décharge électrique ou blesser des personnes. Advenant que de telles conditions puissent constituer un risque, on ne doit pas utiliser cet appareil tant qu'il n'a pas été adéquatement réparé.**

## Service et politique de garantie limitée de Lionel

Le présent produit Lionel, y compris toutes les composantes mécaniques et électriques, les pièces mobiles, les moteurs et les composantes structurales, à l'exception des **AMPOULES, des éléments à DEL et des PNEUS DE TRACTION**, sont garantis entre les mains du propriétaire-acheteur original pendant une période d'un an à partir de la date d'achat originale contre toute défectuosité du matériel original ou tout défaut de fabrication lorsque le produit est acheté auprès d'un détaillant ou d'un magasin de détail Lionel autorisé\*.

La présente garantie **NE** couvre **PAS** ce qui suit :

- Usure normale
- Ampoules ou pièces à DEL
- Défectuosités qui se manifestent en cours d'utilisation commerciale
- Dommages résultant d'une utilisation abusive ou d'un mauvais usage du produit

Le transfert du présent produit par le propriétaire-acheteur original à une autre personne a pour effet de rendre la présente garantie nulle et non avenue dans son intégralité. La modification du présent produit de quelque manière que ce soit, sur les plans visuel, mécanique ou électronique, a pour effet d'annuler la présente garantie dans son intégralité.

Tout produit garanti qui présente des défectuosités du matériel original ou des défauts de fabrication et qui est livré par le **propriétaire-acheteur original** (la présente garantie est non transférables) à Lionel LLC ou à tout poste ou point de service autorisé de Lionel **DOIT** être accompagné du reçu original d'achat (ou d'une copie) d'un **détaillant Lionel autorisé\***. Le produit sera alors réparé ou remplacé, à la discrétion de Lionel LLC, et ce, sans frais liés aux pièces ou à la main-d'œuvre. Au cas où le produit défectueux ne peut pas être réparé et qu'un produit de remplacement approprié n'est pas disponible, Lionel offrira de remplacer le produit par un modèle comparable (**selon ce que Lionel LLC déterminera**), s'il est disponible. Dans le cas où un modèle comparable n'est pas disponible, le client se verra rembourser le prix d'achat original (une preuve d'achat auprès du **détaillant autorisé de Lionel\*** étant exigée).

Tout produit pour lequel le propriétaire-acheteur cherche à faire valoir la garantie de service doit être envoyé frais de poste et de transport payés d'avance (Lionel refusera tout colis pour lequel des frais de poste sont exigibles).

**Les frais de transport et d'expédition ne sont pas couverts par la présente garantie.**

**REMARQUE : Dans le cas des produits qui ont besoin d'entretien et de réparations et pour lesquels aucun reçu d'un DÉTAILLANT AUTORISÉ DE LIONEL\* ne peut être produit, le propriétaire-acheteur devra payer toutes les pièces exigées pour la réparation du produit (la main-d'œuvre est exemptée de frais) pourvu que le produit ne date pas de plus de trois (3) ans à partir de la date de fabrication et que moins d'un an se soit écoulé depuis la date d'achat. Une copie du reçu d'achat original est exigée.**

**Lionel LLC ne sera jamais tenue responsable des dommages consécutifs ou indirects.**

Certains États ne permettent pas l'exclusion ou la limitation des dommages consécutifs ou indirects. Par conséquent, il est possible que l'exclusion ci-dessus ne s'applique pas à vous. La présente garantie vous confère des droits légaux précis et vous pourriez bénéficier également d'autres droits, qui varient d'un État à l'autre.

### **Directives pour obtenir des services d'entretien et de réparations**

Si l'entretien est nécessaire pour ce produit Lionel LLC, apporter l'article, avec votre facture datée et l'information de garantie dûment remplie (au bas de cette page) à l'atelier d'entretien autorisé Lionel le plus proche. Vous pouvez trouver votre atelier d'entretien autorisé Lionel en composant le 1-800-4-LIONEL ou en accédant au site Web au [www.lionel.com](http://www.lionel.com).

Si vous préférez envoyer votre produit Lionel directement chez Lionel, pour réparation, vous devez d'abord appeler au 586-949-4100 poste 2 ou écrire au Service à la clientèle Lionel, 6000 Victory Lane, Concord, NC 28027. Veuillez avoir le numéro de produit Lionel à 6 chiffres, la date d'achat originale, le revendeur où le produit a été acheté et ce qui semble être le problème. Vous recevrez un numéro d'autorisation de retour (AR) pour assurer que votre marchandise soit correctement suivie et traitée lors de sa réception chez Lionel LLC.

Une fois que vous aurez votre autorisation de retour (AR), assurez-vous que l'article soit emballé dans son contenant intérieur original en styromousse qui est placé à l'intérieur de la boîte d'exposition extérieure originale (cela permettra d'éviter les dommages lors de l'expédition et de la manutention). Cette expédition DOIT être prépayée et nous recommandons qu'elle soit assurée par le transporteur de votre choix.

Prière de vous assurer que vous avez soigneusement suivi toutes les instructions ci-dessus avant de retourner toute marchandise pour le service. Vous pouvez choisir de faire réparer votre produit dans un des ateliers locaux d'entretien autorisés de Lionel LLC après que sa garantie eut expiré. Des frais raisonnables pour le service doivent être prévus après l'expiration du délai de garantie du produit.

### **Renseignements sur la garantie**

Veuillez fournir les renseignements demandés ci-dessous et conserver cette section au même endroit que votre **REÇU D'ACHAT ORIGINAL DÛMENT DATÉ**. Vous DEVEZ présenter le présent formulaire **ET** votre **REÇU D'ACHAT DÛMENT DATÉ** lorsque vous demandez des services garantis d'entretien et de réparations.\*Vous pouvez obtenir une liste complète des détaillants autorisés de Lionel en composant le 1-800-4-LIONEL ou en consultant le site Web [www.lionel.com](http://www.lionel.com). Les produits qui datent de plus de trois (3) ans à partir de la date de fabrication ne sont pas admissibles aux fins de la présente garantie, même s'ils n'ont jamais été vendus avant cette date. (Les pièces ou la main-d'œuvre ne seront jamais fournis sans frais, peu importe les circonstances.)

Nom \_\_\_\_\_

Adresse \_\_\_\_\_

Lieu d'achat \_\_\_\_\_

Date d'achat \_\_\_\_\_

Numéro du produit \_\_\_\_\_

Description du produit \_\_\_\_\_

