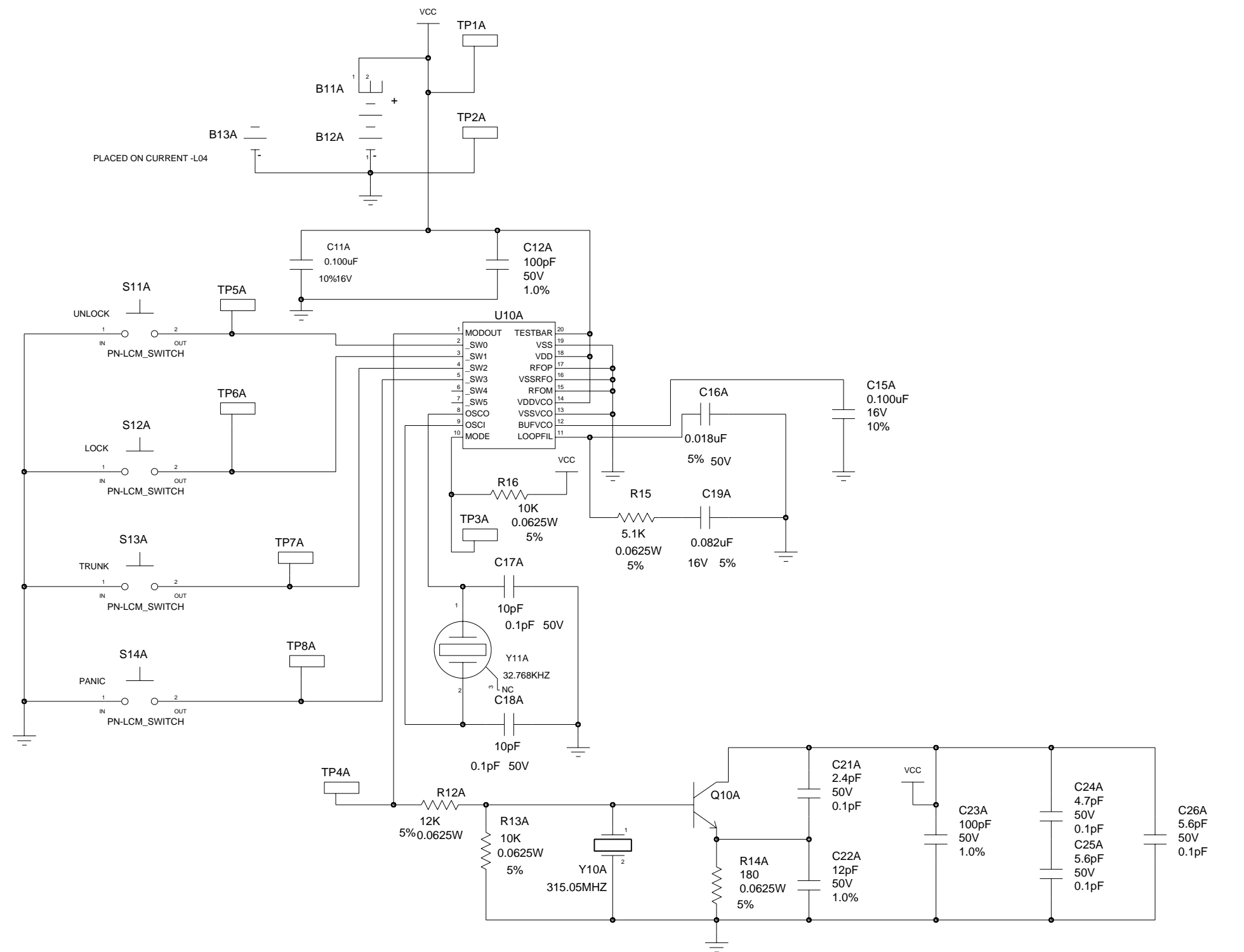


PART NAME
Saturn Transmitter



REFERENCE DOCUMENTS:
ASSEMBLY DWG: REV:
79D43072L AE

ISSUE	RELEASES AND REVISIONS	DATE
AA	RELEASED FOR PRODUCTION	ECN 70144 07/98
AB	B11A was 39C41718L05 C22A was 21R55168N30 C26A was 21R55168J21 R16 WAS ADDED	ECN 70198 09/98
AC	MULTIPLE PART NUMBER CHANGES FOR SINGLE SOURCE	ECN 70733 11/98
AD	ISOLATED Y11A CAN RELEASED --L04 :AC	ECN NB10 0081 11/99
AE	ADDED B13A	ECN NB10 4479 09/01

SATURN
TRANSMITTER
6MX277A03

09/20/2001

local_boards/autobody_sat/m715_c1_sat.xmit.b4/master_layout

SIZE B
SHEET_NO 1 OF 1

THE DRAWING ON THIS PAGE AND INFORMATION THEREWITH ARE PROPRIETARY TO MOTOROLA INC. AND SHALL NOT BE USED IN WHOLE OR IN PART WITHOUT MOTOROLA'S WRITTEN CONSENT.



MOTOROLA INC.
Automotive and Industrial
Electronics Group

DWG. NO. 73D43071L