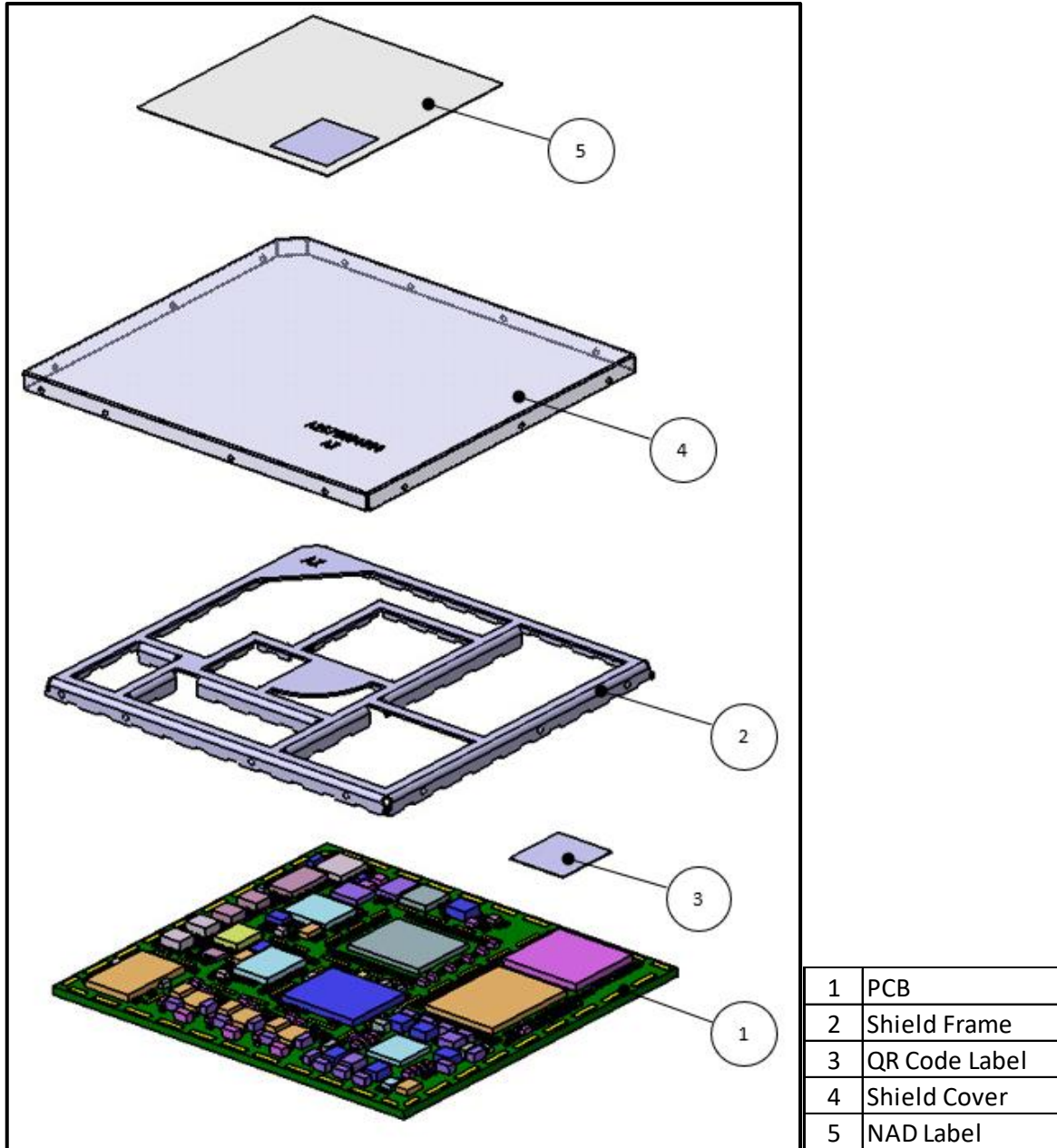


Label with FCC and IC ID information is placed on top of the module and is clearly visible.

**Figure 1: Label placed on top of the module.**



**Figure 2: Module Exploded View**